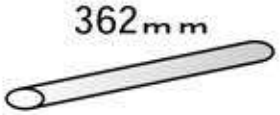
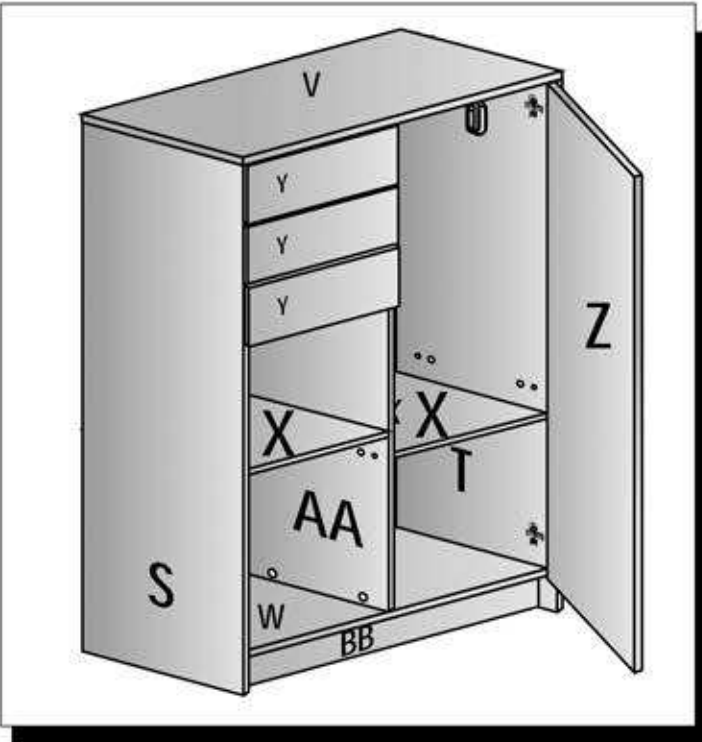
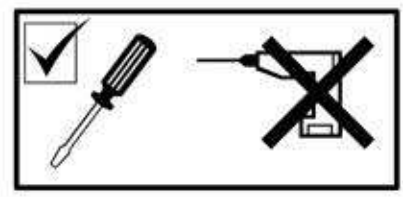


Billy Tall Boy

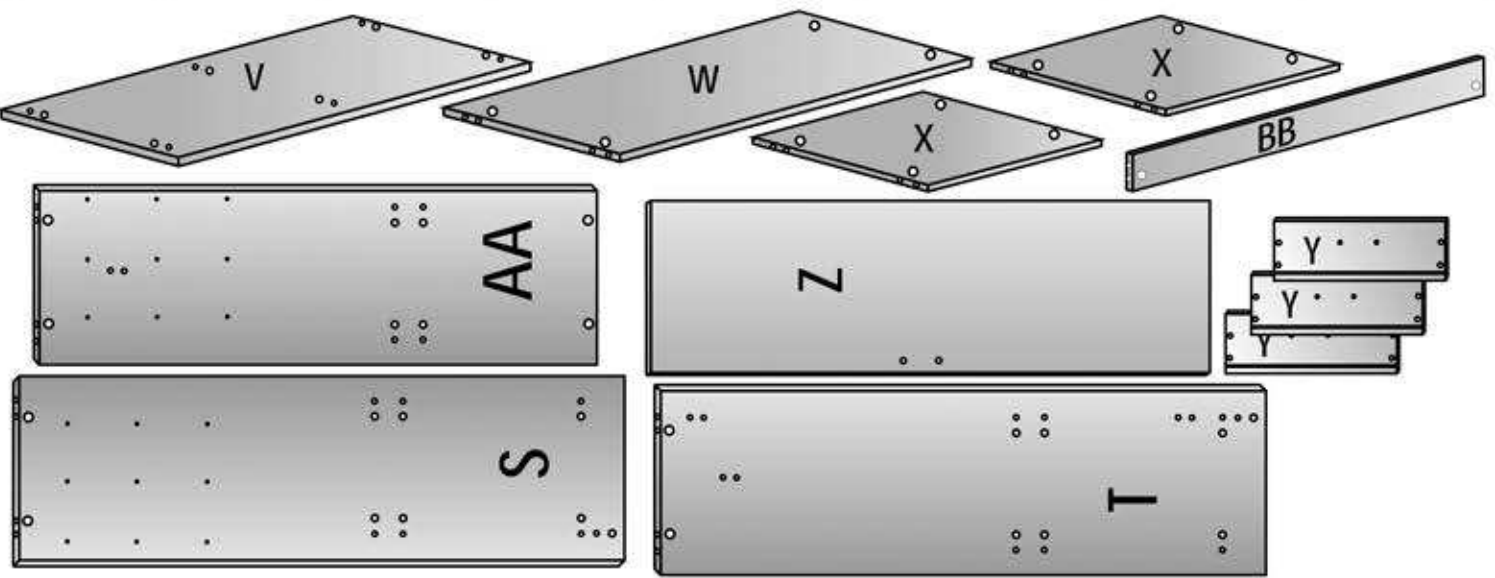


S - 1	Z - 1
T - 1	AA - 1
V - 1	BB - 1
X - 2	W - 1
Y - 3	

3- 35 x 34cm x 3mm
124 x 39cm x 3mm
124 x 39cm x 3mm
White - Wit

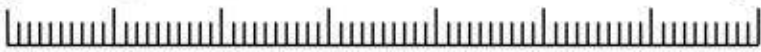


22 '220'	30 '13'	6 '44'	2 '205'	6 '61'	18 '55'	2 '118'
22 '182'	22 '181'	8 '56'	2 '206'	3 '219'	6 '47'	10 '191'



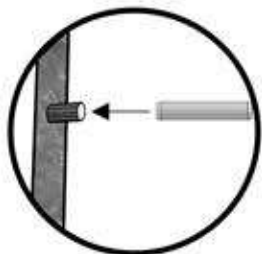
0 10 20 30 40 50 60 70 mm

Office Only BB=W

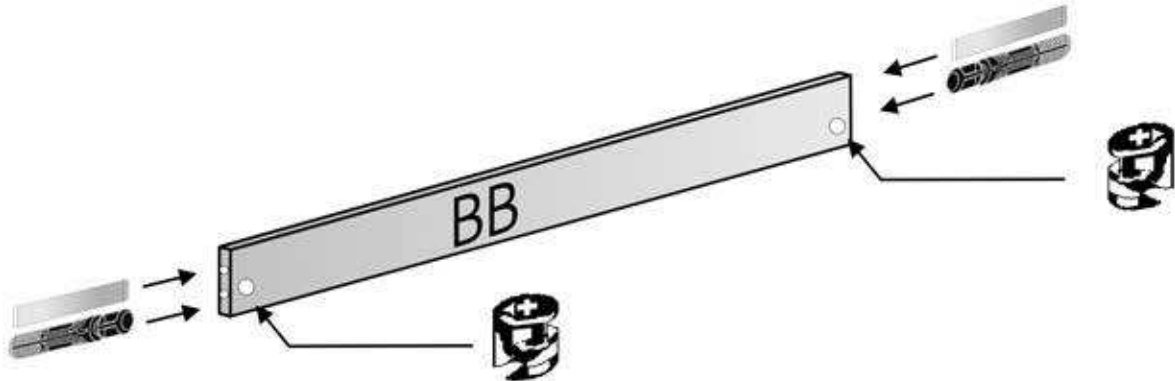
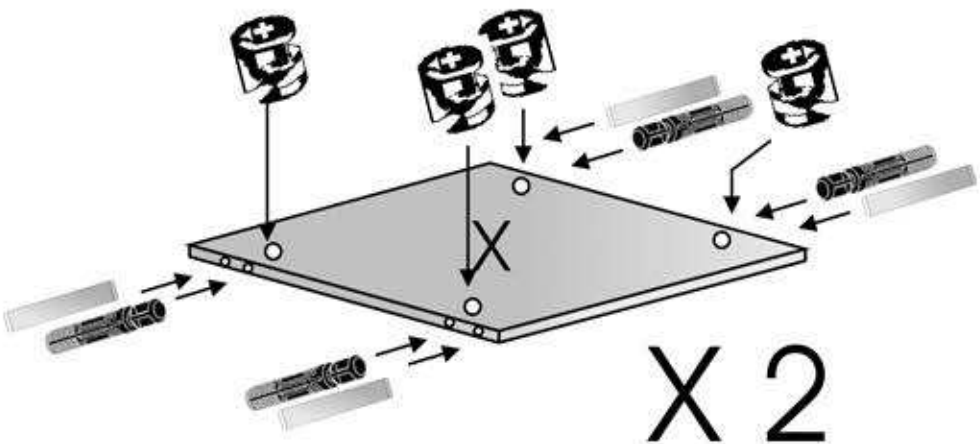
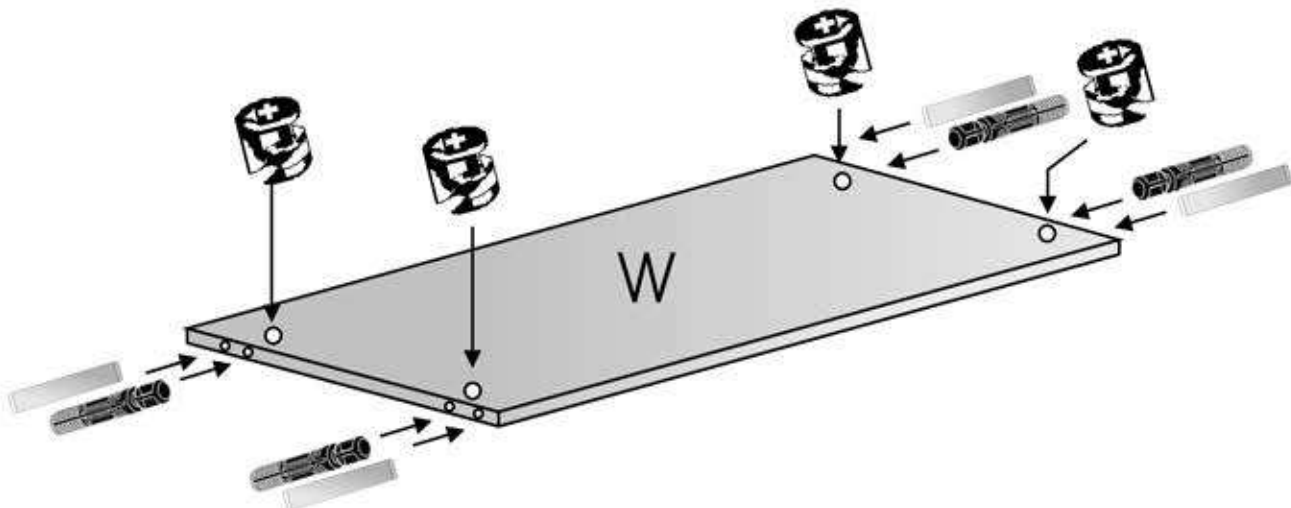








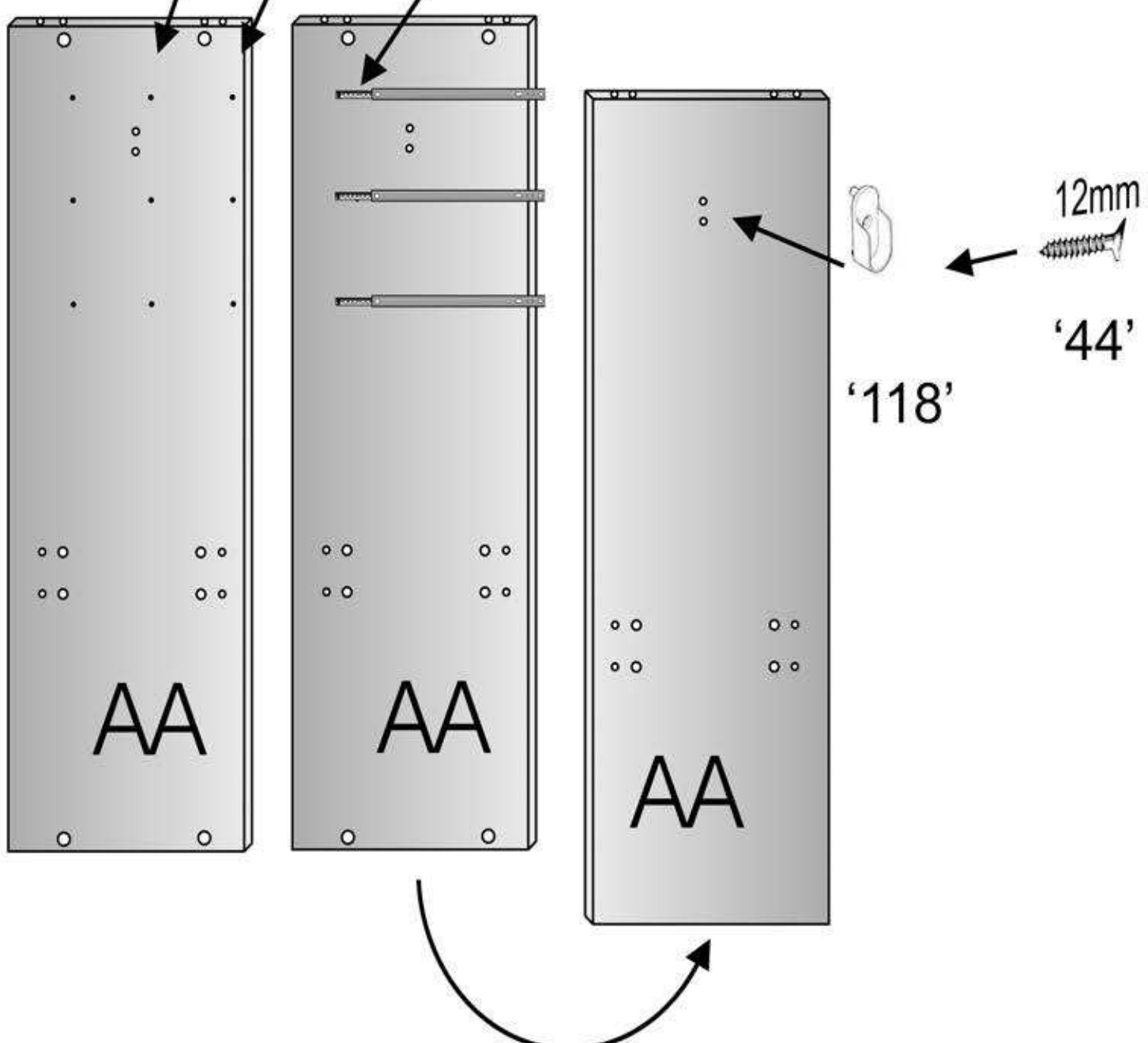
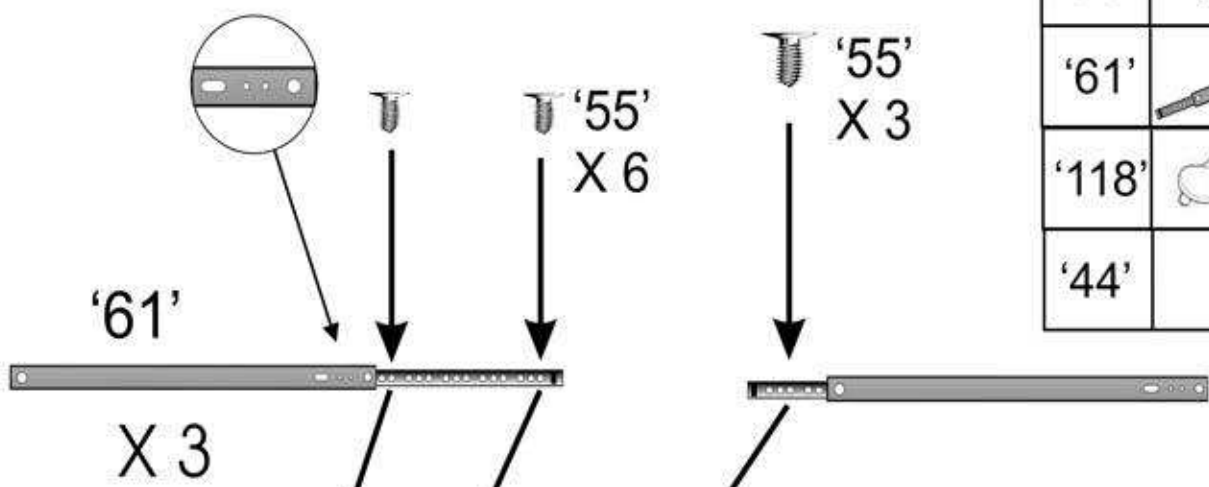
Max
11mm



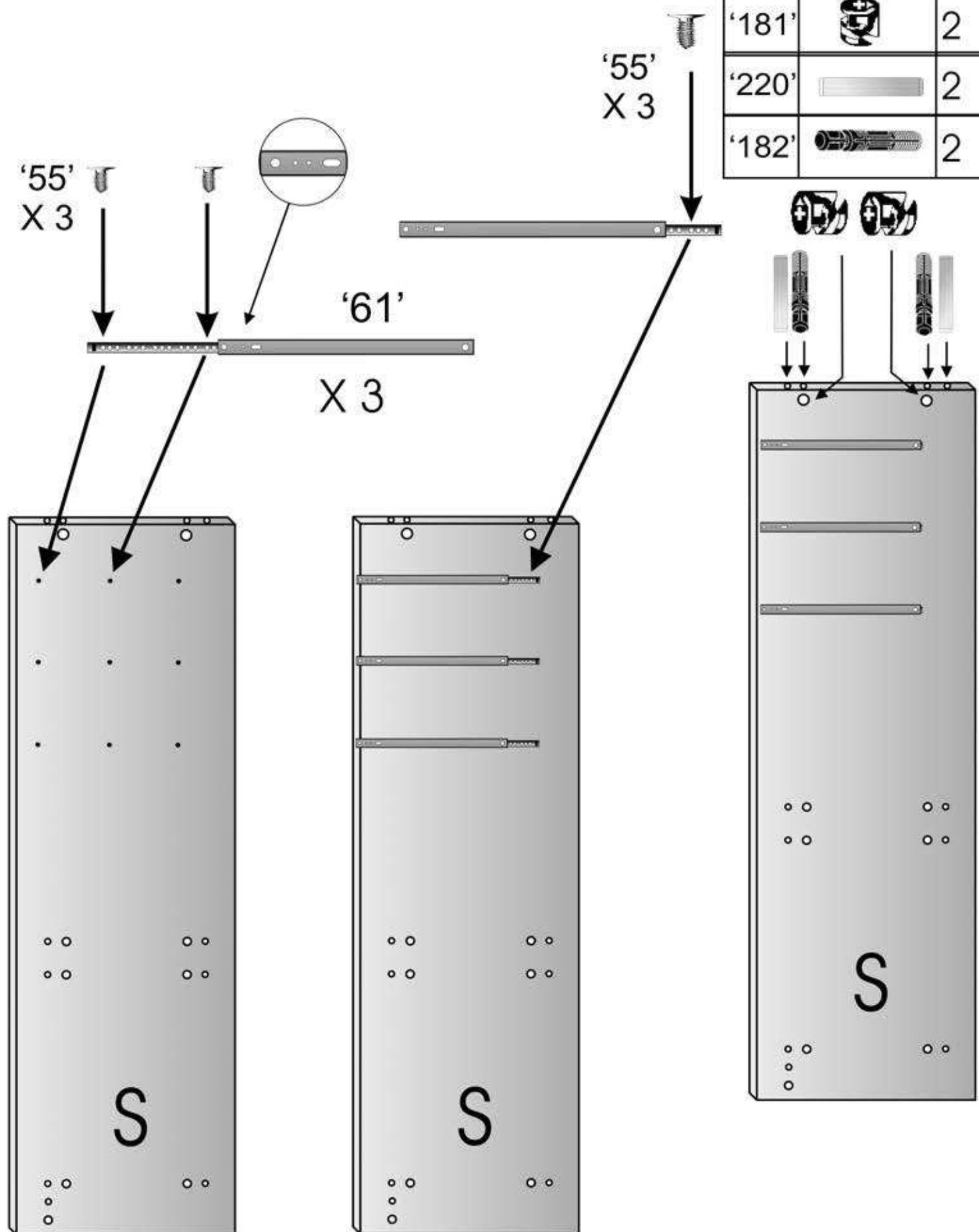
'181'		14
'220'		14
'182'		14









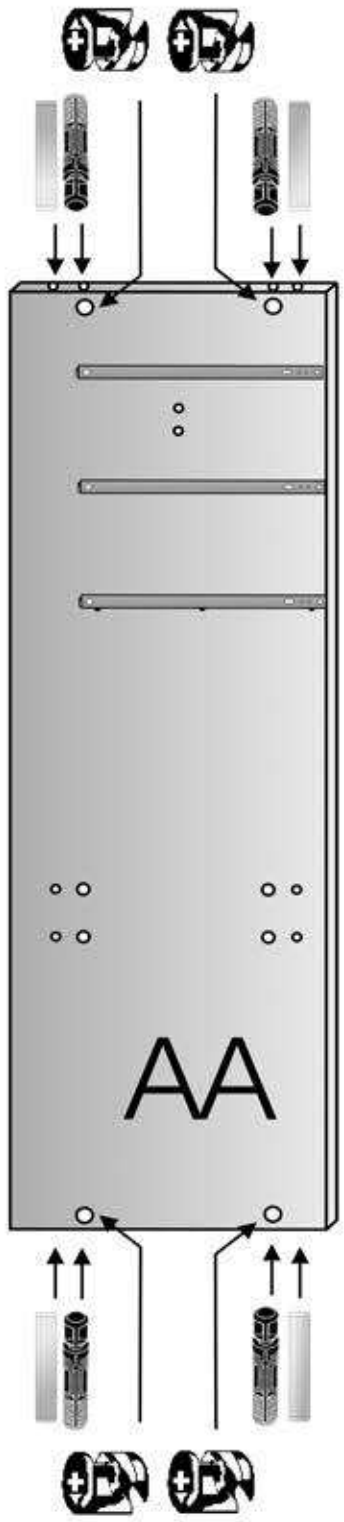
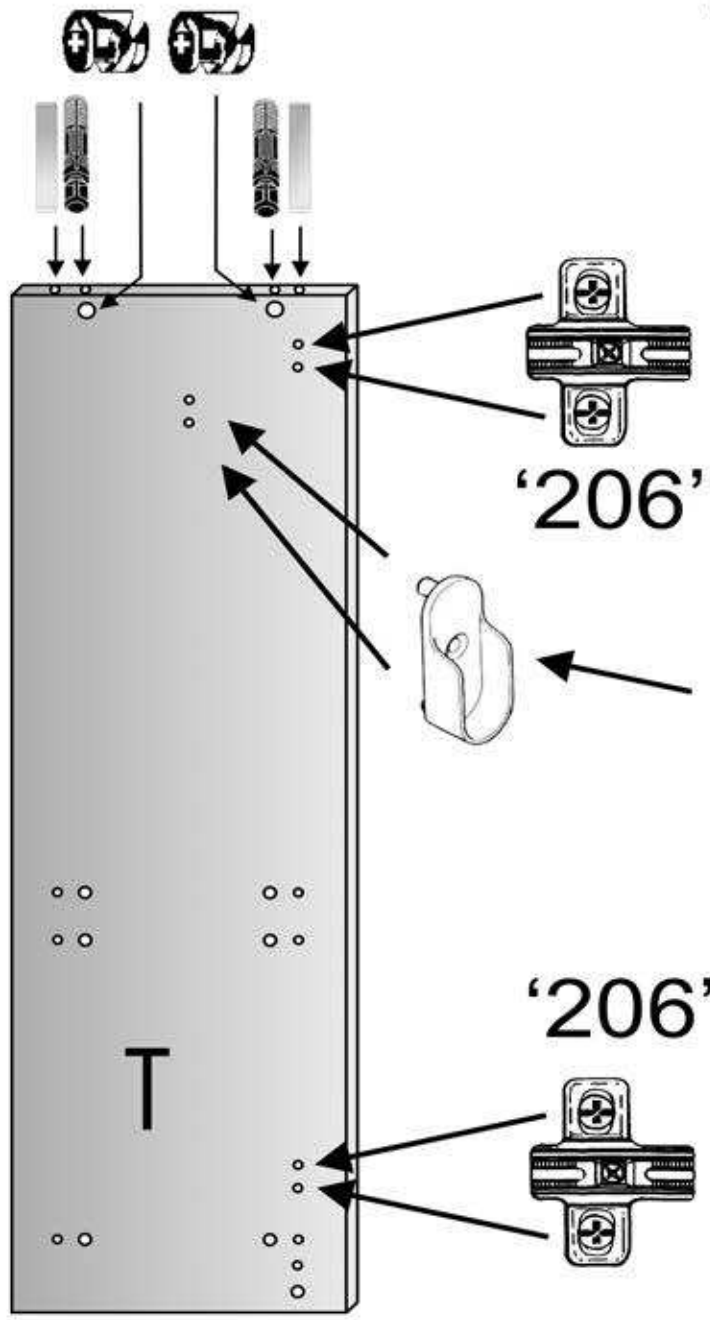
'55'		9
'61'		3
'118'		1
'44'		1

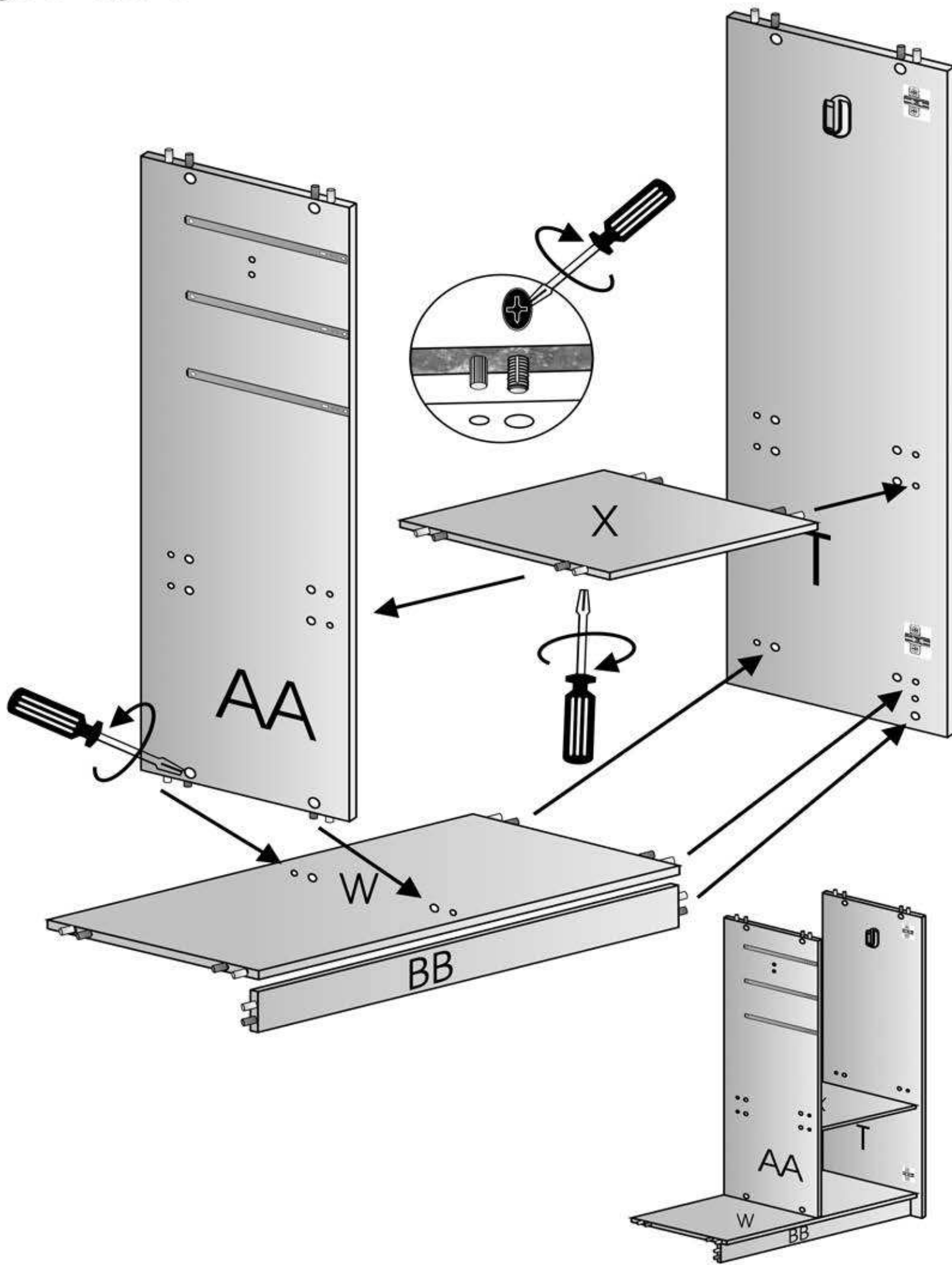


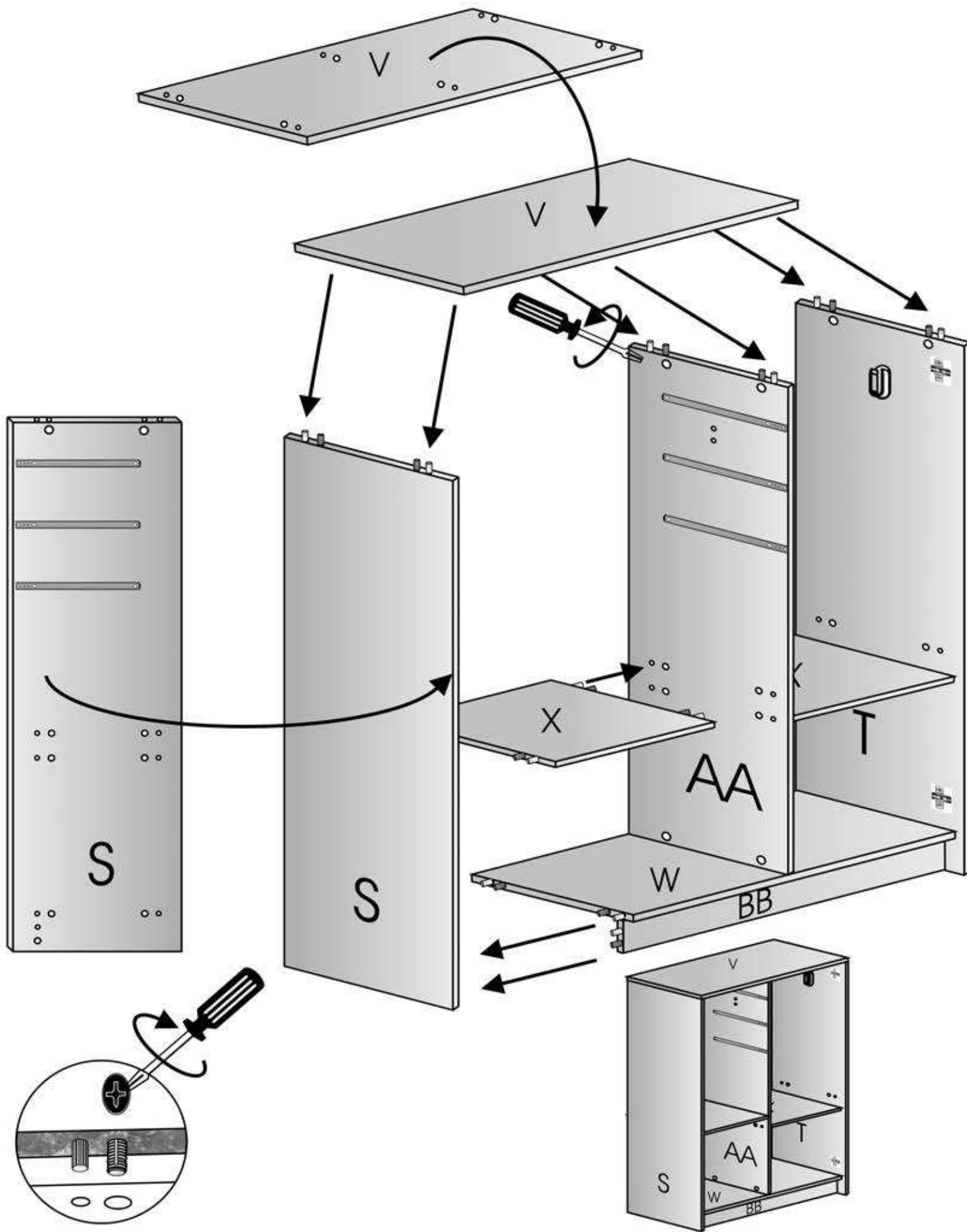
'55'		9
'61'		3
'181'		2
'220'		2
'182'		2





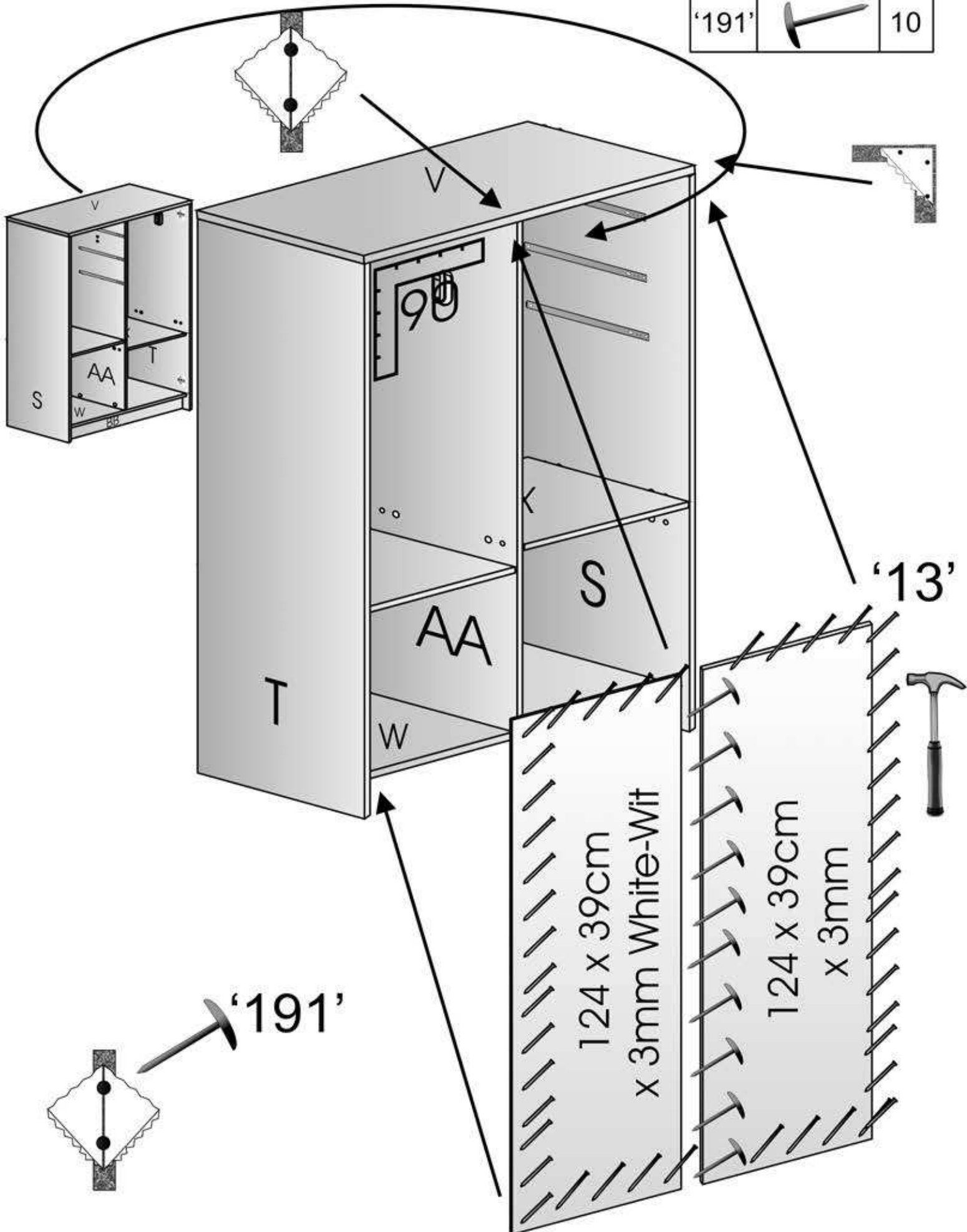
'118'		1	'206'		2
'44'		1	'181'		6
			'220'		6
			'182'		6


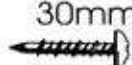


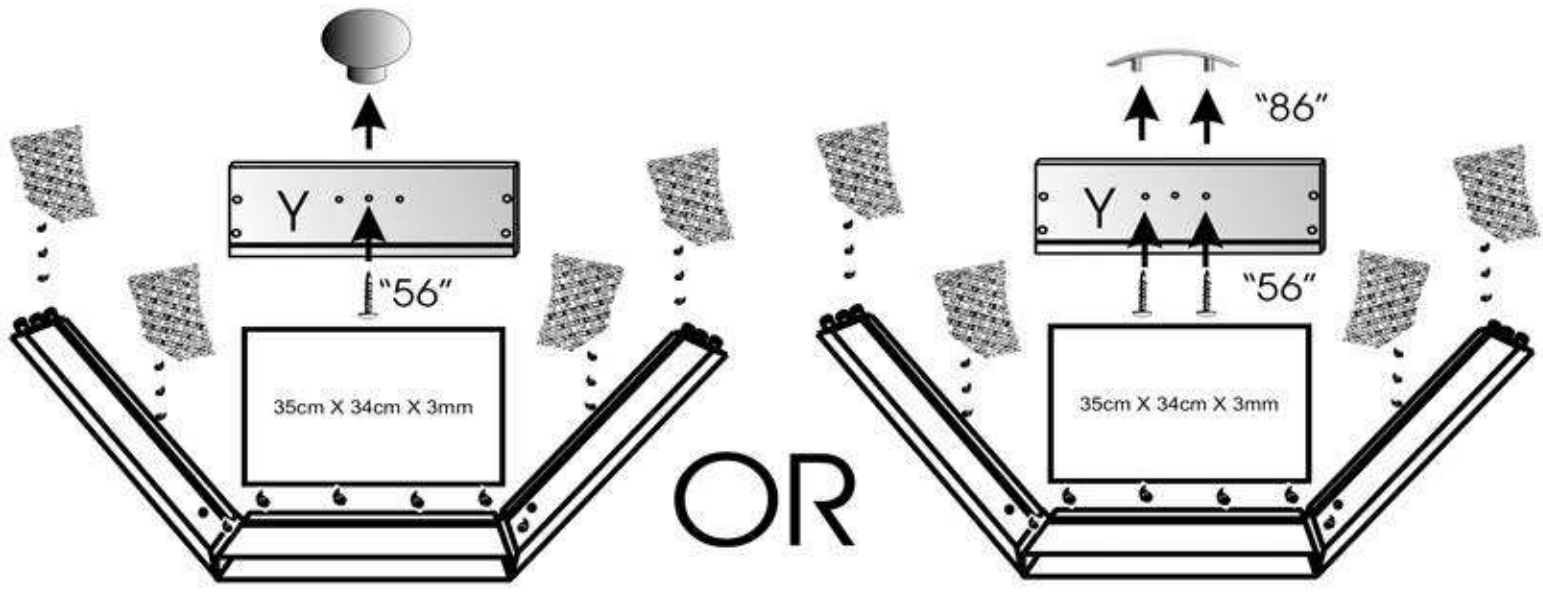




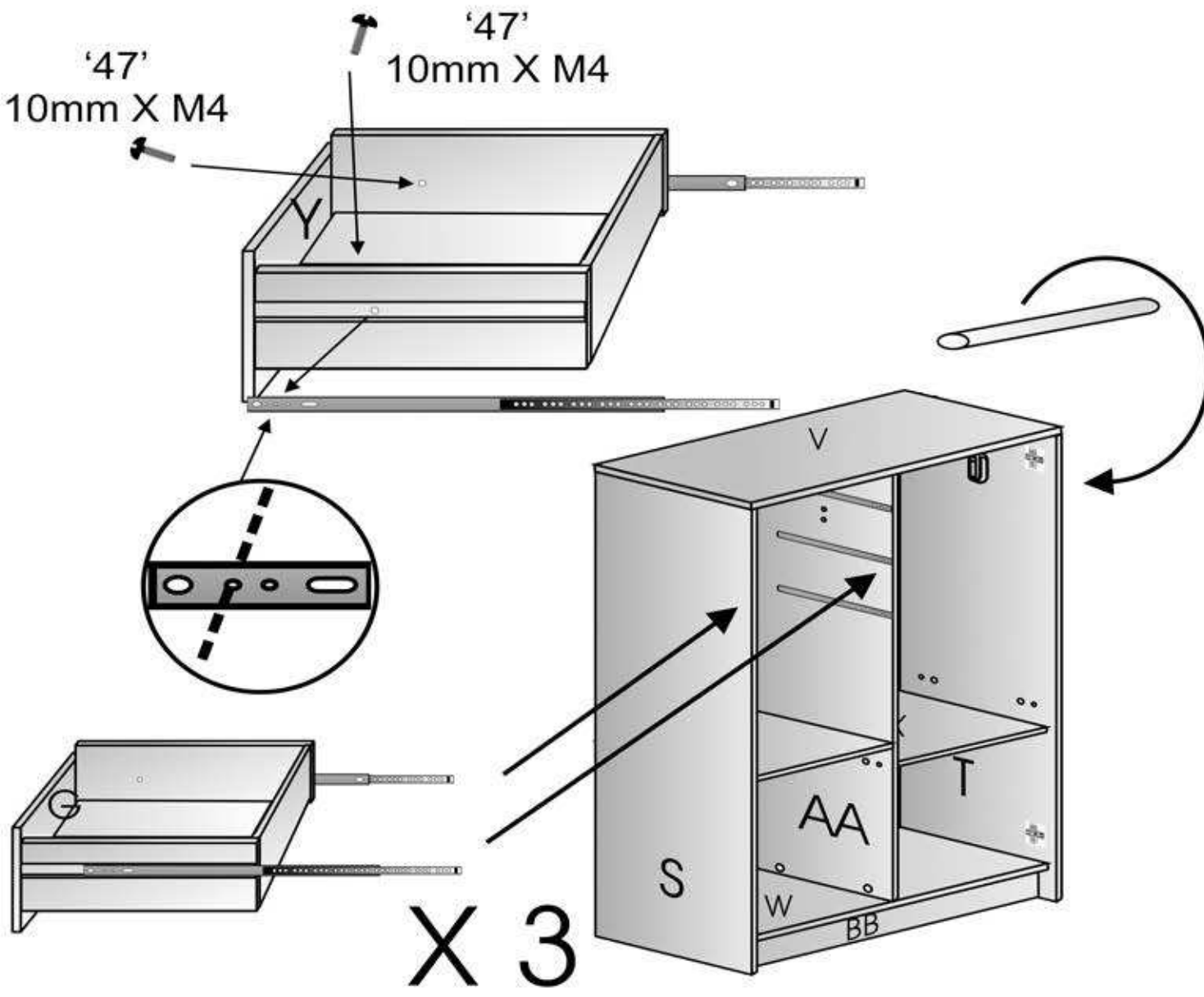
'13'		30
'191'		10



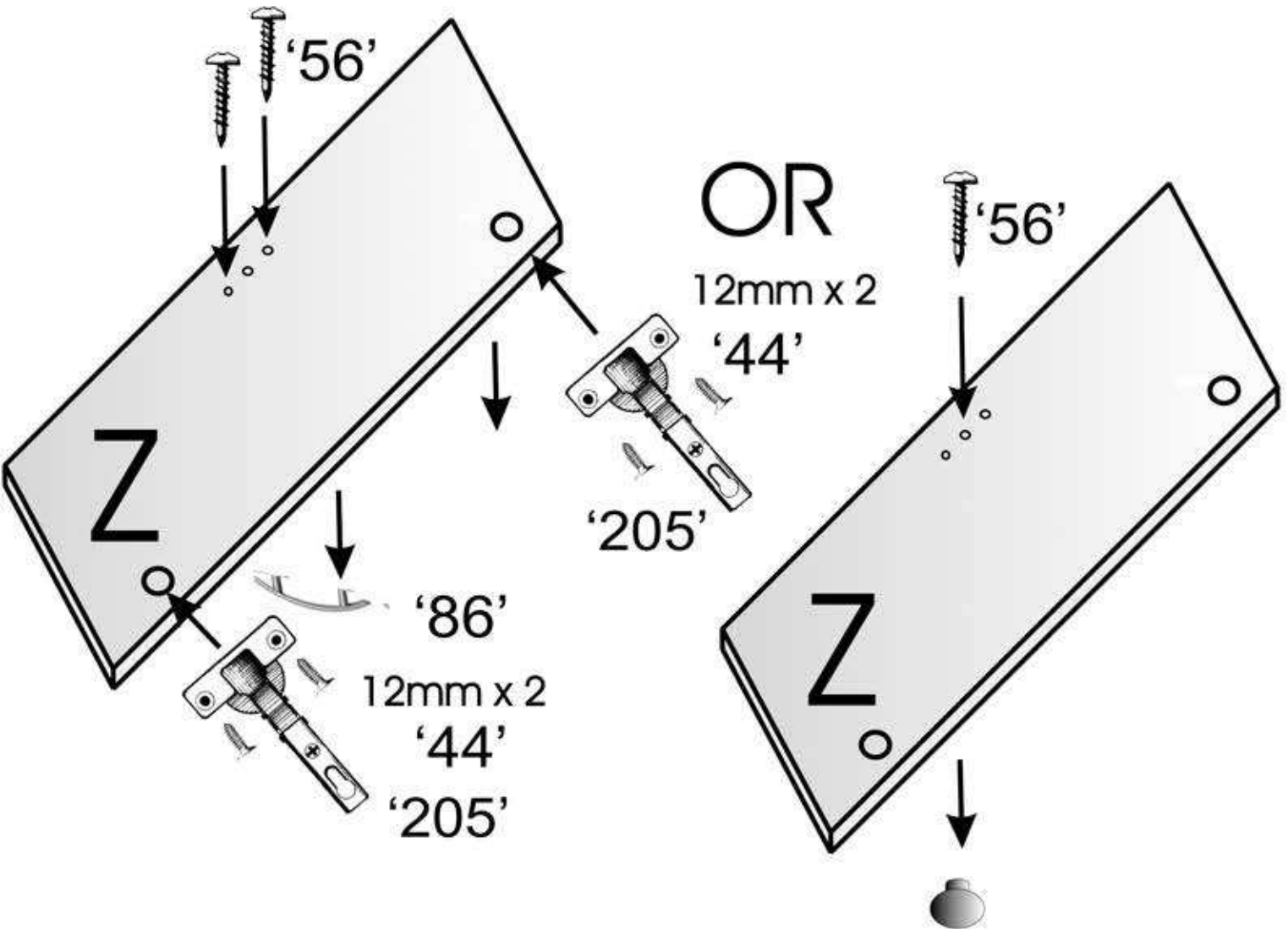
'47'		6	'219'		3
'86'		3	'56'		6



OR



'56'	30mm	2	'205'		2
'86'		1	'44'		4



**ENGLISH
DOOR ADJUSTMENT**

Fit the door when the cabinet is in the final position.

A DEPTH ADJUSTMENT

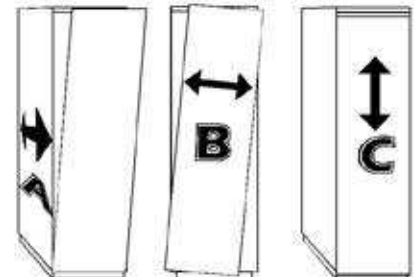
Release the screw X to adjust the door for forward or back movement. Tighten the screw X when correct.

B SIDE ADJUSTMENT

Loosen screw X, adjust screw Y in or out, tighten screw X.

Z HEIGHT ADJUSTMENT

Release the hinge plate screws and adjust up or down. Tighten when correct.



After assembly discard any extra fittings.
 In het componenten pak zitten extra schroeven etc., na de opbouw kunnen deze weggegooid worden.
 Apres Assemblage, se debarrasser de pieces de plus.
 UK Spares and Assembly HELPLINE 01572 755110

