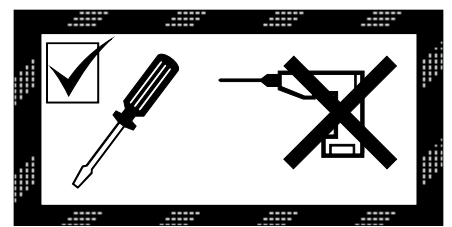
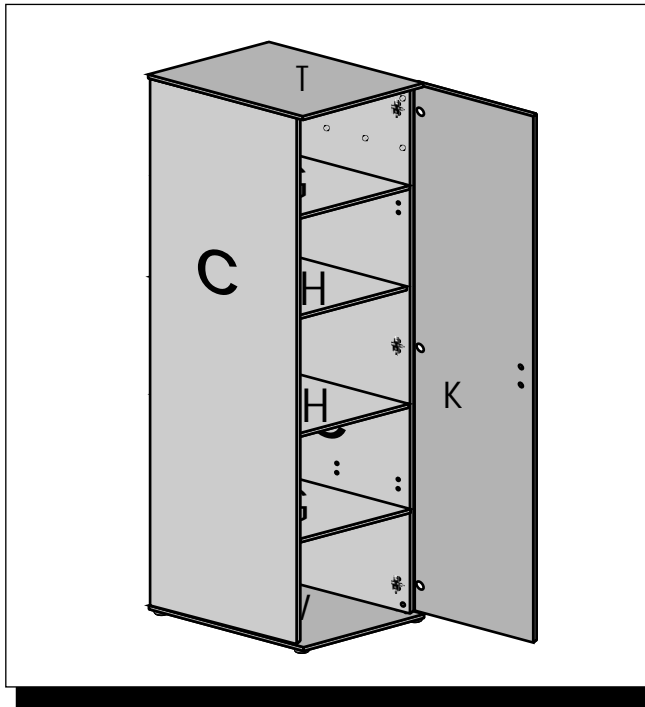


Chester 1 Door Robe

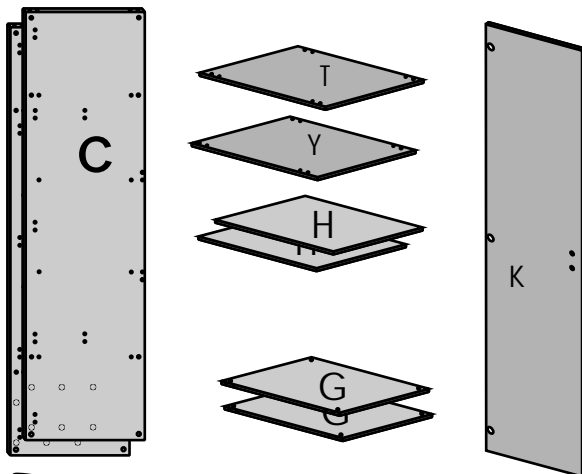


1 - 181 x 39cm x 3mm

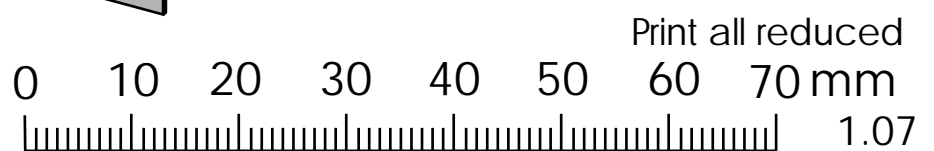
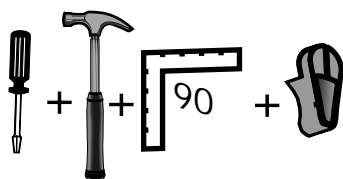


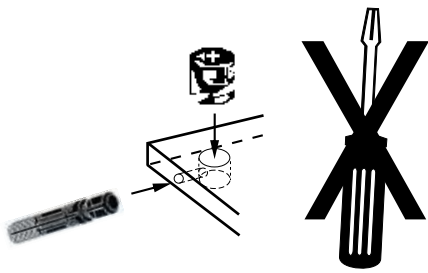
C - 2	K - 1
G - 2	T - 1
H - 2	Y - 1

<p>16 '220' 6mm Dowels x 39mm</p>	<p>60 '13' Panel Pins</p>		<p>3 '208' 0mm Hinge</p>	<p>6 '44' 12mm Silver 12mm x No6 Csk Pozzi BZP</p>	<p>1 '131' or 1 '802' Metal Bow Handle</p>	<p>1 x '155" DT 484</p>	<p>1 x '43" 12mm Pan BZP Nut</p>
<p>16 '182' Tius Dowel</p>	<p>16 '181' Tius Cam</p>		<p>3 '206' Hinge Plate</p>	<p>4 '87' Bowler Hat foot</p>	<p>2 '999' 20mm x M4</p>	<p>4 '36' 25mm x No6 csk pozzi bzp</p>	<p>8 '98' 5mm shelf support</p>

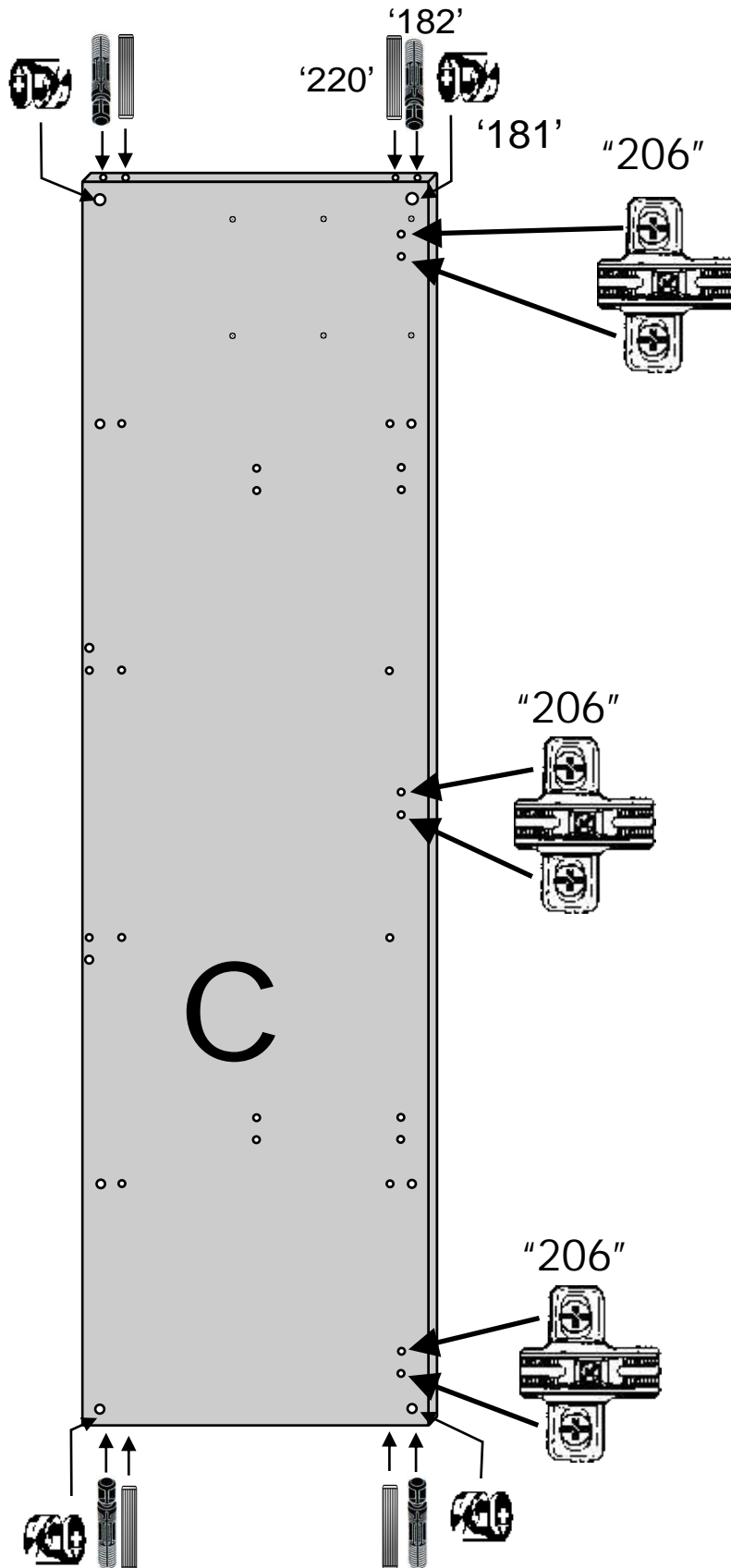
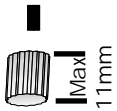
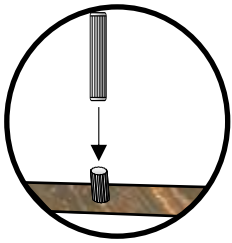
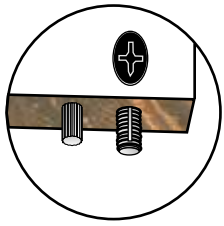


131 Handles - White/Beech
802 Handles - Oak








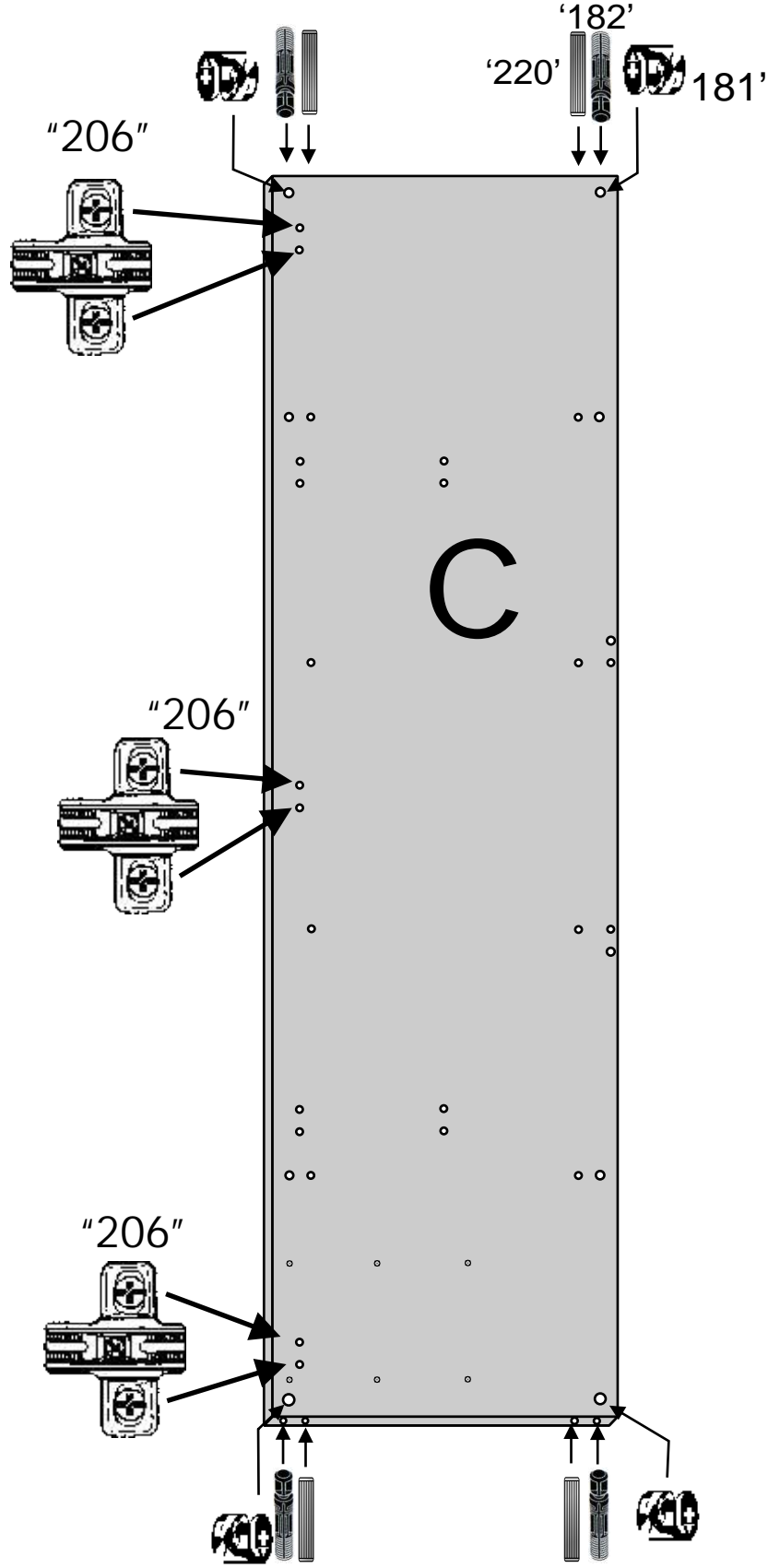
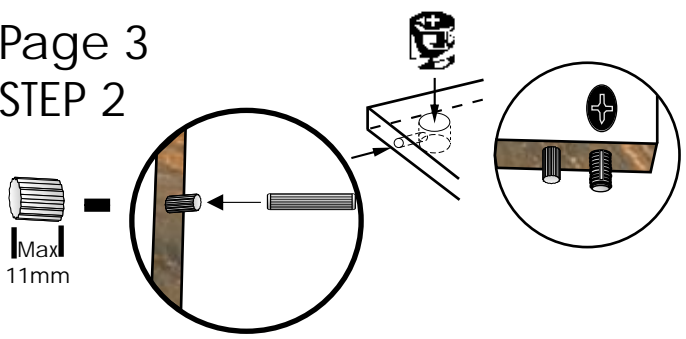
'182'		4	'181'		4
'206'		3	'220'		4



X 1

For Right Hand
Opening door
if you want Left
Hand opening fit
hinge plates as in
Step 2.

'182'		4	'181'		4
			'220'		4

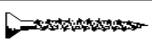






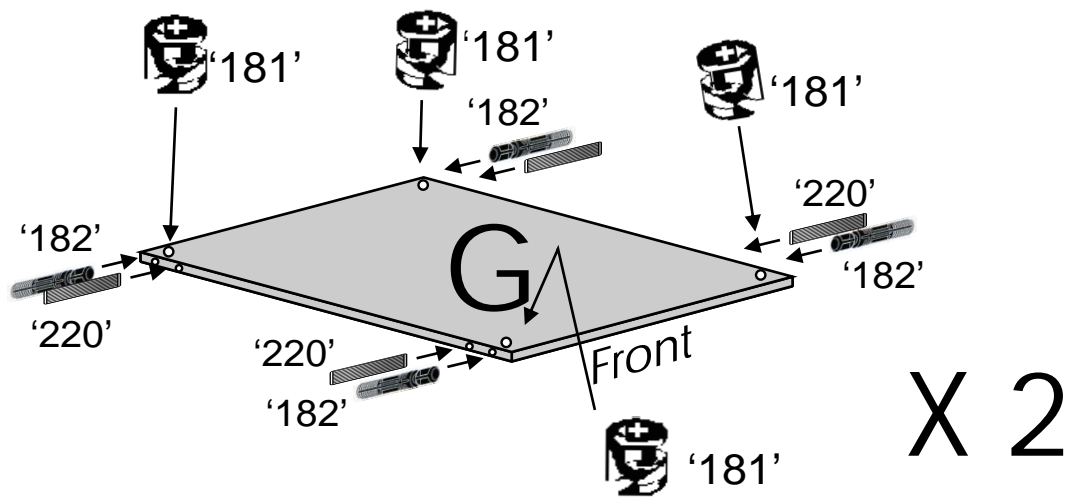
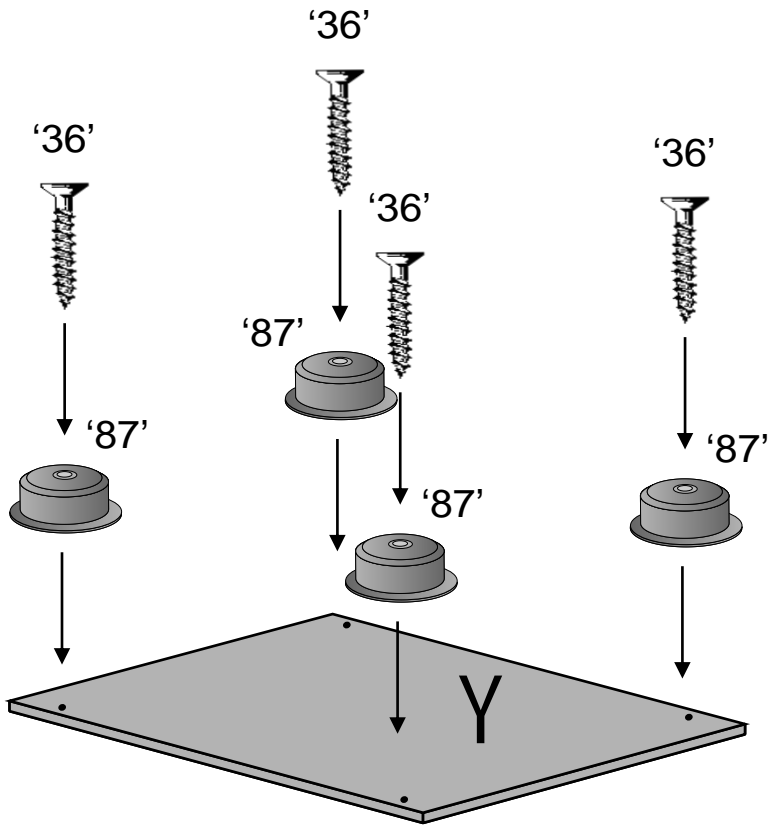
1 x C

Left hand

For Left Hand
Opening door
if you want Right
Hand opening fit
hinge plates as in
Step 2.

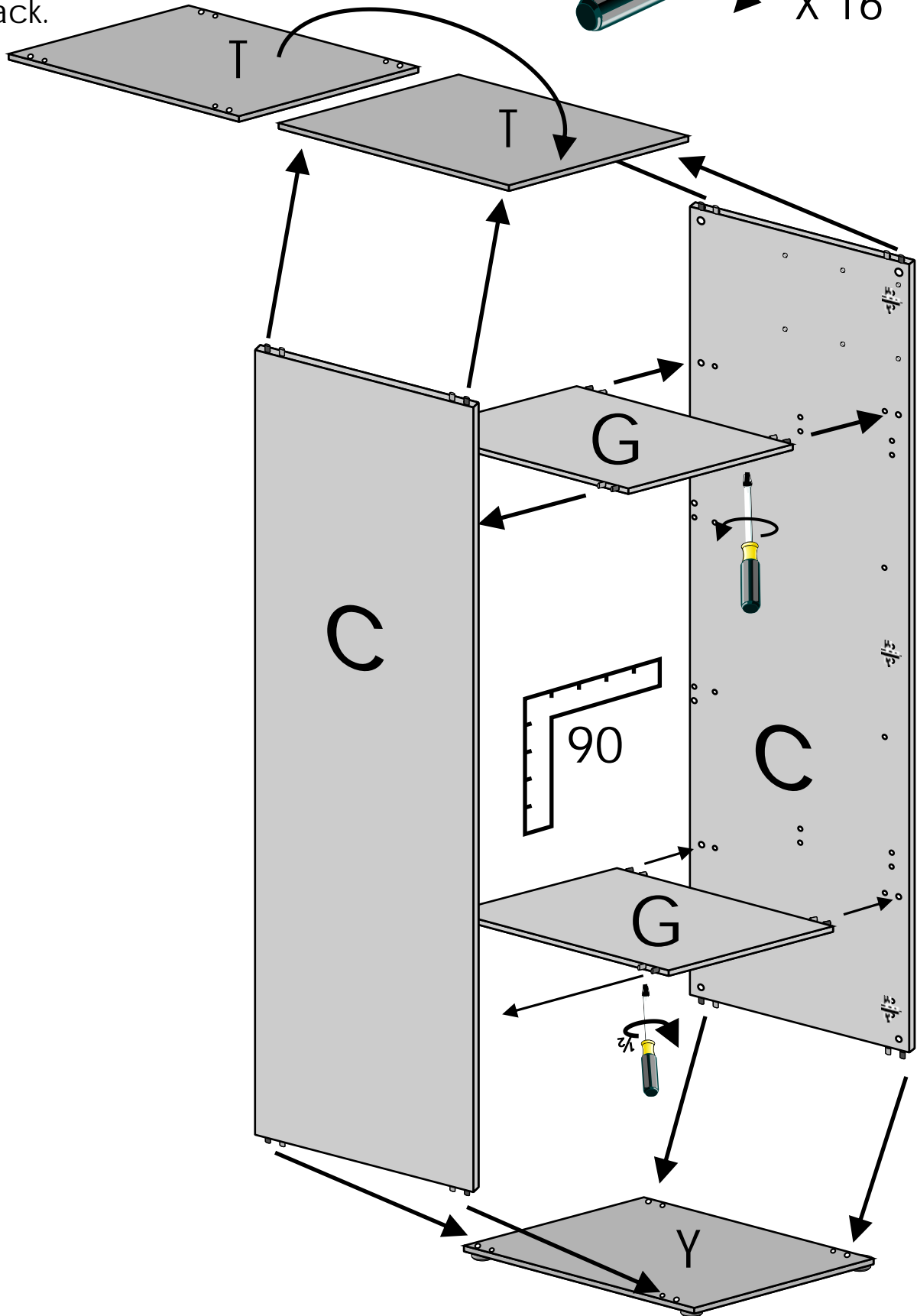
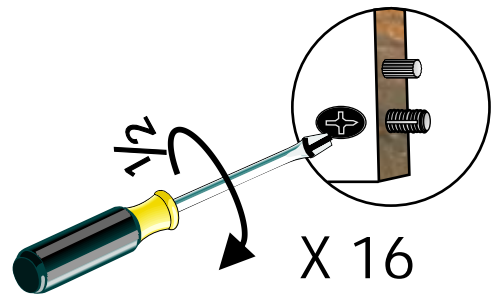
Page 4
STEP 3


'36'	 25mm	4
'87'		4
'181'		8
'220'		8
'182'		8



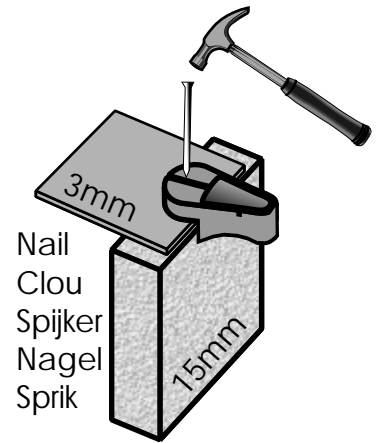
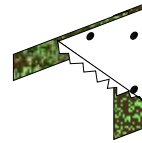
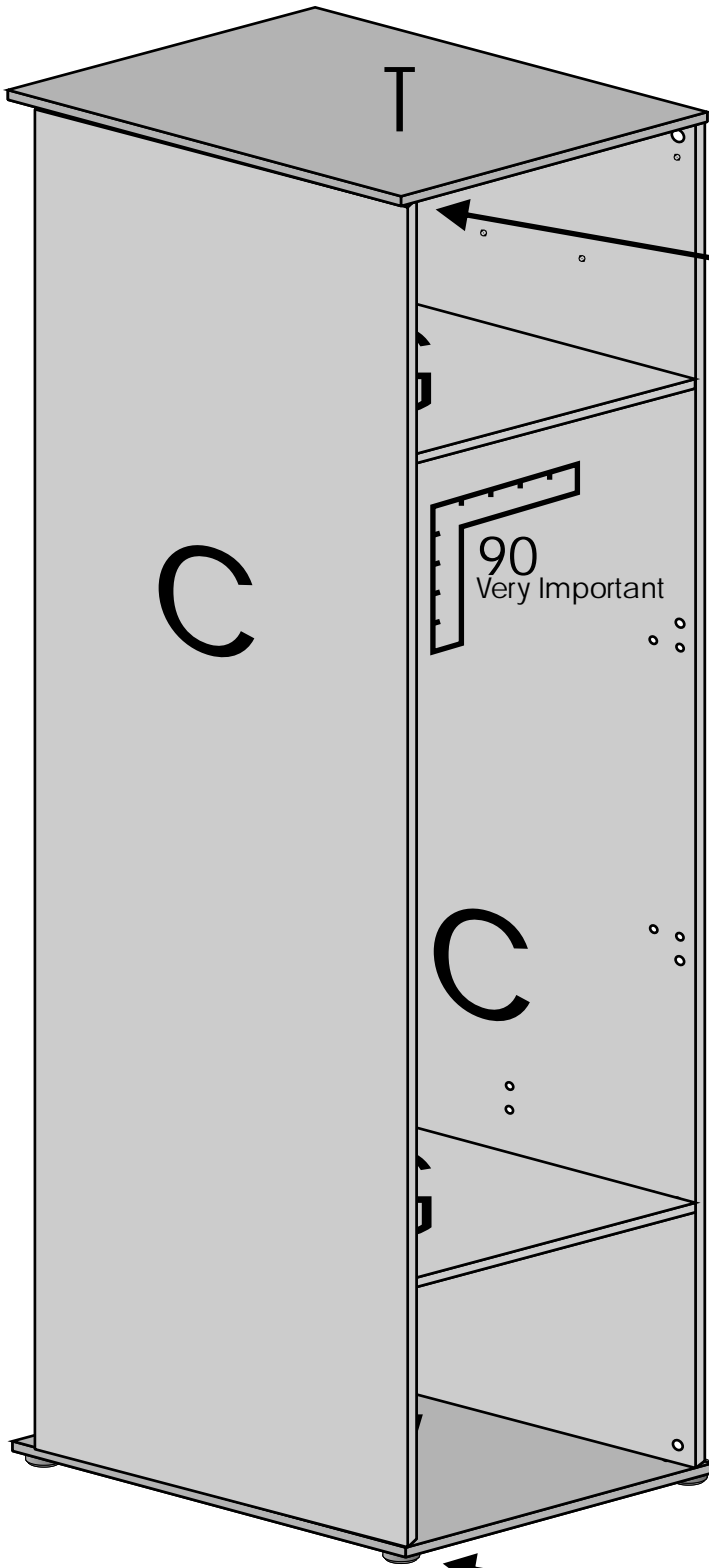
STEP 4

You may find it easier to carry out the next steps with the wardrobe on its back.

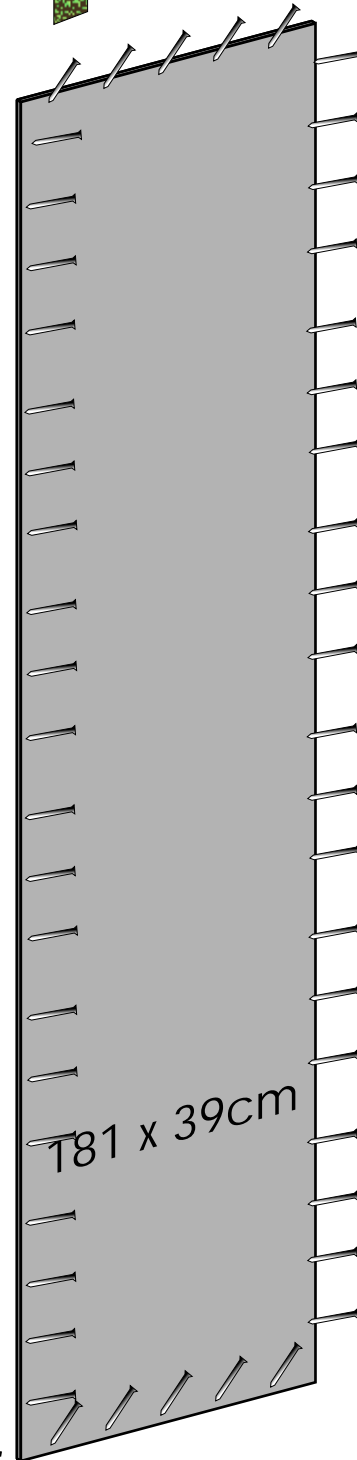



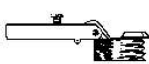
'13'		60
------	---	----

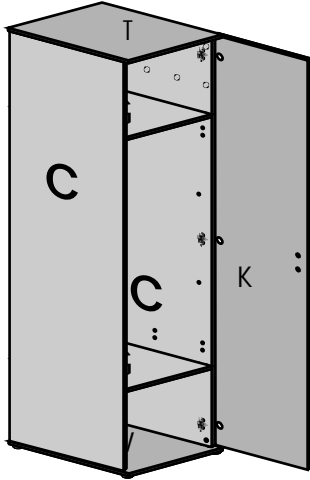
Before fitting the back stand the cabinet upright and make sure it is square. You will need to use 3 people to lift it.



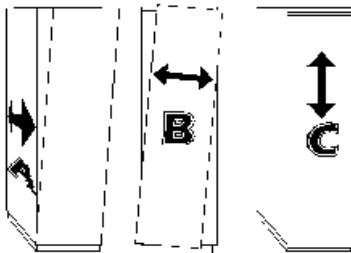
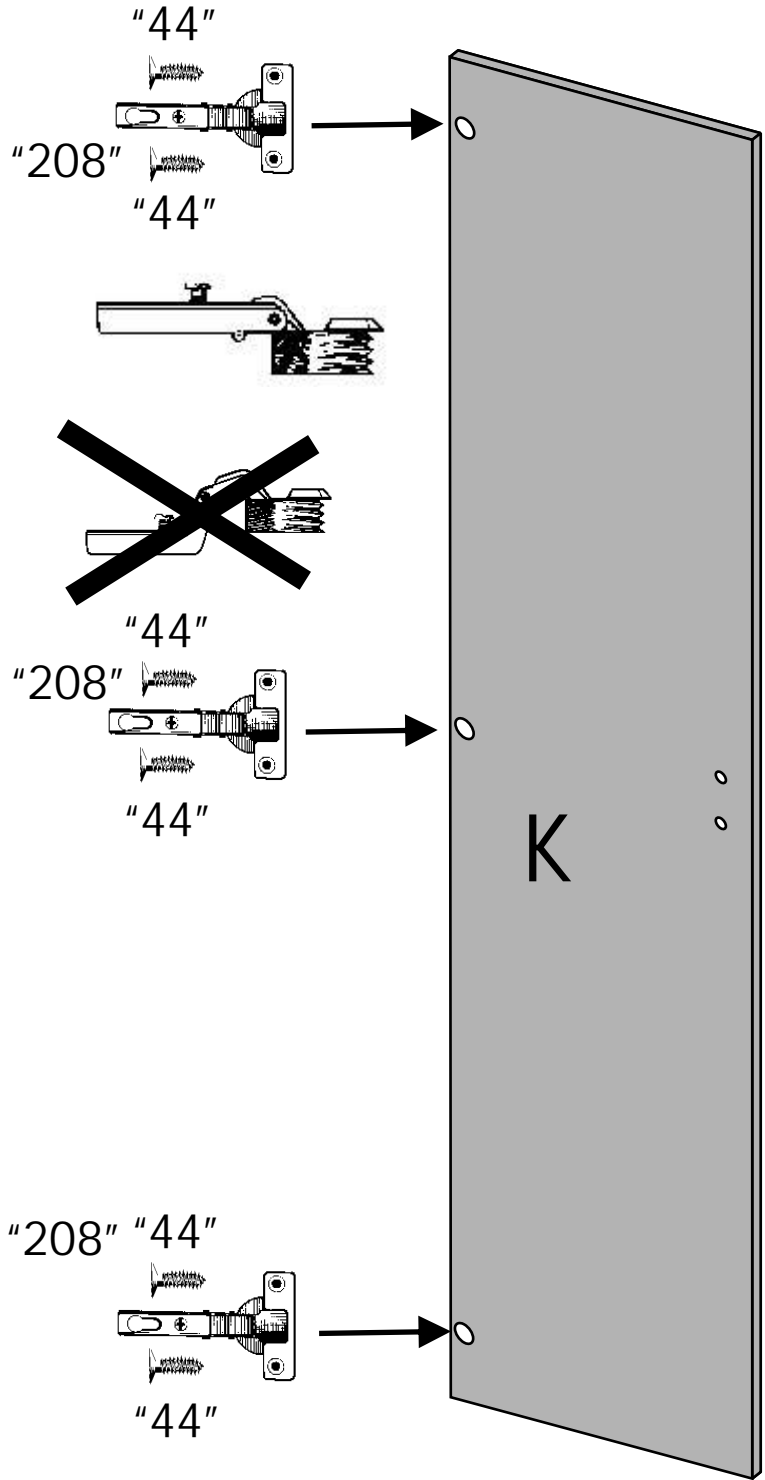
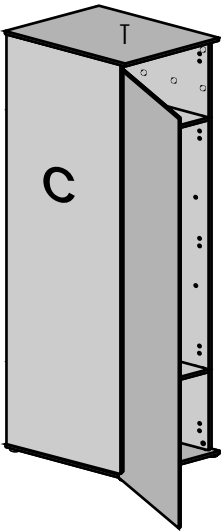
Nail
Clou
Spijker
Nagel
Sprik



'44'	 12mm	6	'208'		3
------	---	---	-------	---	---



Or



**ENGLISH
DOOR ADJUSTMENT**

Fit the door when the cabinet is in the final position.

A DEPTH ADJUSTMENT

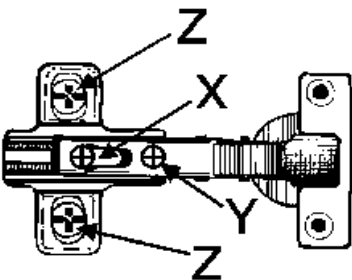
Release the screw X to adjust the door for forward or back movement. Tighten the screw X when correct.

B SIDE ADJUSTMENT

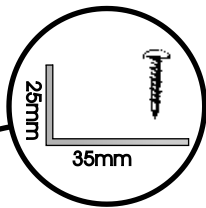
Loosen screw X, adjust screw Y in or out, tighten screw X.

Z HEIGHT ADJUSTMENT

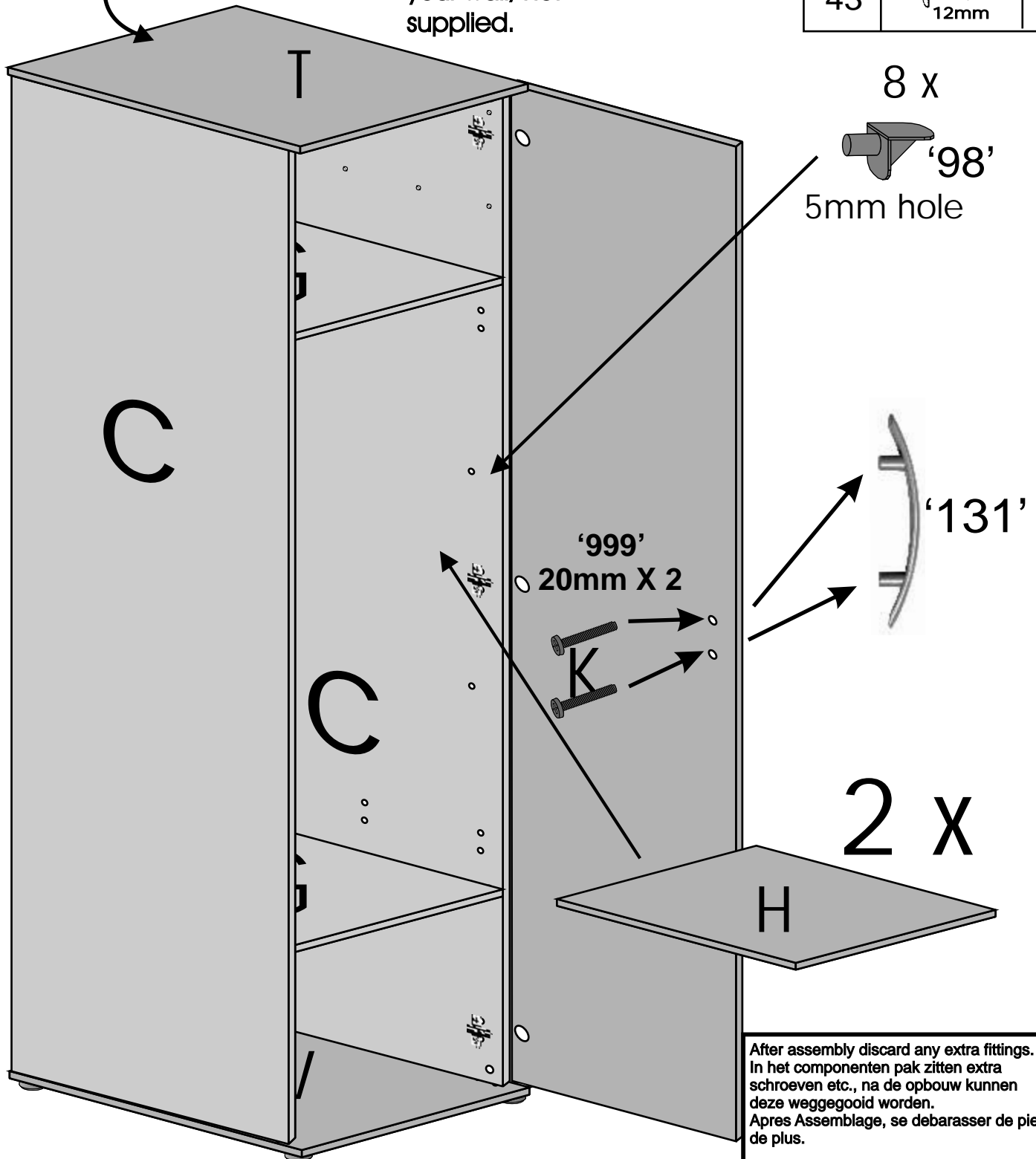
Release the hinge plate screws and adjust up or down. Tighten when correct.



Fit the angle bracket to the back edge of the top of the cabinet. This can then be used to secure the cabinet to the wall. Use a wall fixing that is suitable for your wall, not supplied.



'131'		1
'802'		1
'999'	20mm	2
'98'	5mm	8
'155'		1
'43'	12mm	1



After assembly discard any extra fittings. In het componenten pak zitten extra schroeven etc., na de opbouw kunnen deze weggegooid worden. Apres Assemblage, se debarrasser de pieces de plus.

UK Spares and Assembly HELPLINE 01572 755110