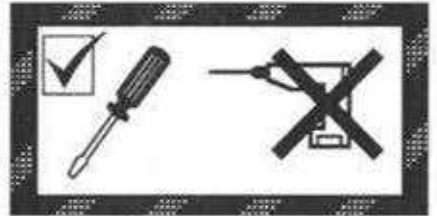
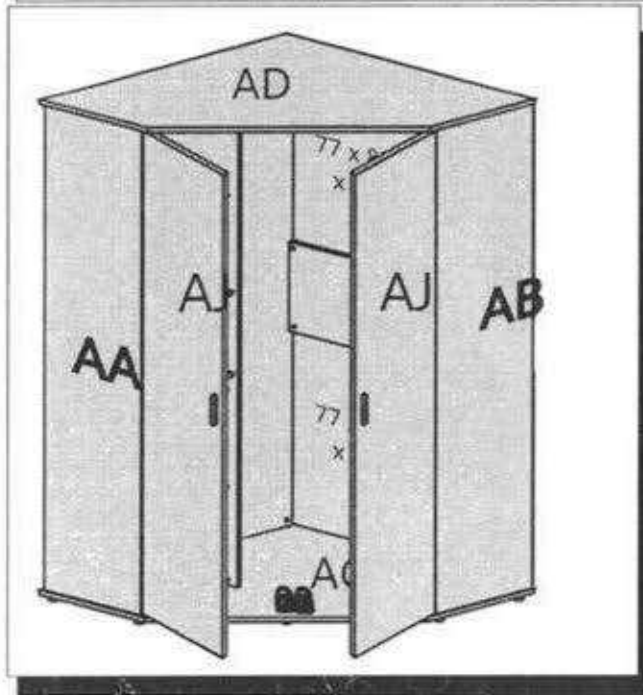


Chester 2 Door Corner Robe



1 - 181 x 39cm x 3mm
2 - 87 x 77cm x 3mm
Drilled






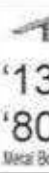












AA-1	AG-2
AB-1	AH-1
AC-1	AJ-2
AD-1	AK-1
AE-1	
AF-2	

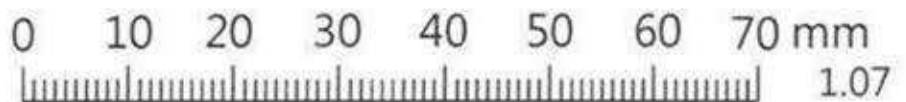
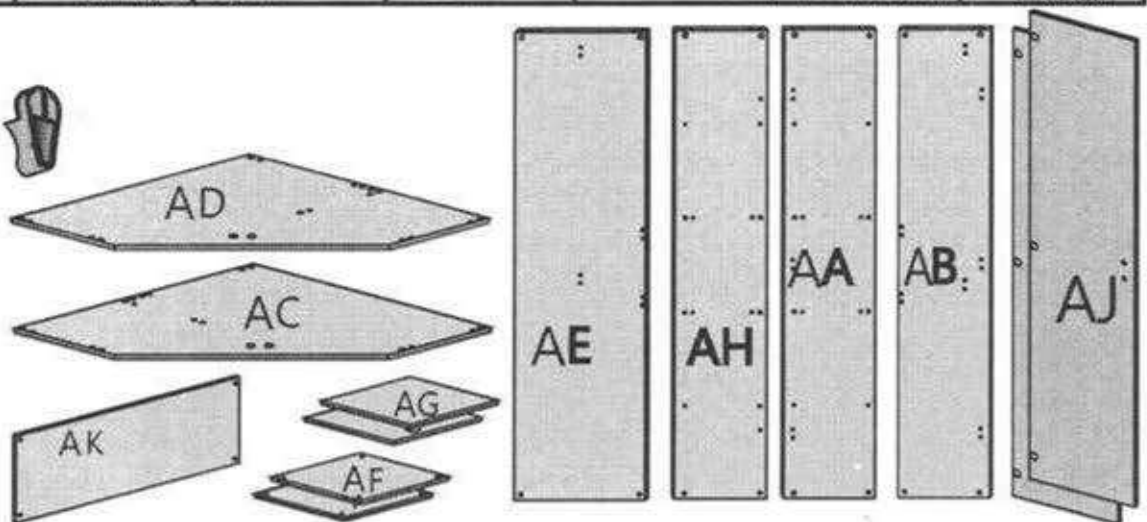
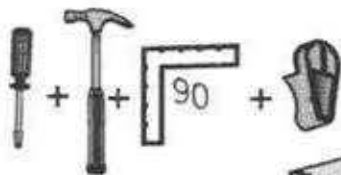


2 x Oval Rail

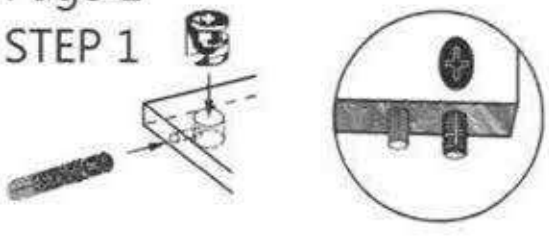
131 Handles - White/Beech
802 Handles - Oak

 26 '220'	 90 '13'	 4 '55'	 6 '214'	 12 '44'	 '131' '802' 2	 2 '34'	 4 '190'
 24 '182'	 24 '181'	 4 '118'	 6 '216'	 8 '87'	 4 '999'	 8 '36'	 8 '98'

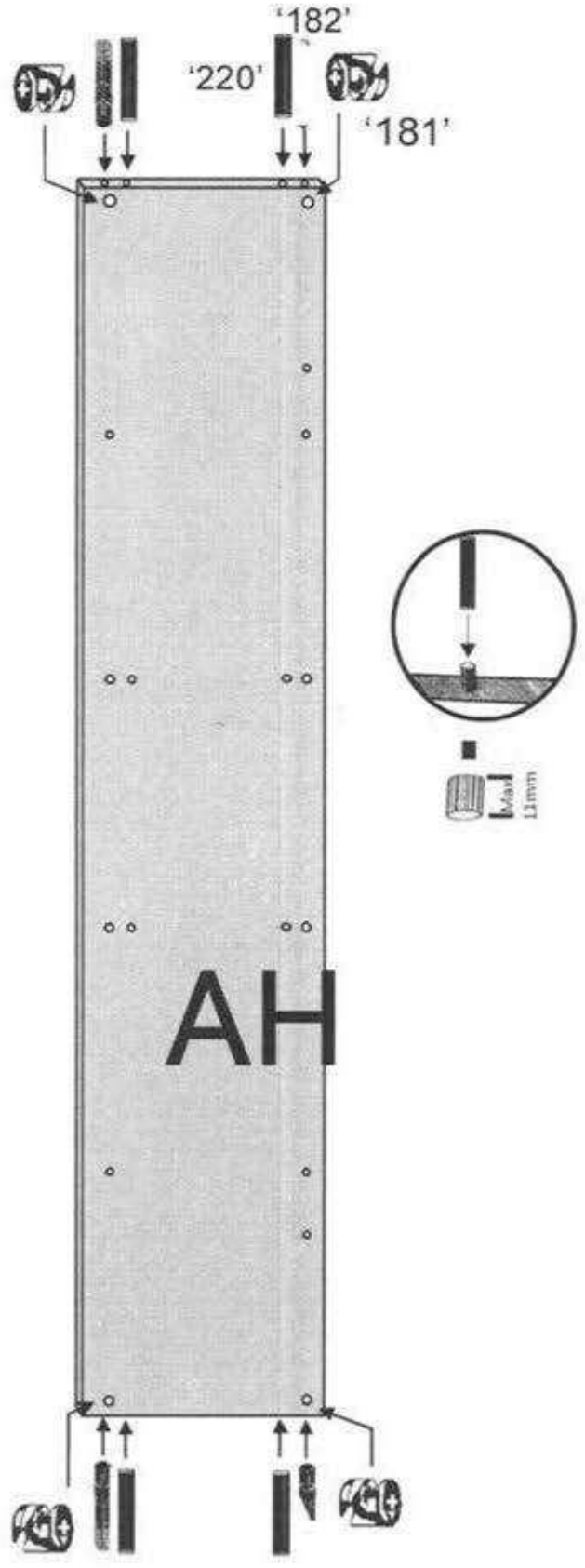
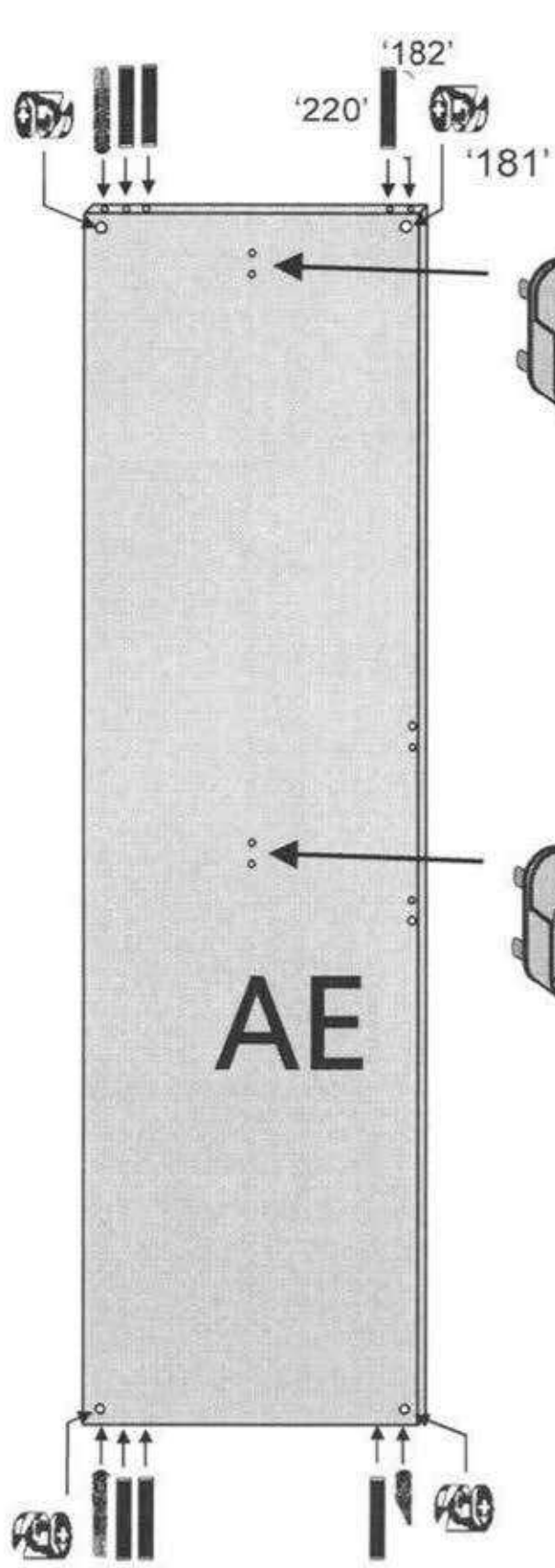
 1 x '155'	 9 '43'
---	--



Print all reduced

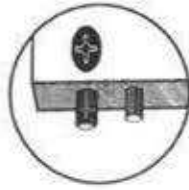
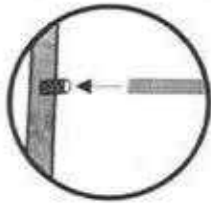


'182'		8	'181'		8
'118'		2	'220'		10
			'55'	9mm	2

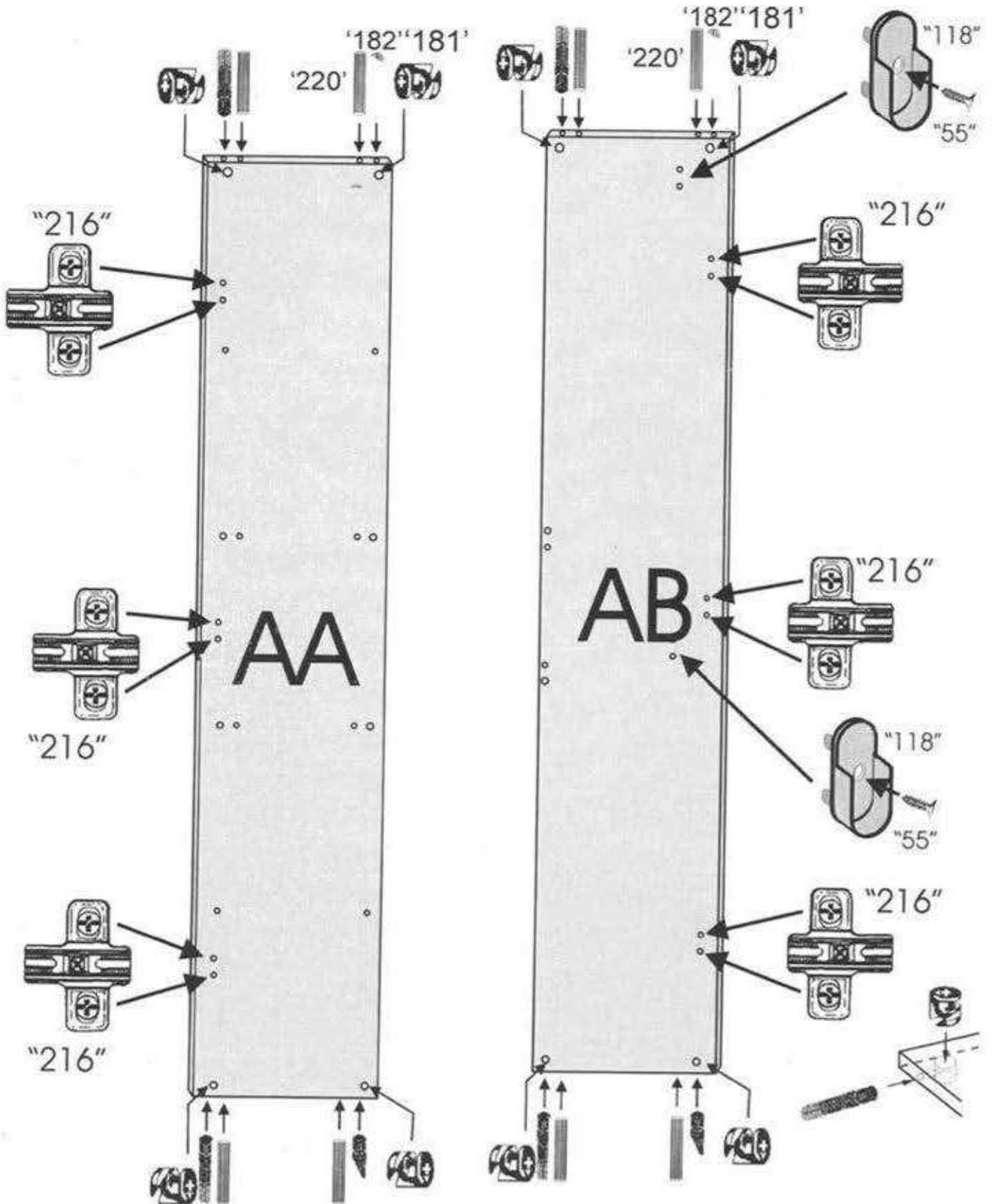


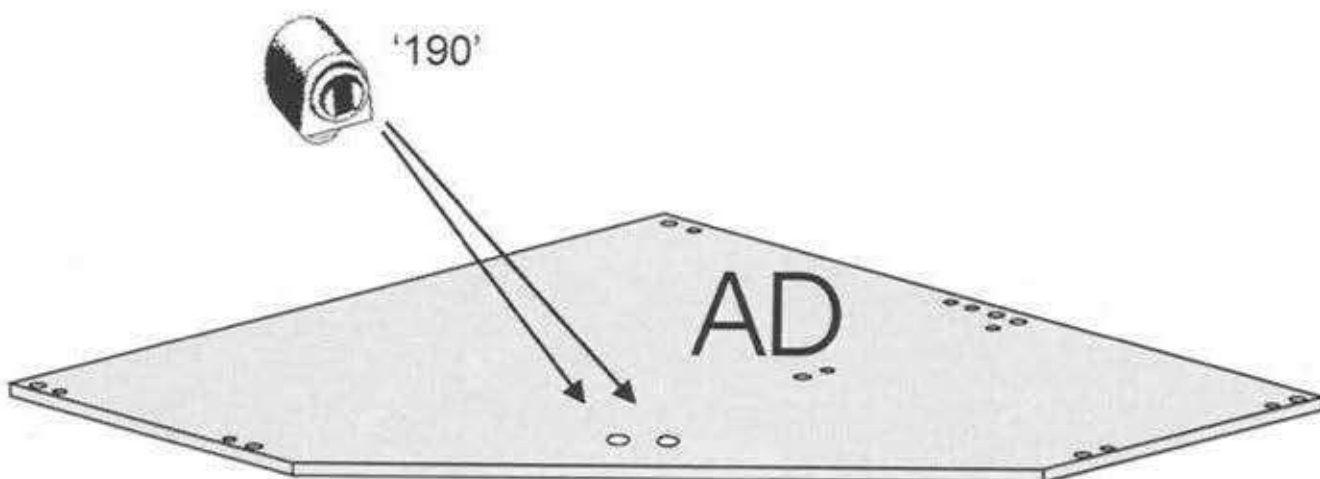
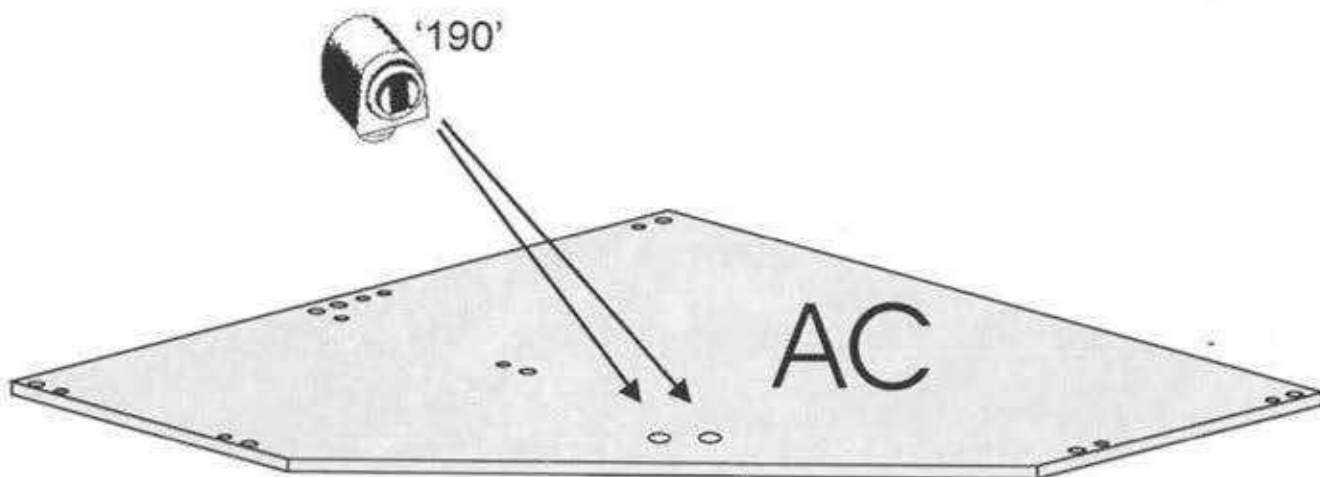
Page 3
STEP 2

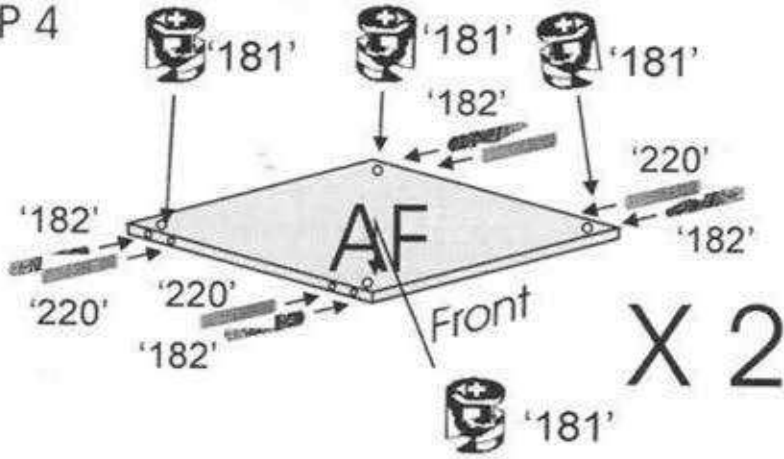
Max
1mm



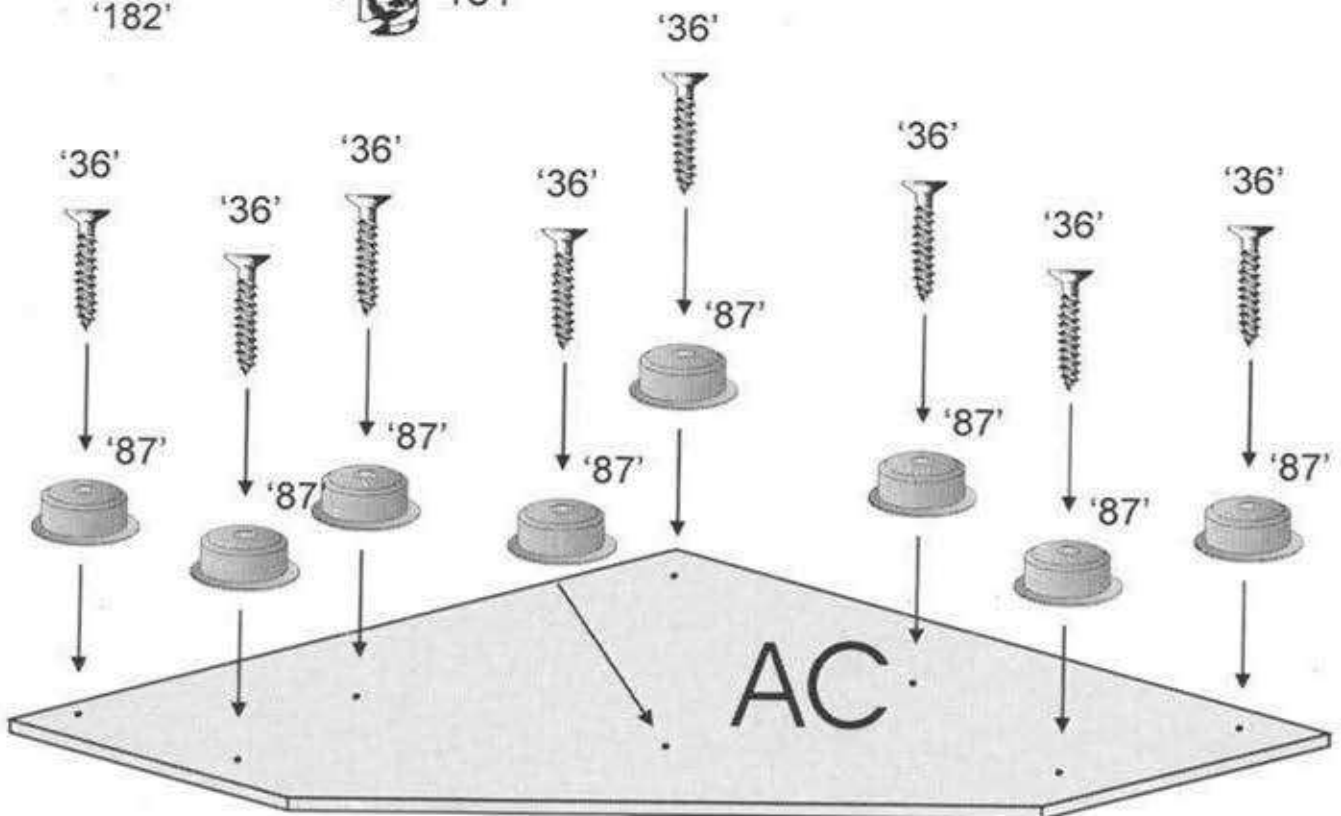
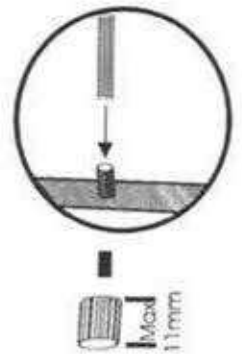
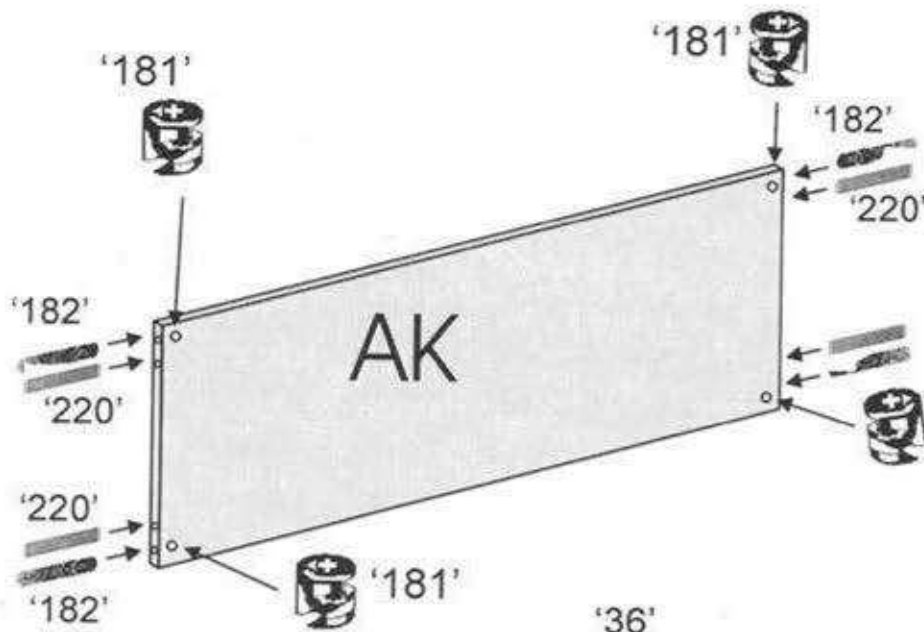
'182'		4	'181'		4
'118'		2	'220'		4
'216'		6	'55'		2





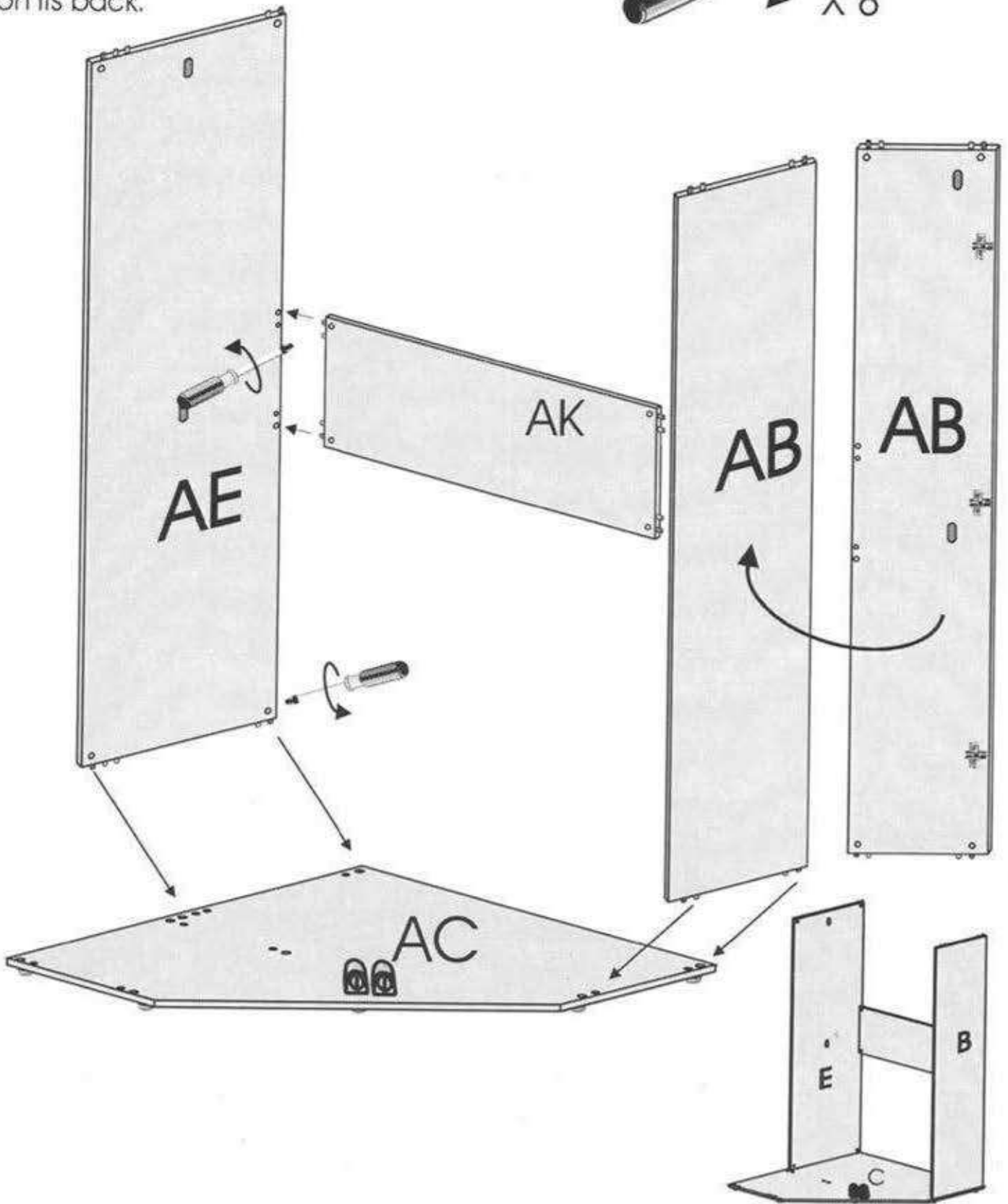
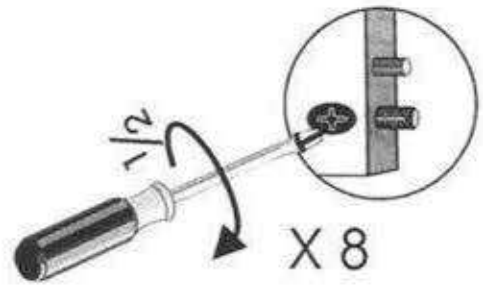


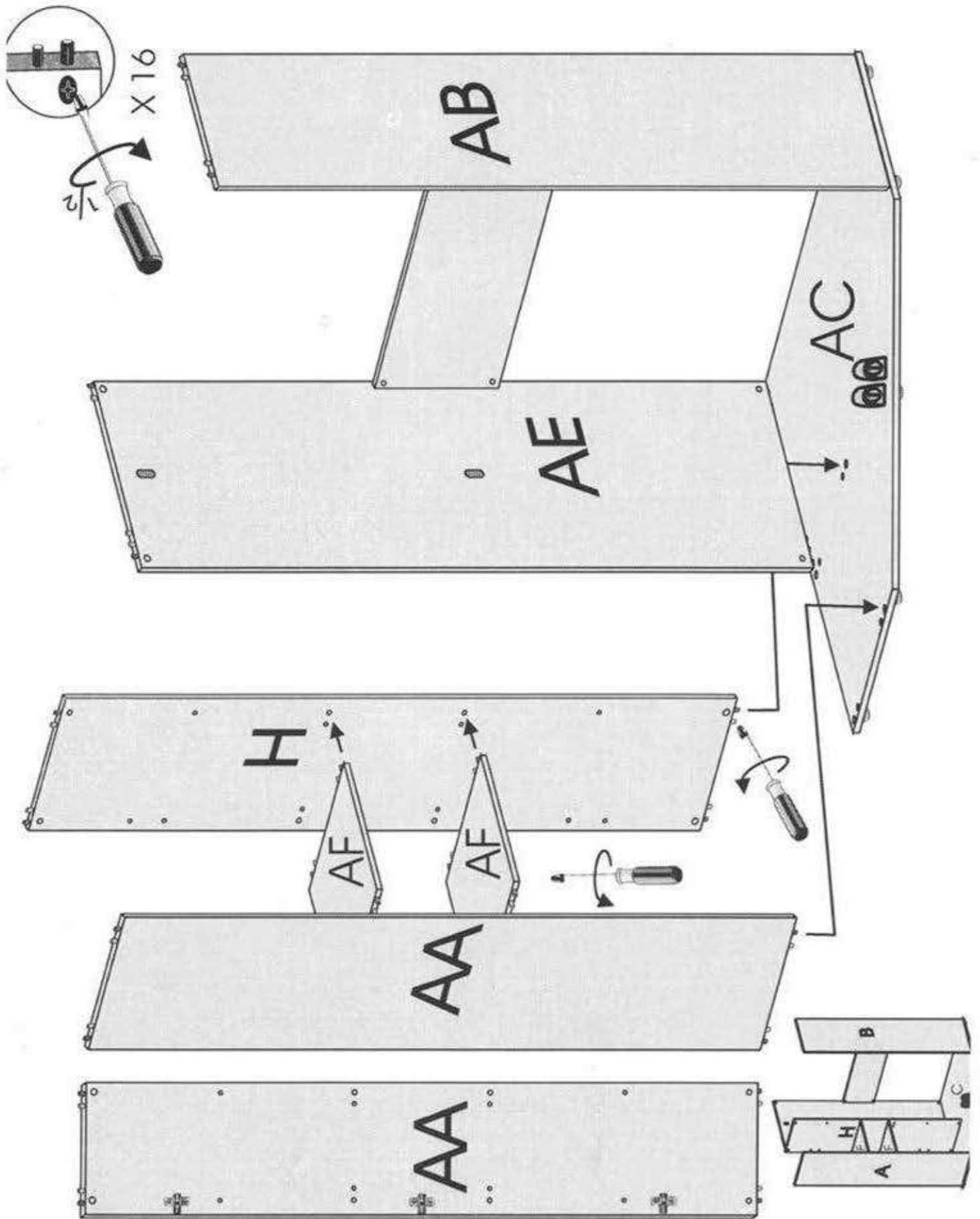
'36'	25mm	8
'87'		8
'181'		12
'220'		12
'182'		12



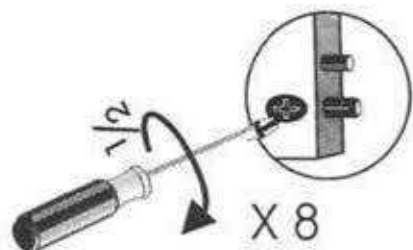
STEP 5


You may find it easier to carry out the next steps with the wardrobe on its back.

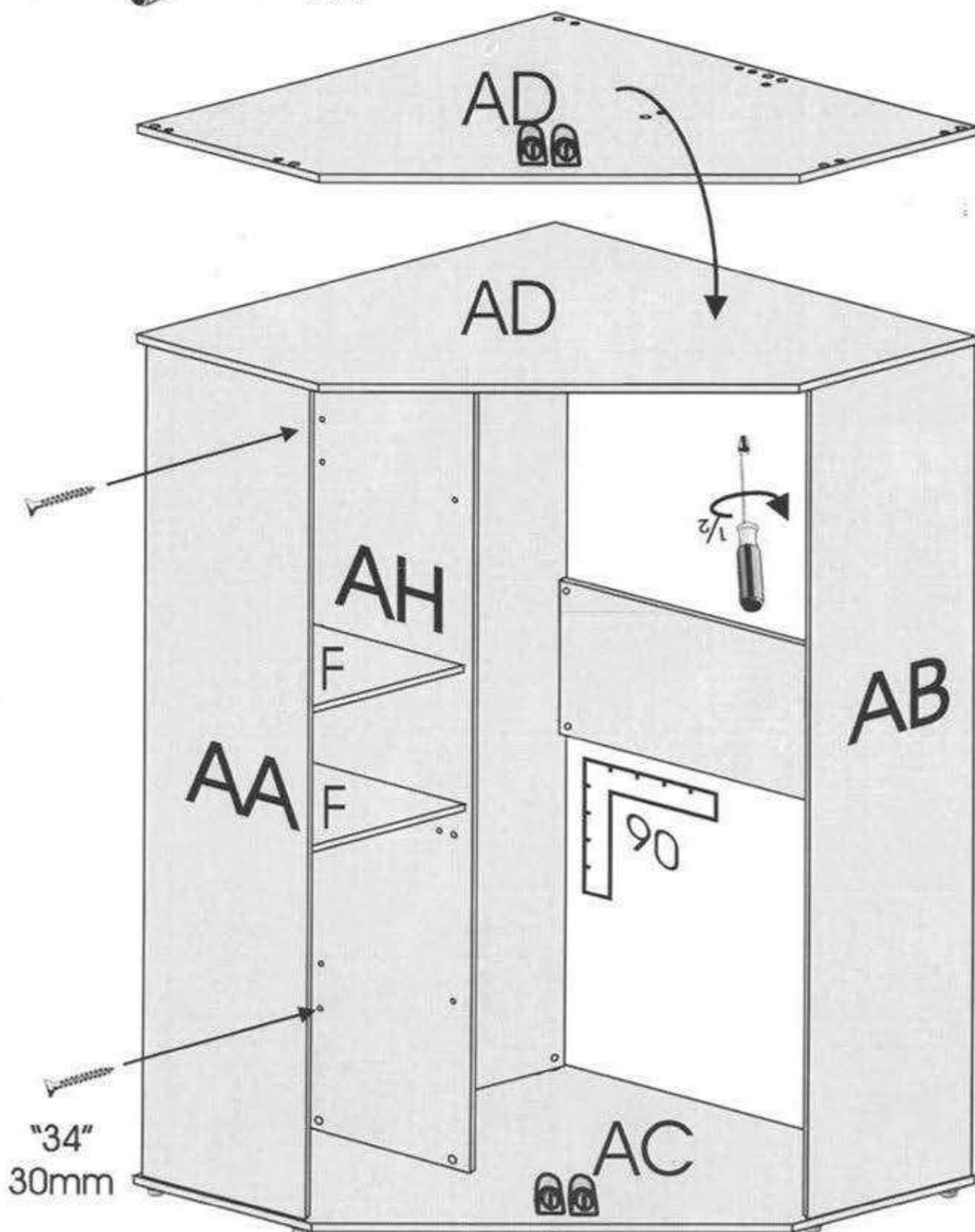




Page 8
STEP 7

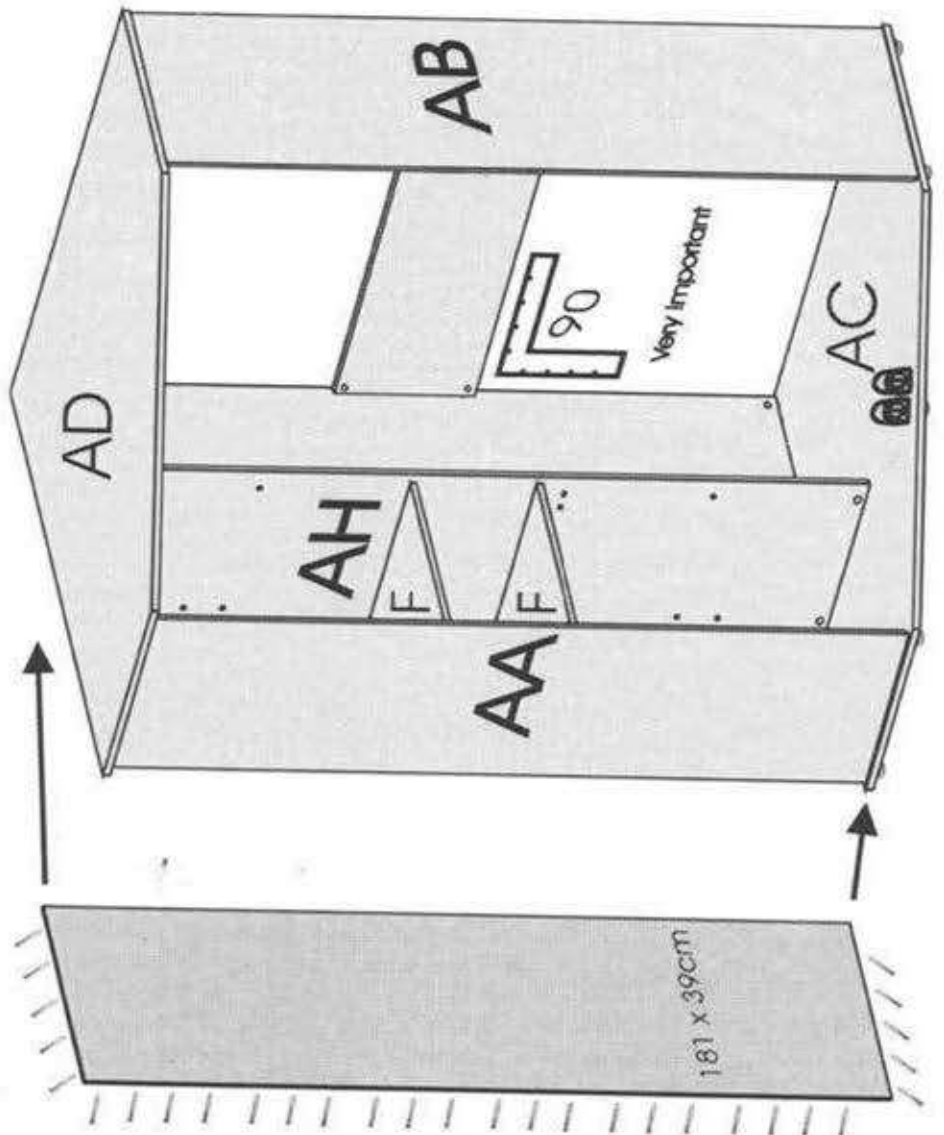
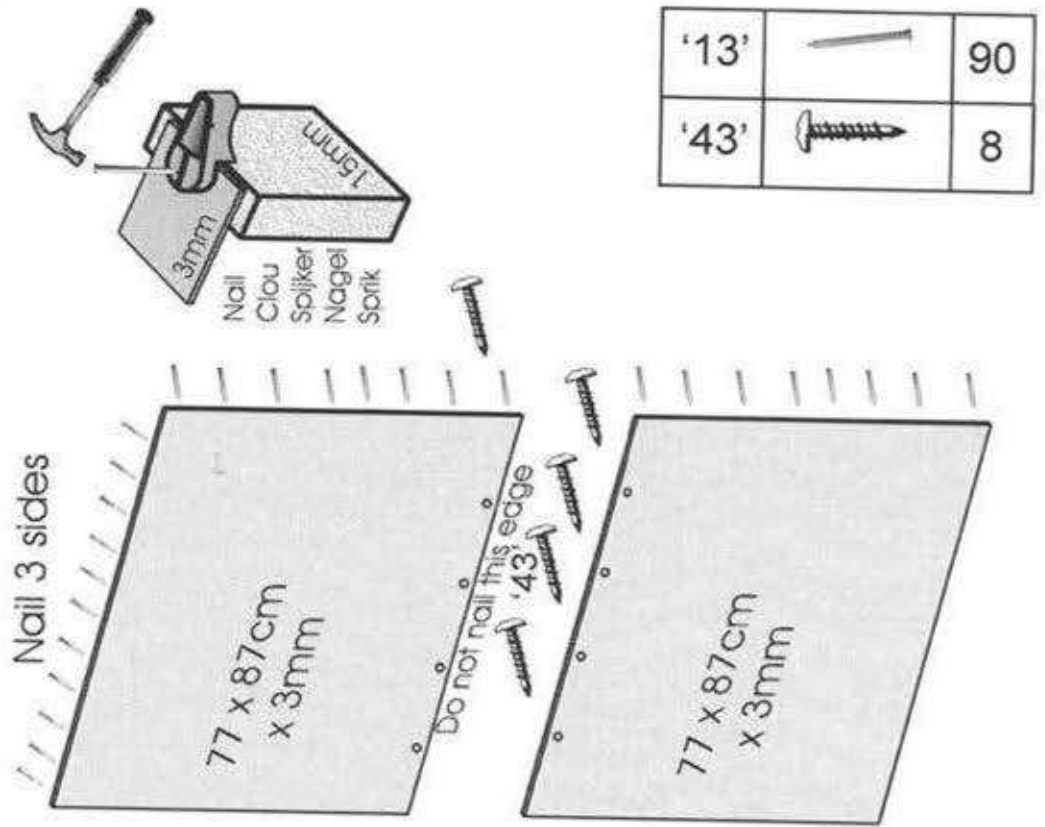





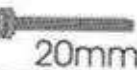
'34'	 30mm	2
------	--	---

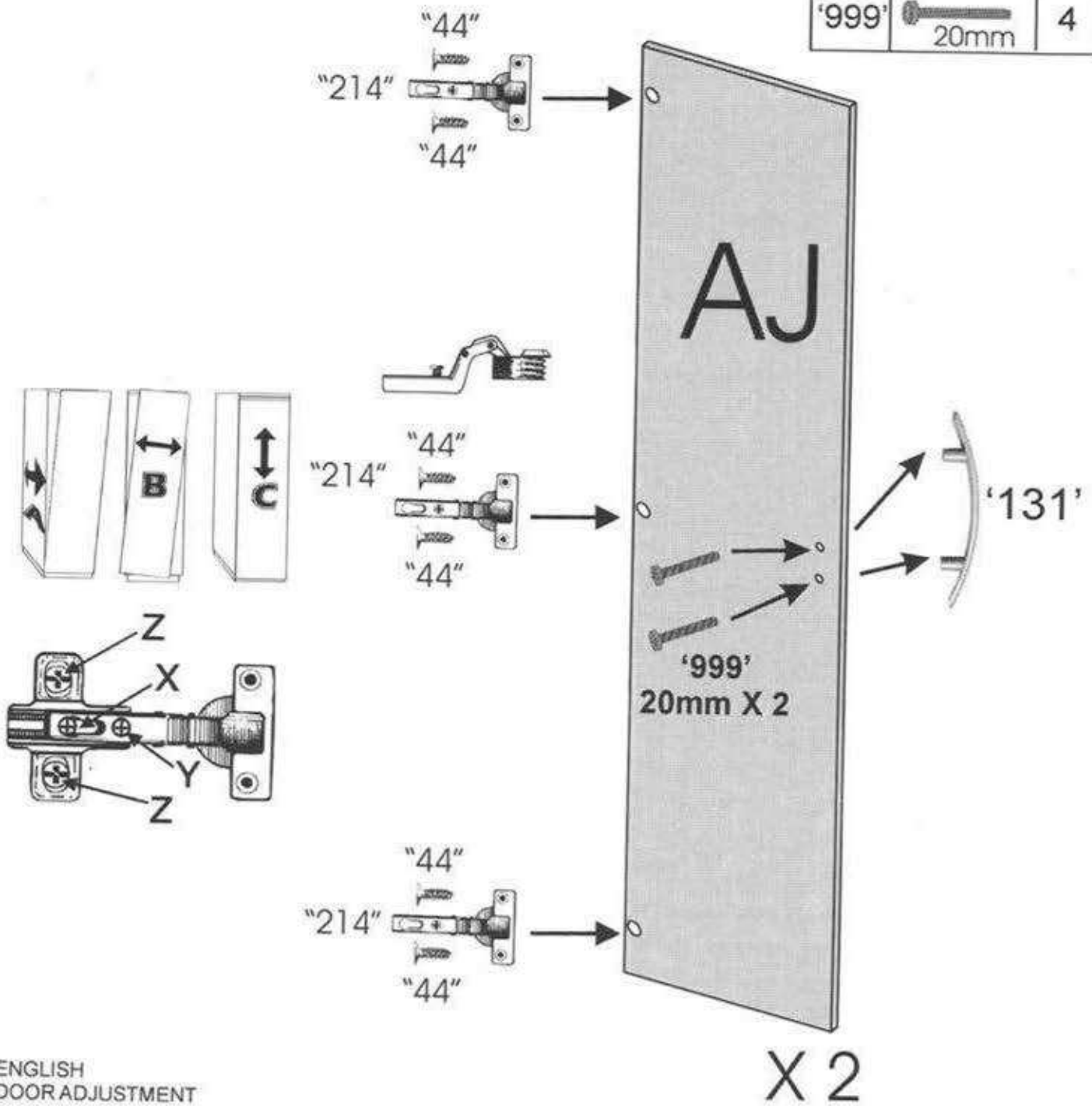


Before fitting the back stand the cabinet upright and make sure it is square. You will need to use 3 people to lift it.

Nail 4 sides



'44'	 12mm	12	'214'		6
			'131'		2
			'999'	 20mm	4



**ENGLISH
DOOR ADJUSTMENT**

Fit the door when the cabinet is in the final position.

A DEPTH ADJUSTMENT


Release the screw X to adjust the door for forward or back movement. Tighten the screw X when correct.

B SIDE ADJUSTMENT

Loosen screw X, adjust screw Y in or out, tighten screw X.

Z HEIGHT ADJUSTMENT

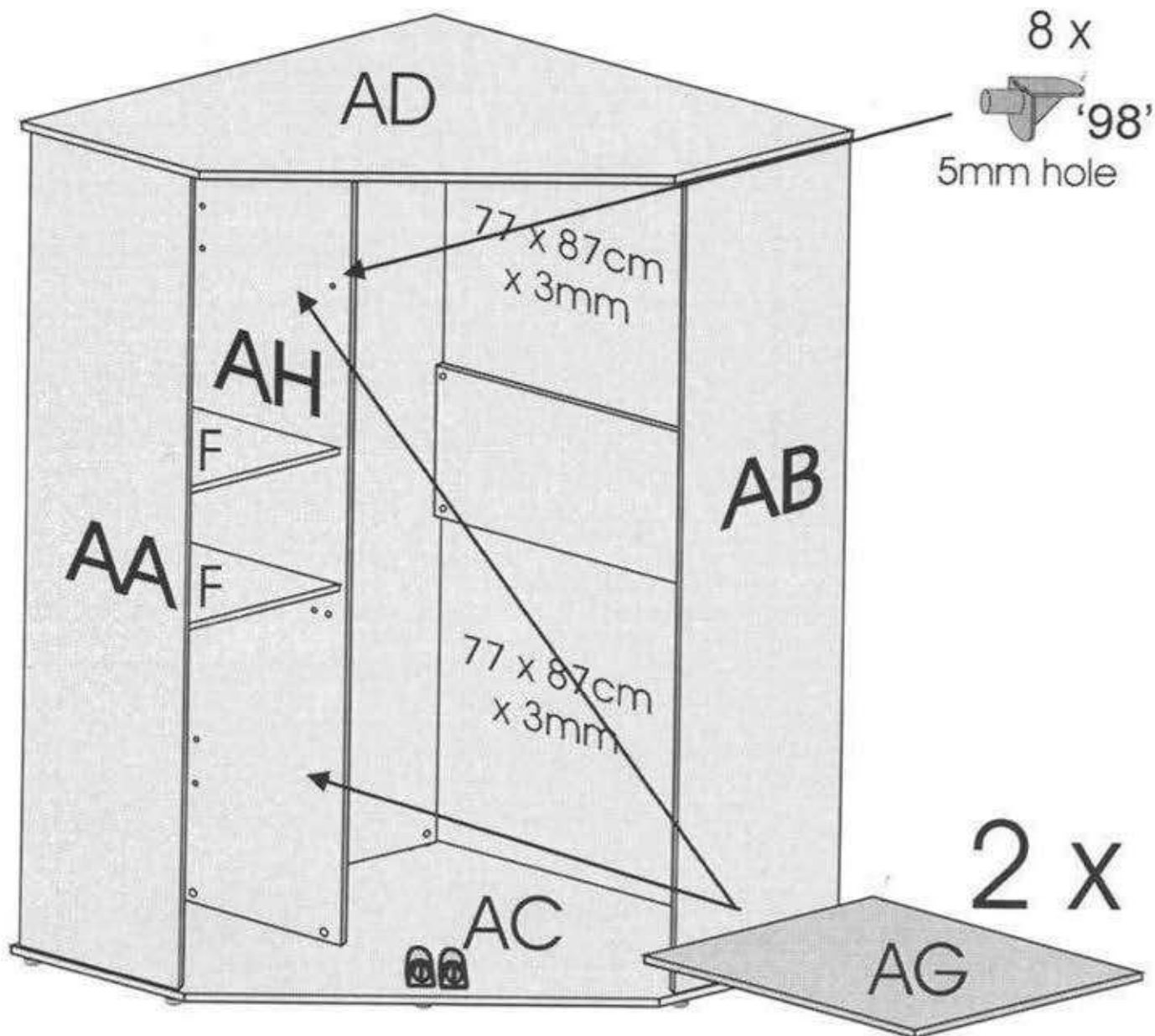
Release the hinge plate screws and adjust up or down. Tighten when correct.

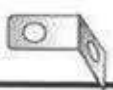
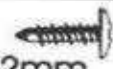
'98'		5mm	8
------	---	-----	---

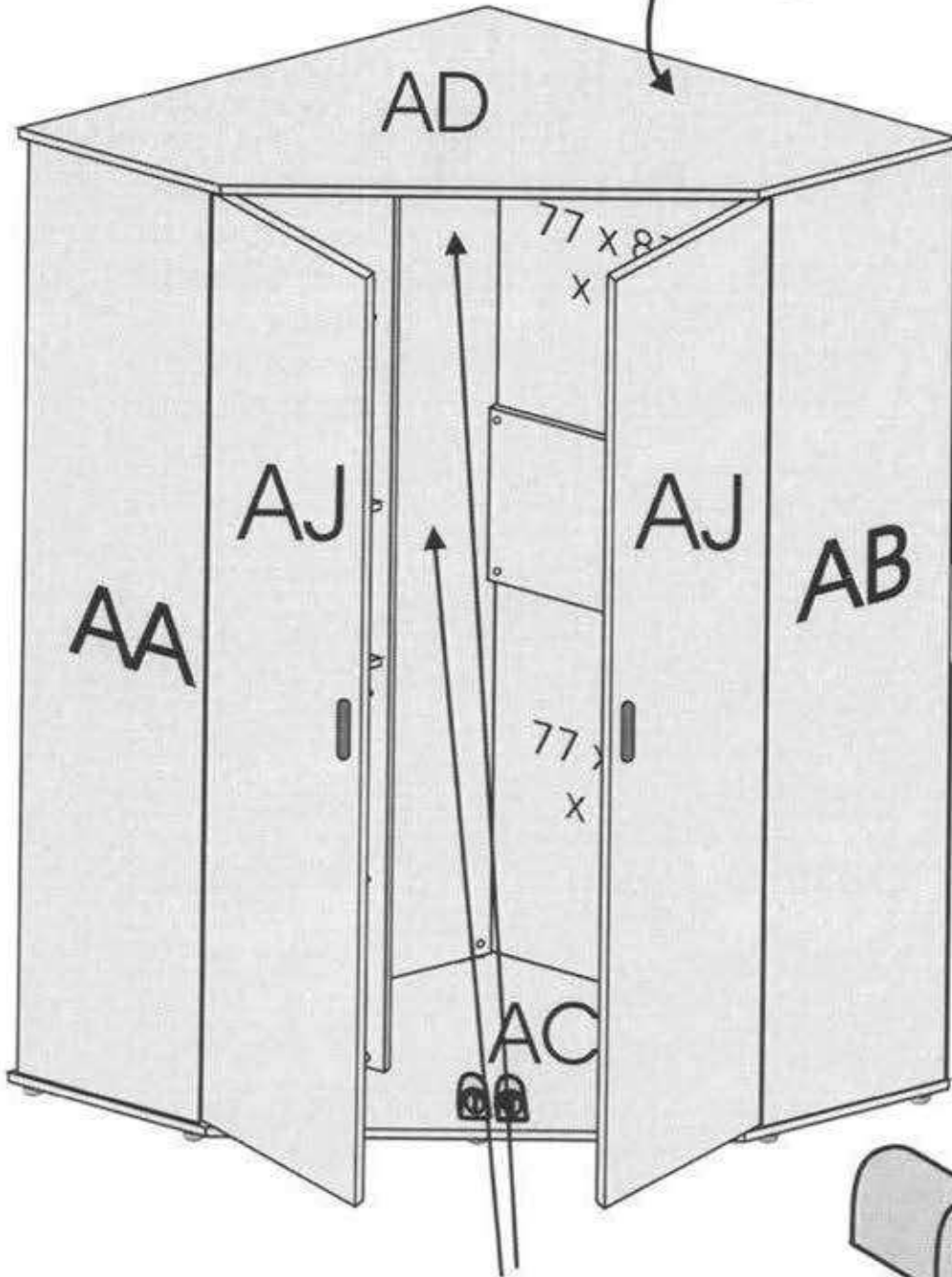
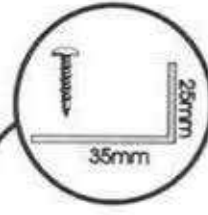
Fit Handles

Fit the handles to the outer doors first.

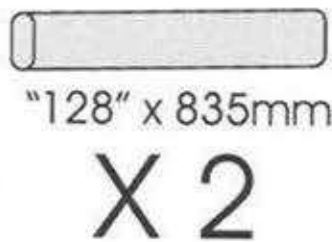
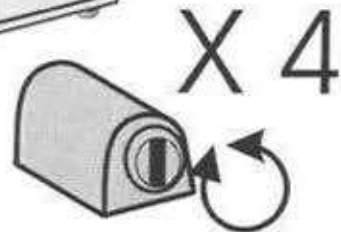
Then fit to the centre doors, keeping all handles at a similar height.



'156'		1
'43'		1



Fit the angle bracket to the back edge of the top of the cabinet. This can then be used to secure the cabinet to the wall. Use a wall fixing that is suitable for your wall, not supplied.



Adjust door stops by screwing in or out. They are magnets, but only used as stops, no striker plate is needed.

After assembly discard any extra fittings.
 In het componenten pak zitten extra schroeven etc., na de opbouw kunnen deze weggegooid worden.
 Apres Assemblage, se debarrasser de pieces de plus.
 UK Spares and Assembly HELPLINE 01572 756110