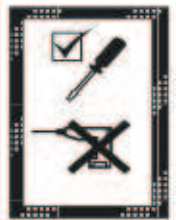
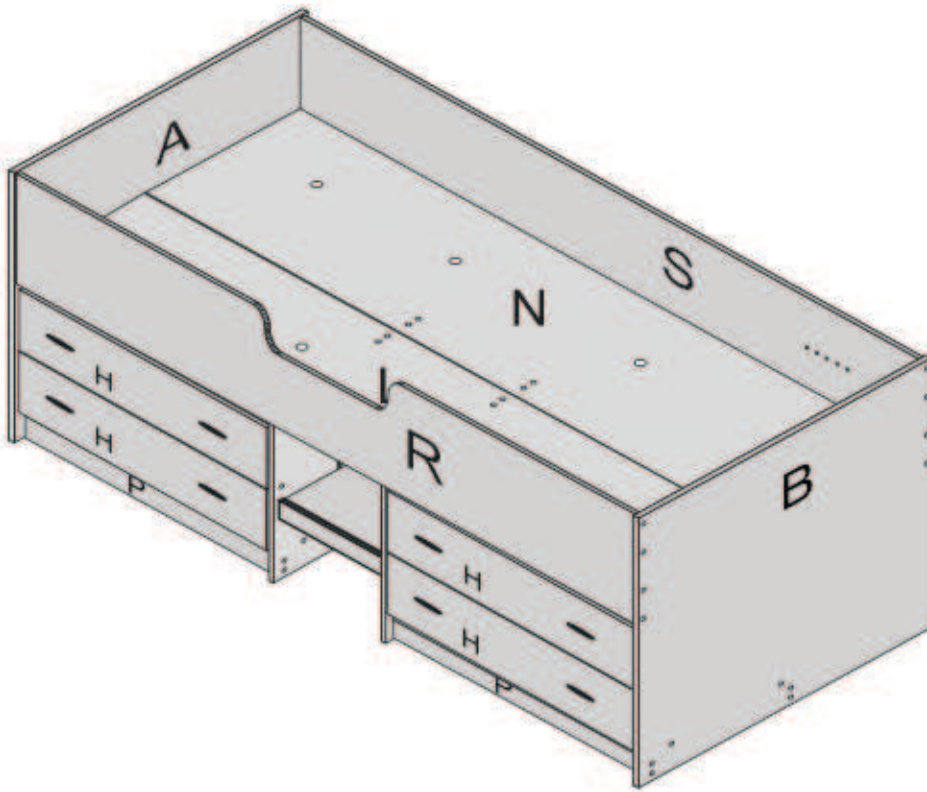


Ketton Bed

IMPORTANT - À LIRE ATTENTIVEMENT - CONSERVER POUR RÉFÉRENCE ULTÉRIEURE
 WICHTIG - BITTE SORGFÄLTIG LESEN - BEHALTEN FÜR ZUKÜNFTIGE VERWEIS
 BELANGRIJK - LEES ZORGVULDIG - BEHOUDEN VOOR TOEKOMSTIGE REFERENTIE
 IMPORTANT - READ CAREFULLY - RETAIN FOR FUTURE REFERENCE



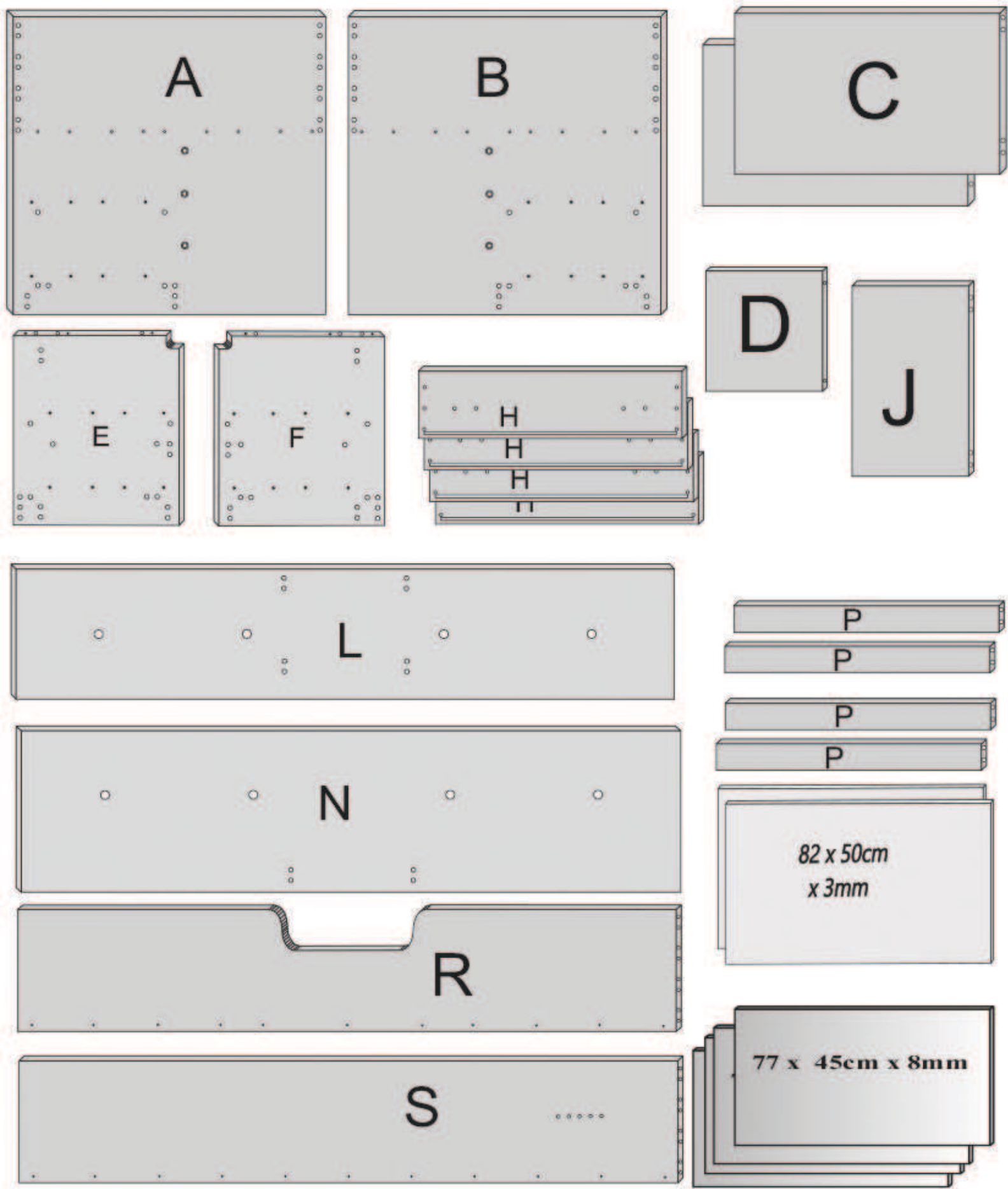
Aufbau mit 2 Personen



6 x "30" 45mm screw	34 x "220" 34 x 220mm dowel	2 x "23" Barrel nut	2 x "238" 50 x 10 mm Dowels	6 x "106" Captivated Shelf Support	32 x "44" 12 x No6, BZP, Pozzi, CSK	1 x "25" 4mm Allen key	4 pairs x "62" 4 pairs 45cm runners	
48 x "28" 50mm Conflat	16 x "35" 20mm x M4	8 x "131" 8mm Metal bands	40 x "155" DT 484	30 x "13" Pin	120 x "43" 12 x no6 Pin BZP?csk	3 or 6 x "219" Glue		
A — 1	L — 1	4 x 77 x 45 cm x 8mm				1 x "534" U channel	2 x "18" M6 x 50mm Const bolt	4 70 x 45 x 18mm
B — 1	N — 1	2 x 82 x 50cm x 3mm						
C — 2	P — 4							
D — 1	R — 1							
E — 1	S — 1							
F — 1								
H — 4								
J — 1						1 x "570" 35cm step	"990" Nail Tool	48 x "997" Conflat cover cap

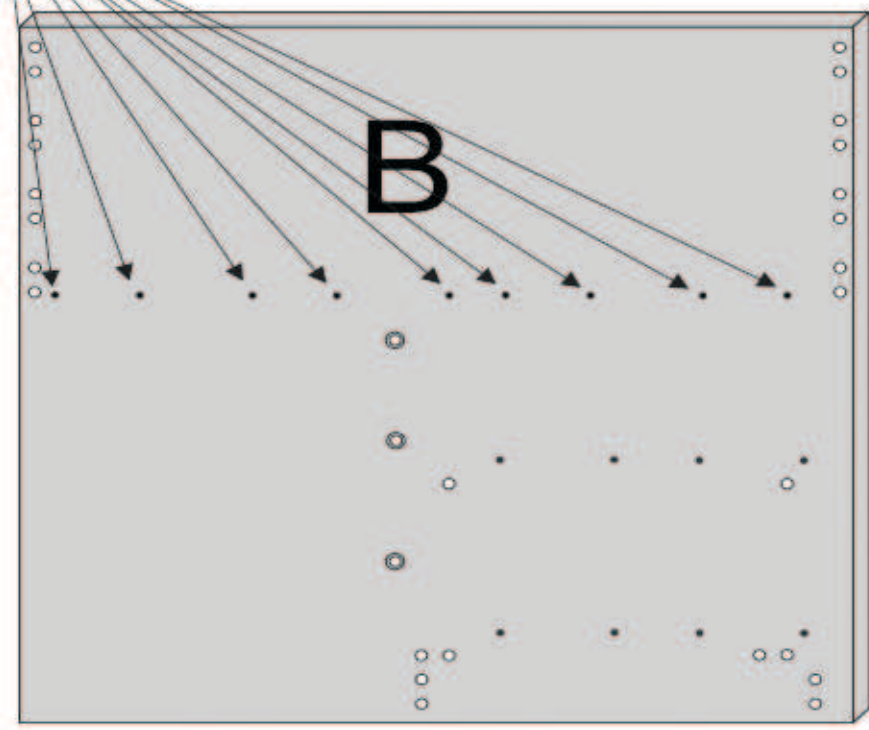
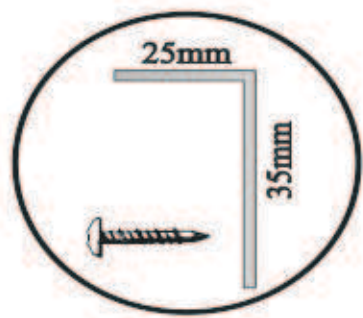
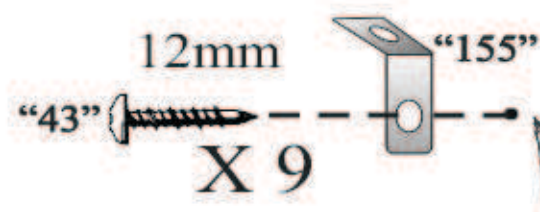
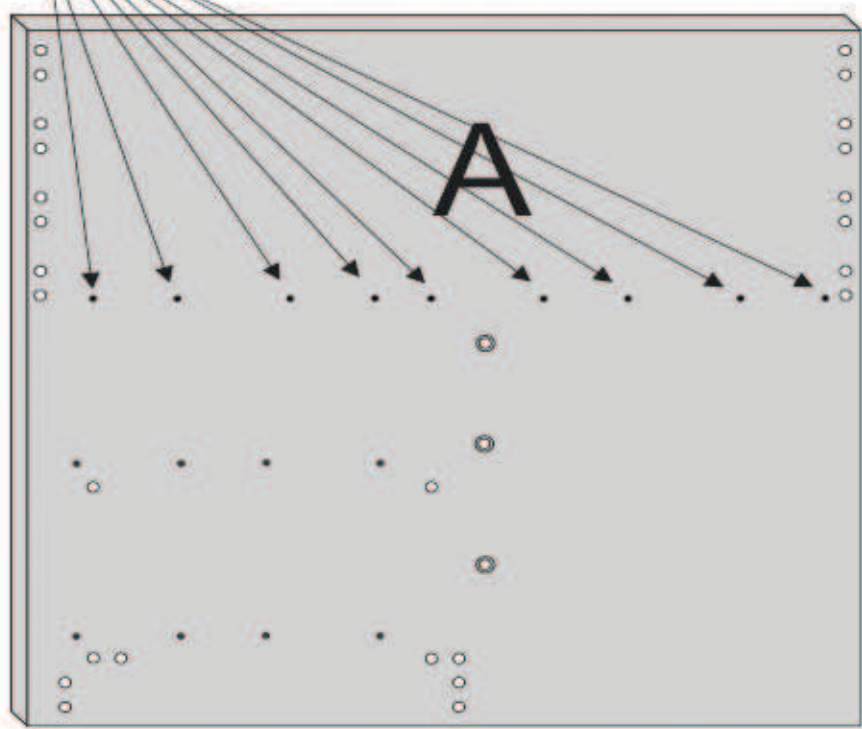
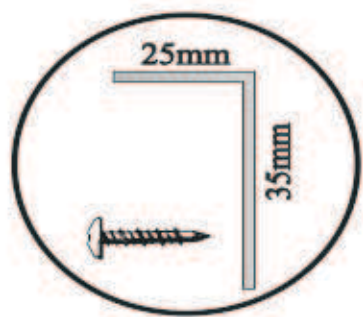
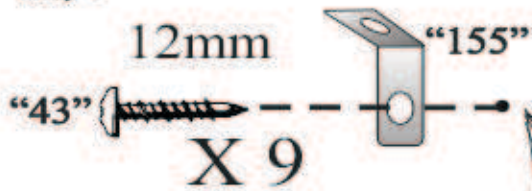


Ketton Bed



Ketton
Step 1

 12mm "43"	 18 "155"
--	---

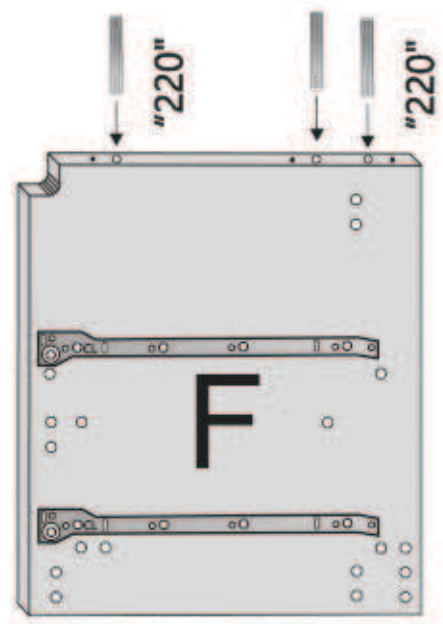
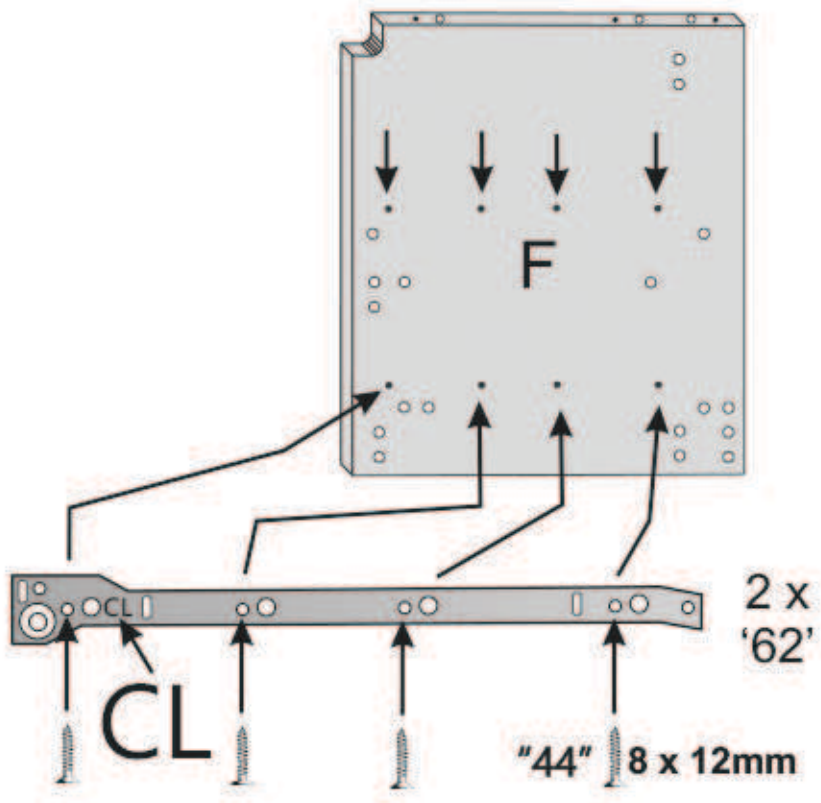
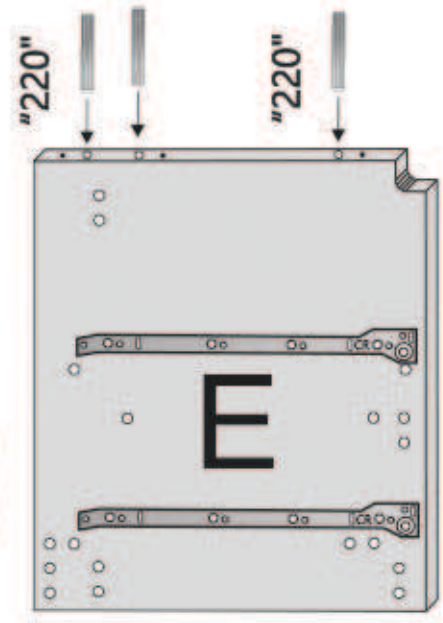
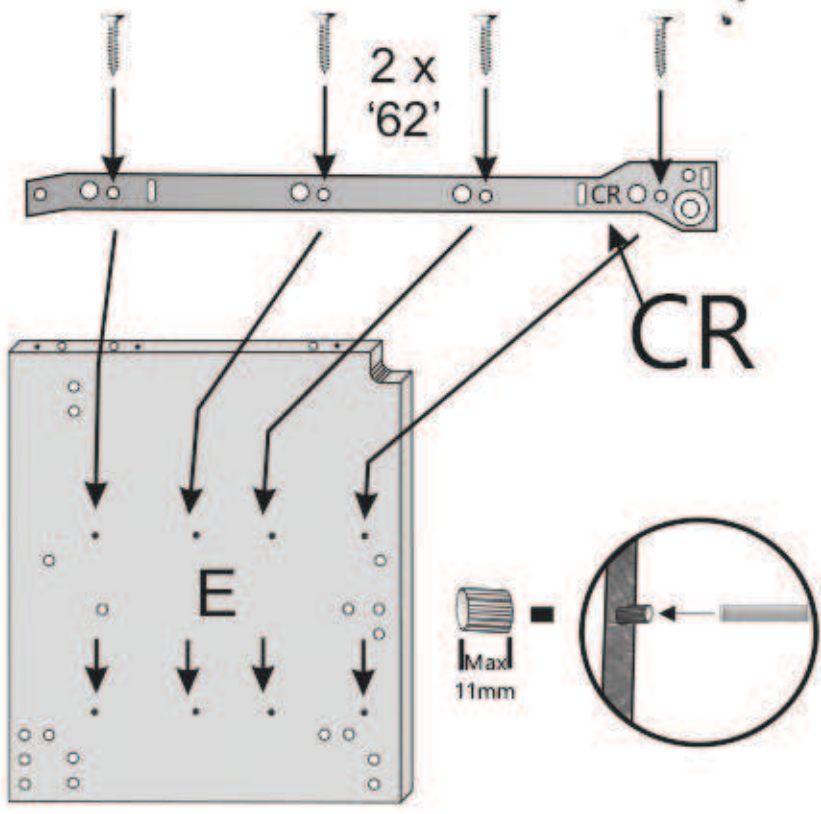


Ketton
Step 2

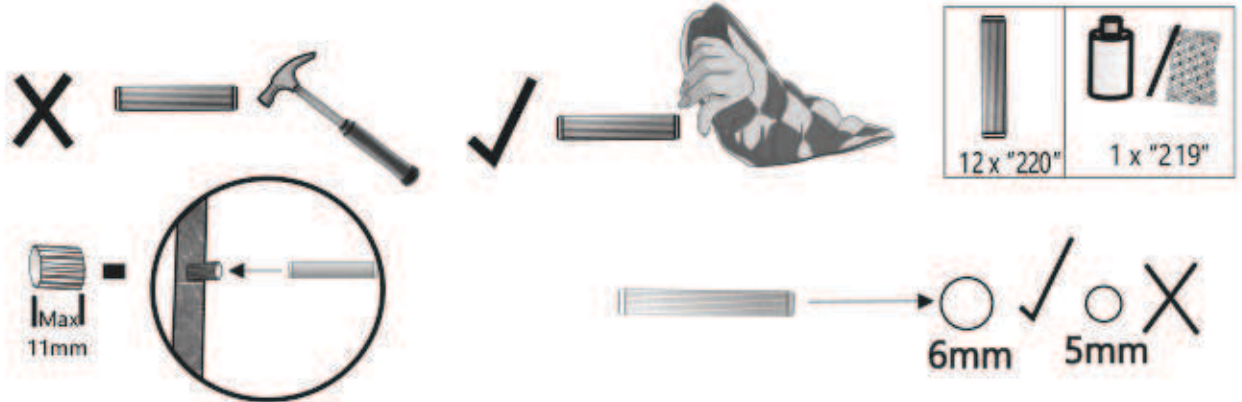


'62'	'44'
2-CR	12mm
2-CL	16
	6 x "220"

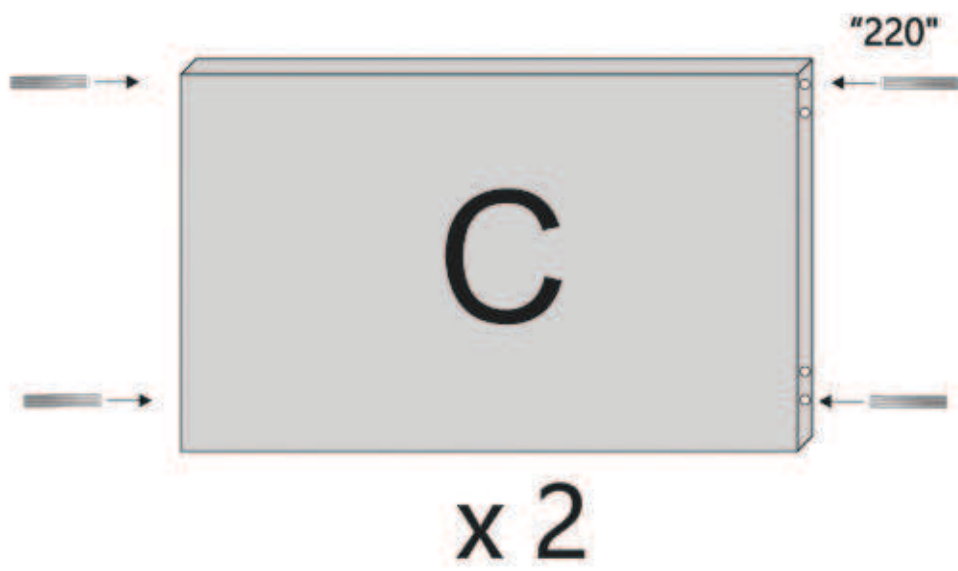
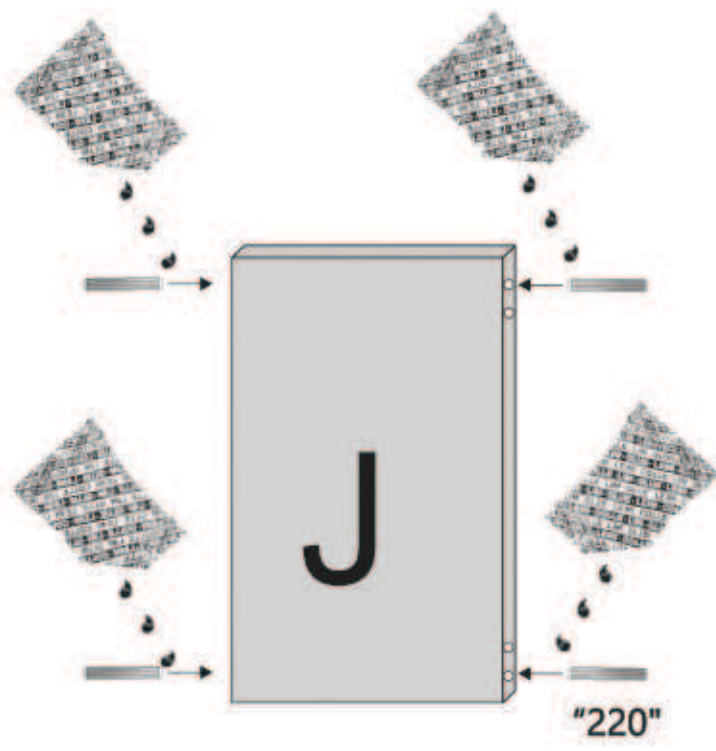
"44"
8 x 12mm



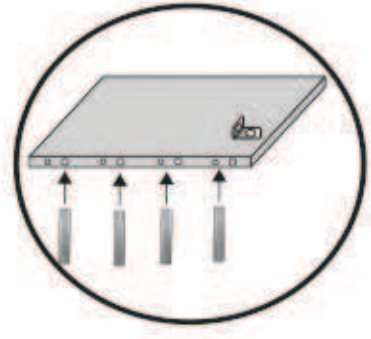
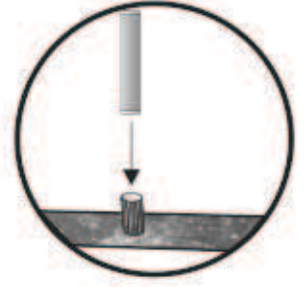
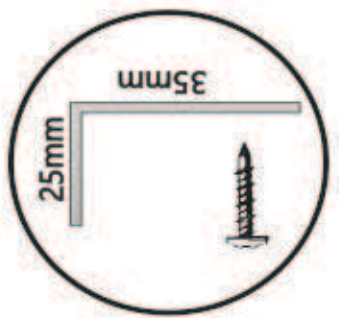
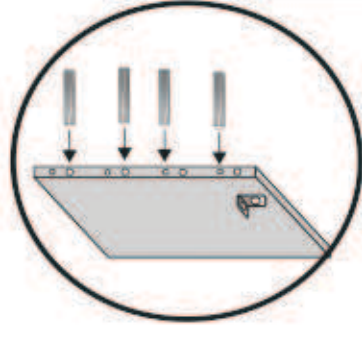
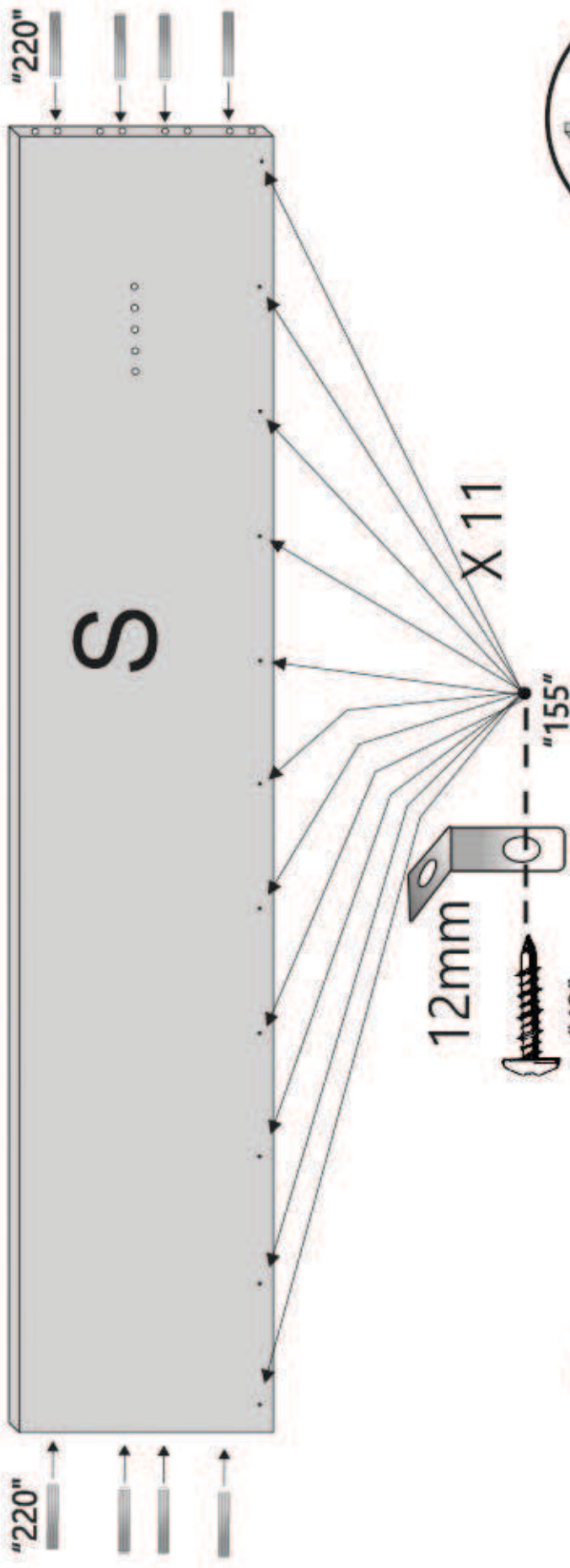
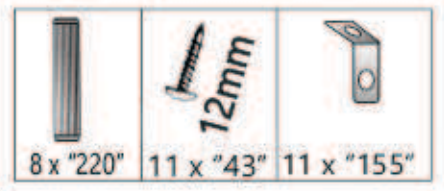
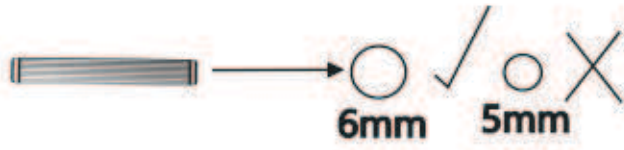
Ketton
Step 3



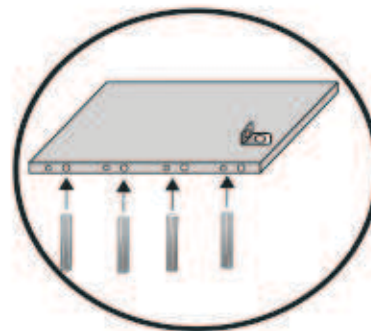
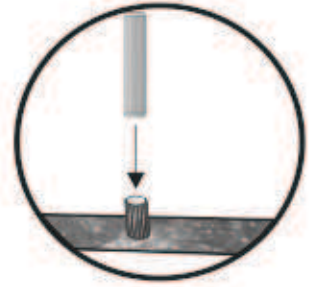
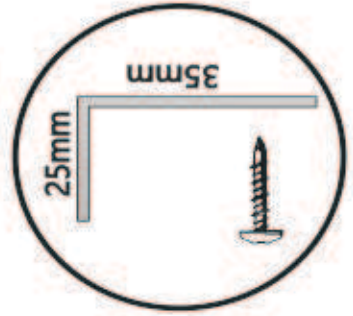
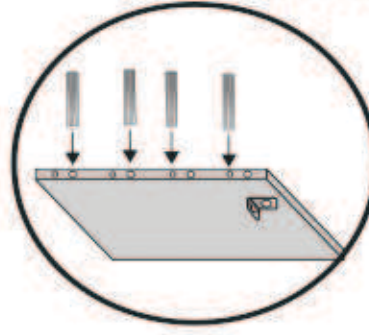
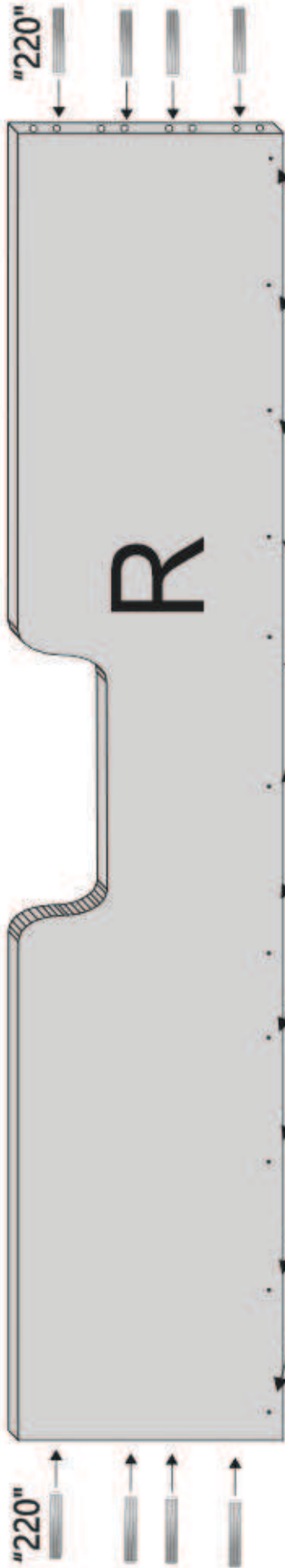
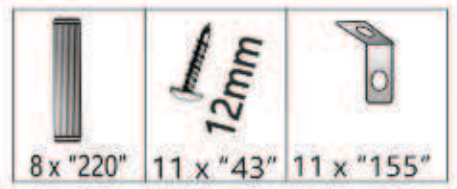
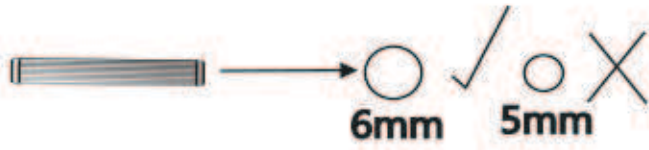
 12 x "220"	 1 x "219"
--	---



Ketton
Step 4



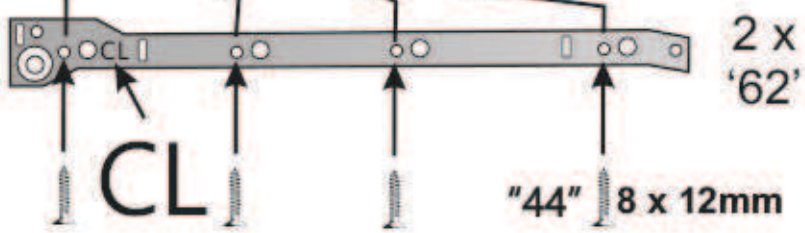
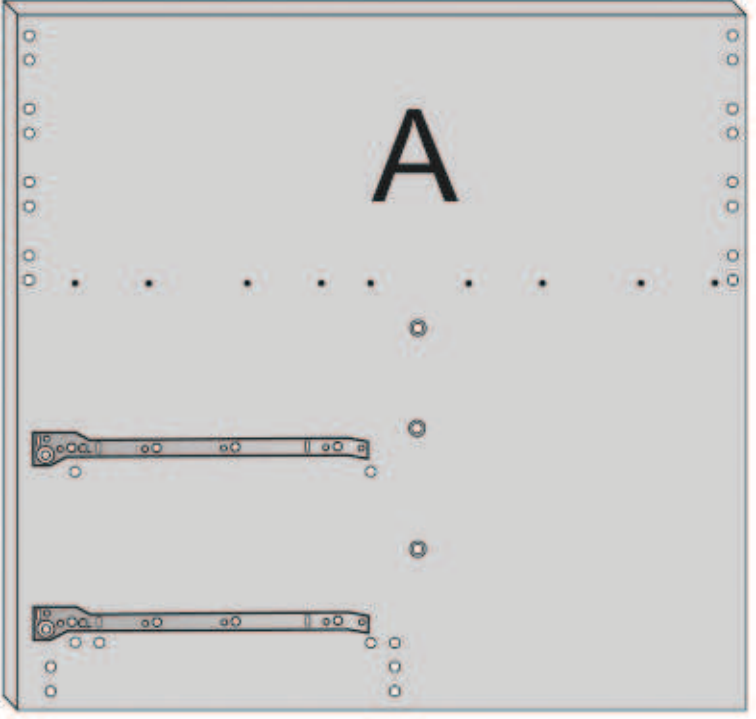
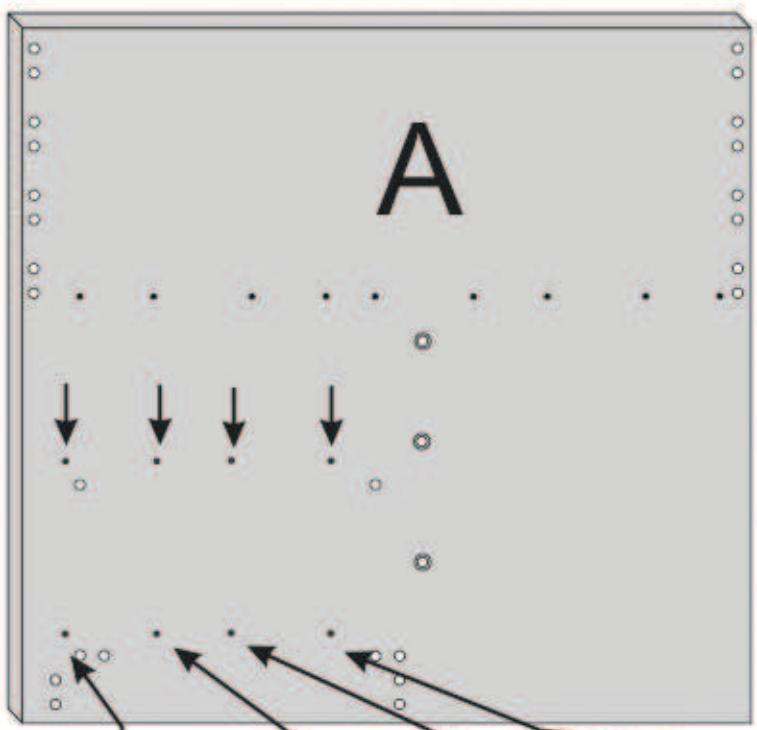
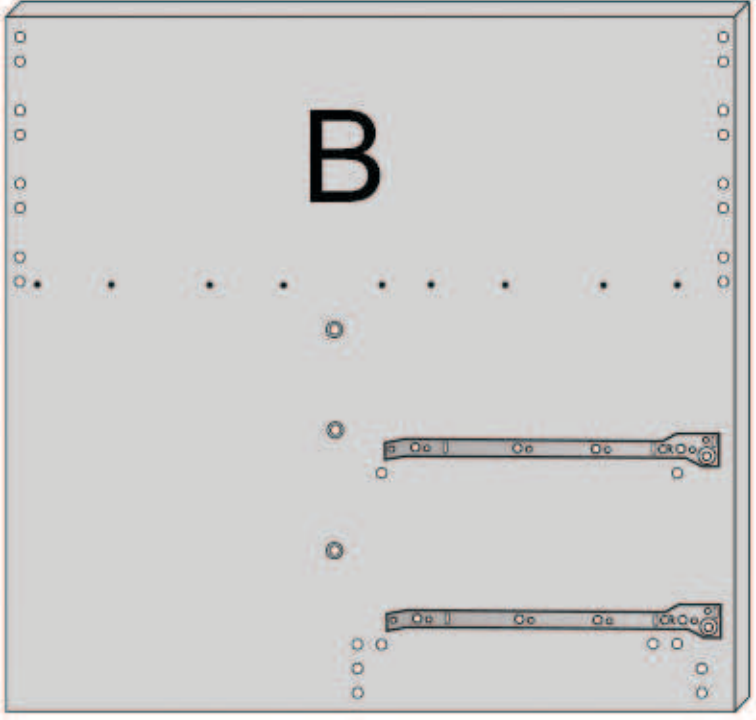
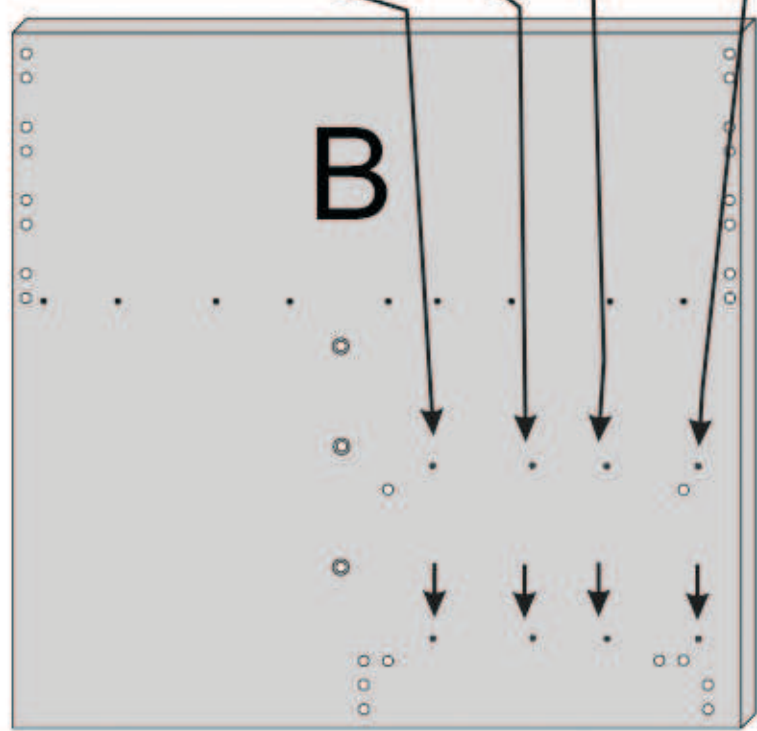
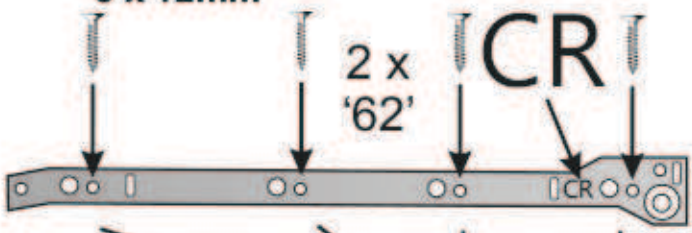
Ketton
Step 5



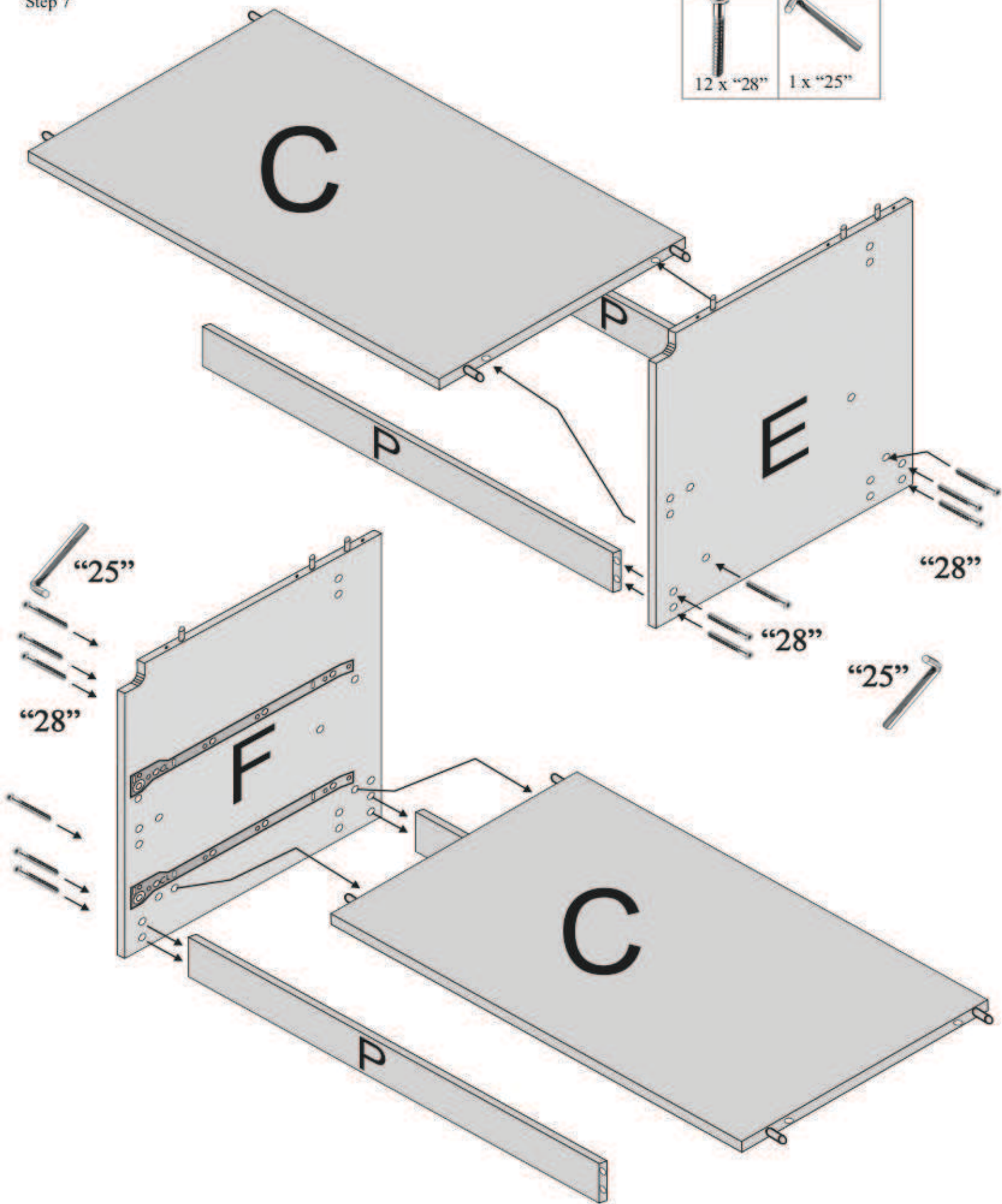
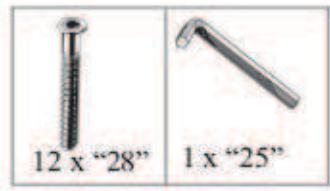
"44"
8 x 12mm

2 x
'62'
CR

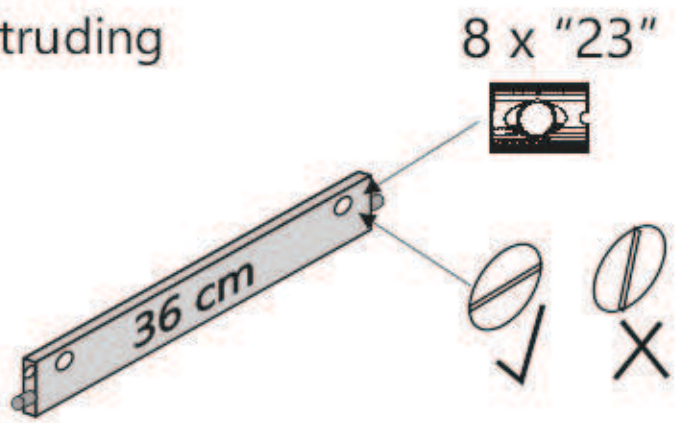
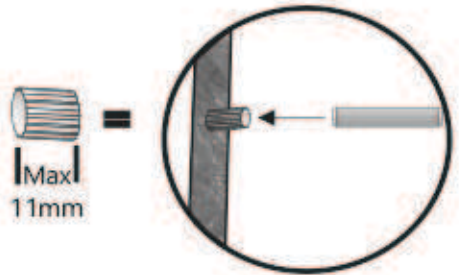
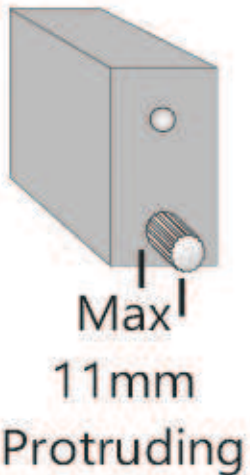
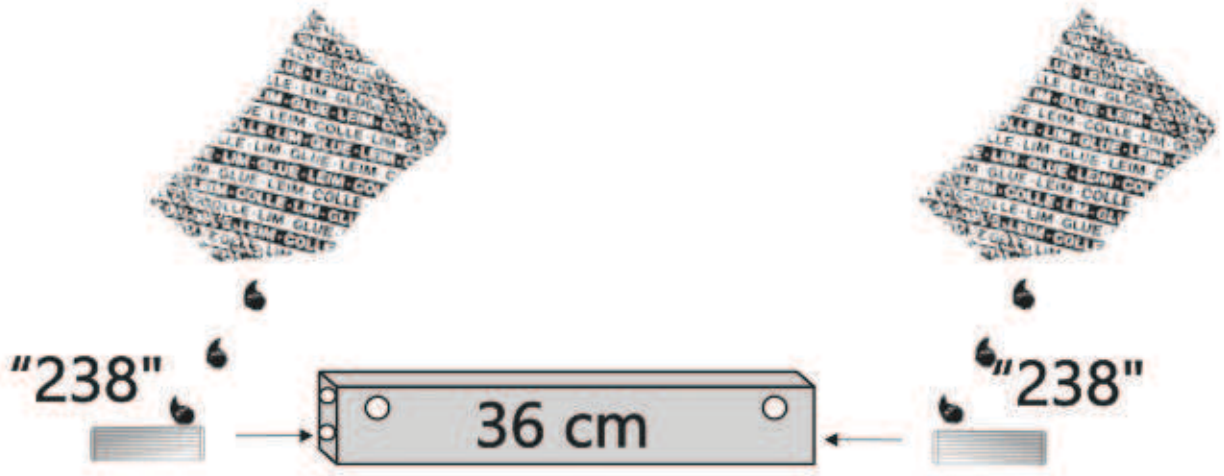
'62'	'44' 12mm
2-CR	
2-CL	16

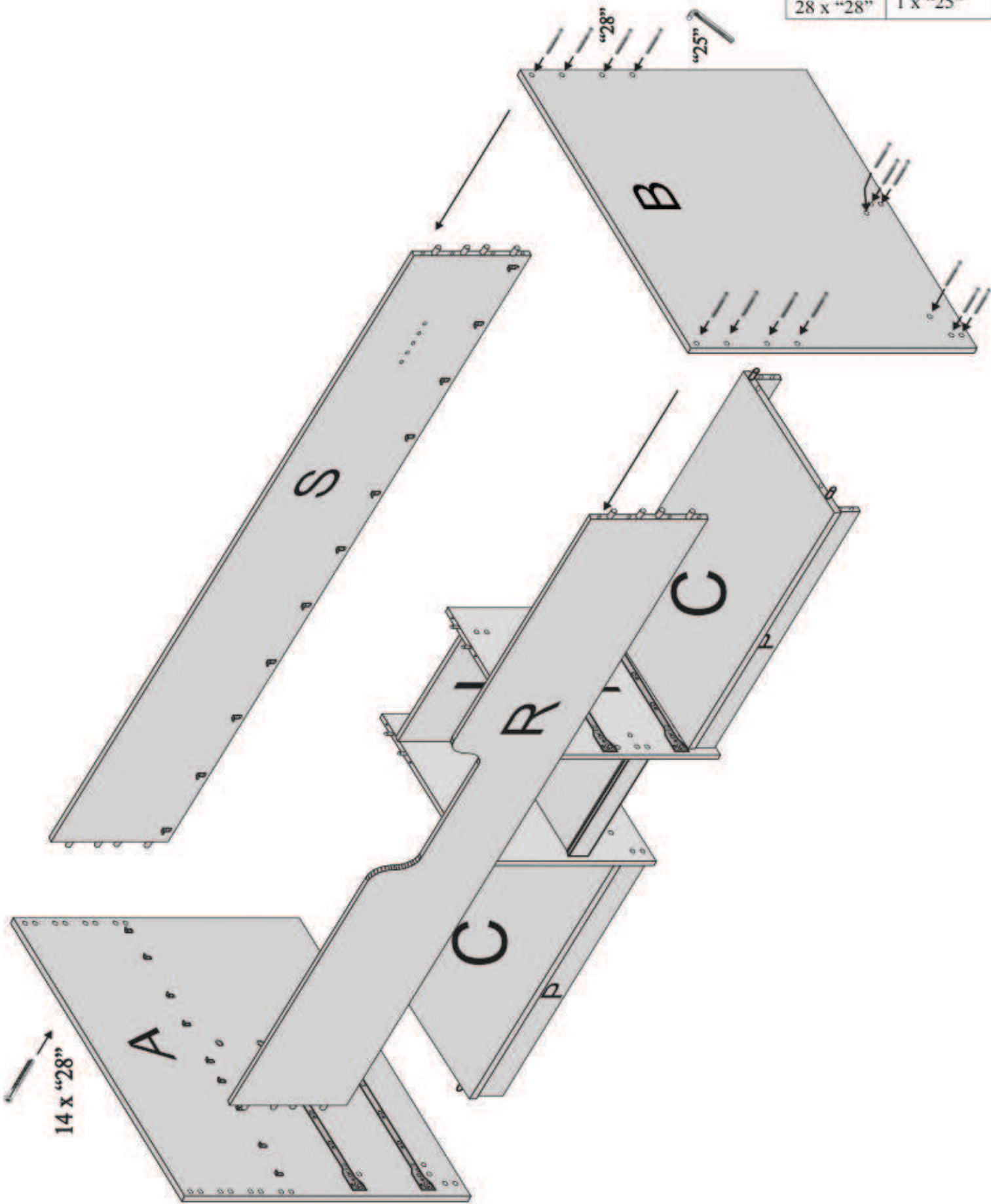
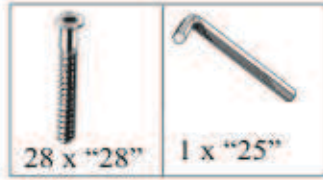


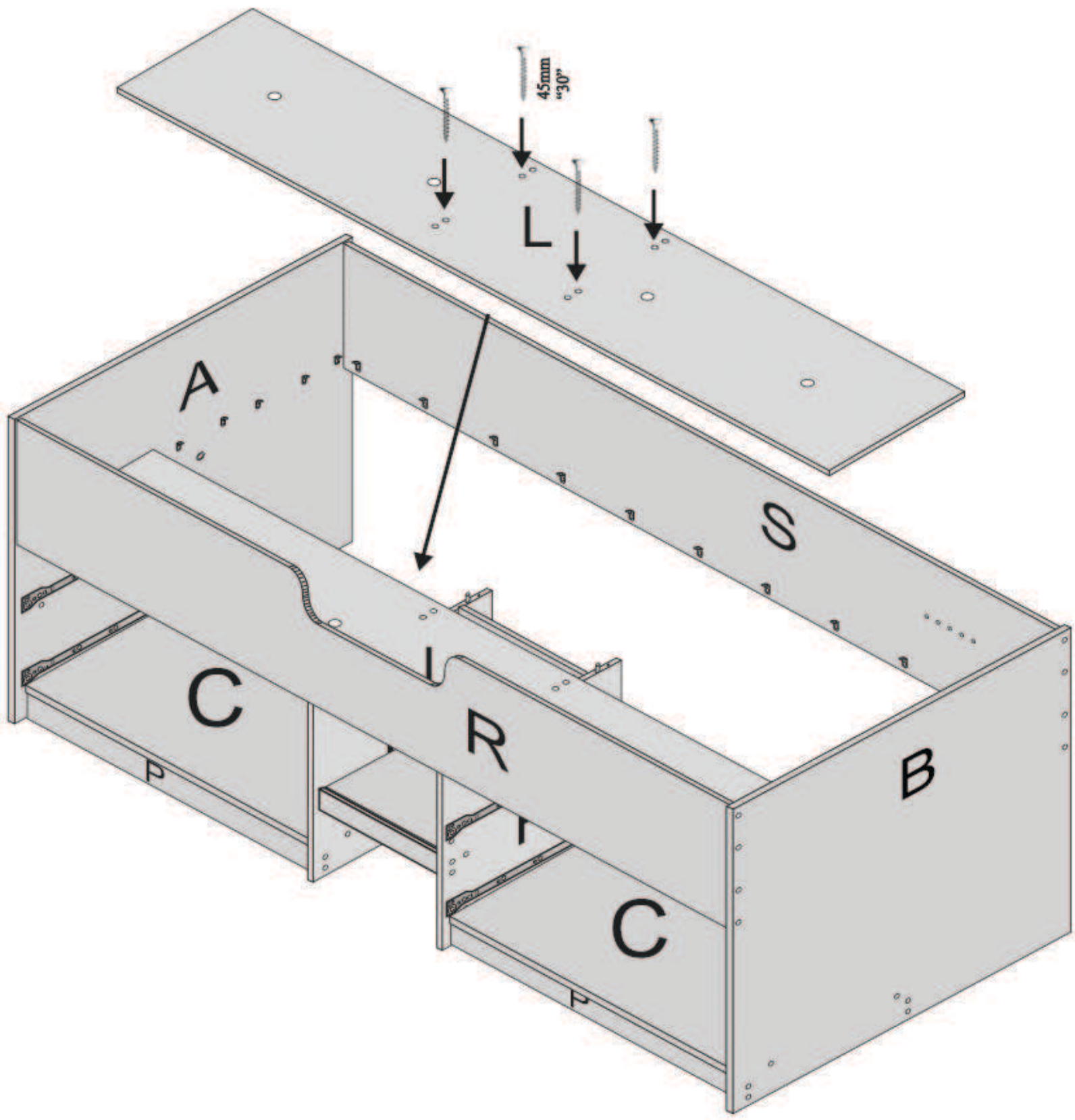
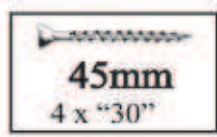
2 x
'62'

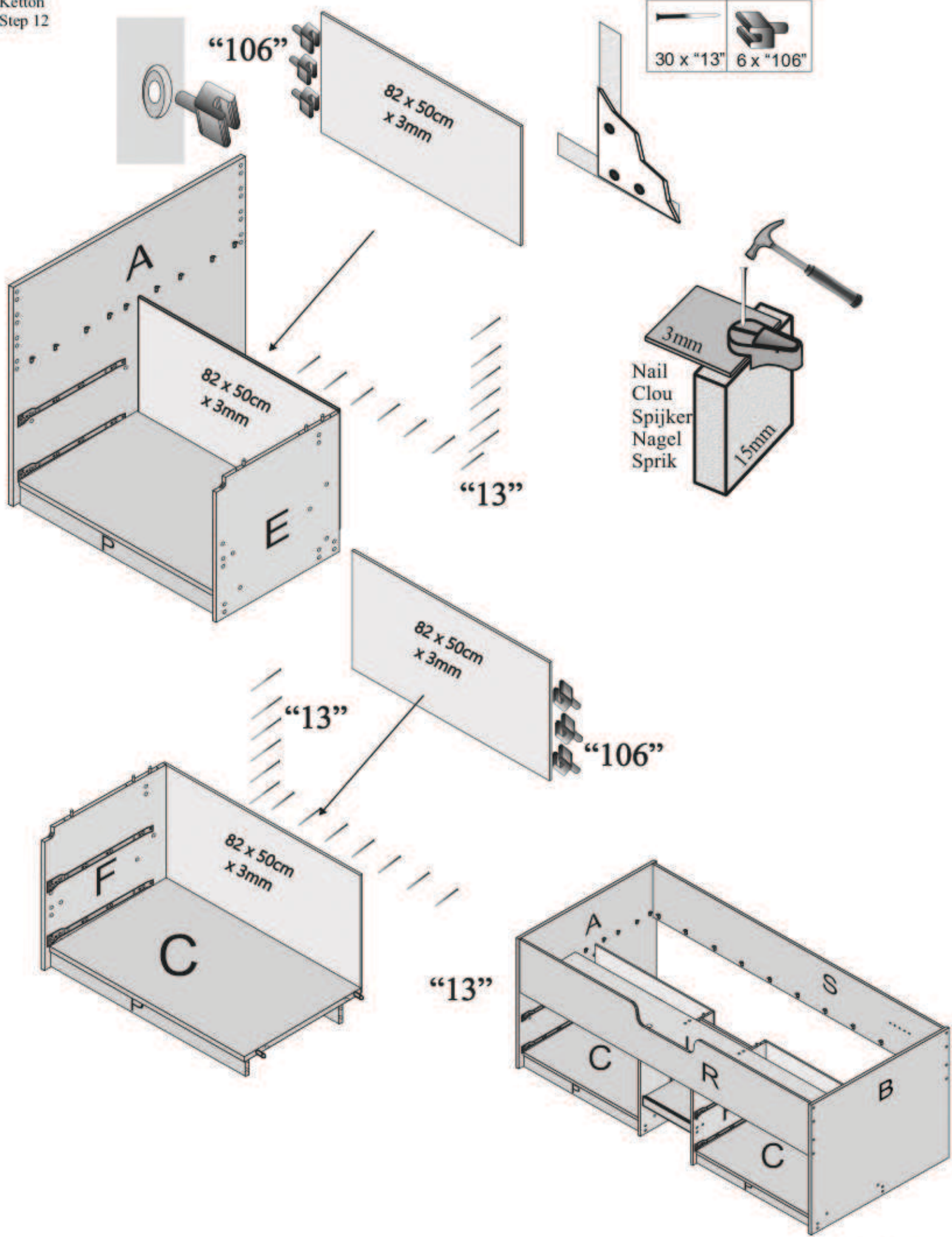




 2 x "23"	 1 x "219"	 2 x "238"
--	---	---

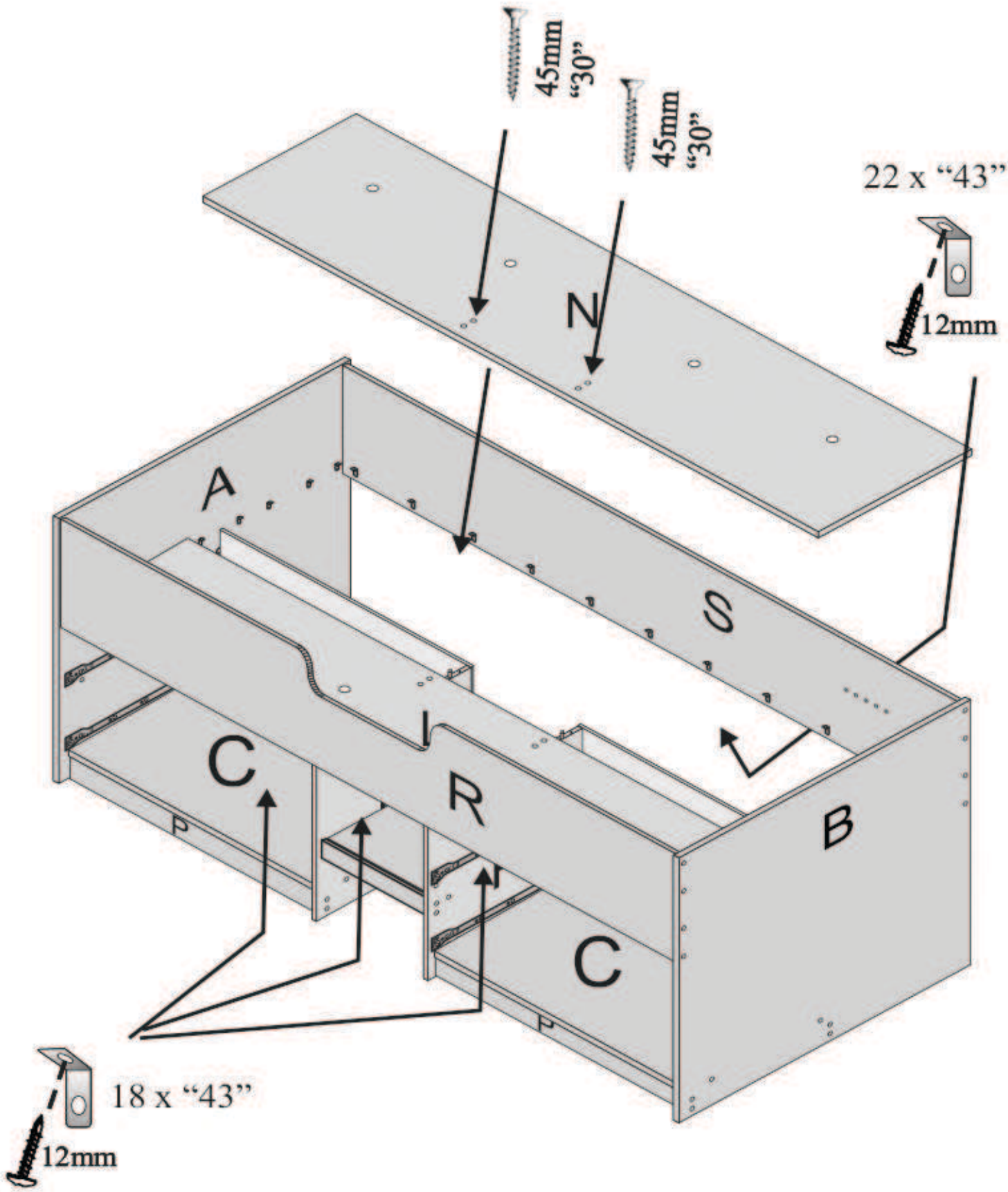




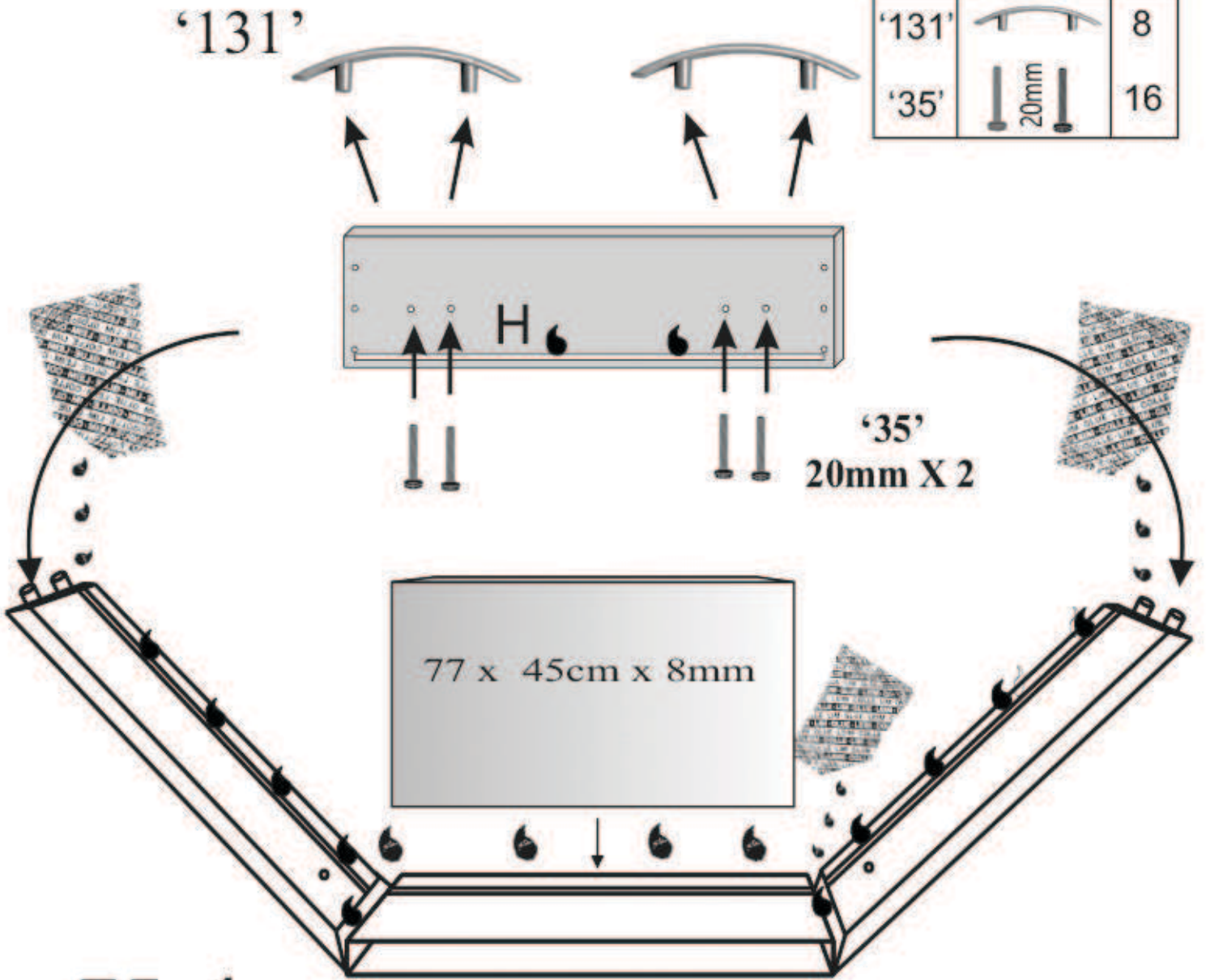




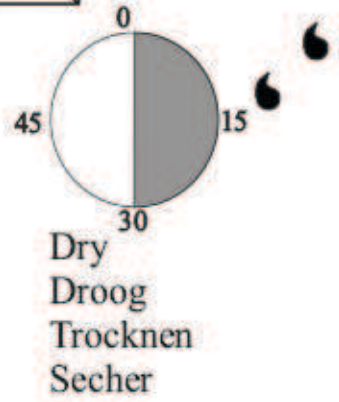
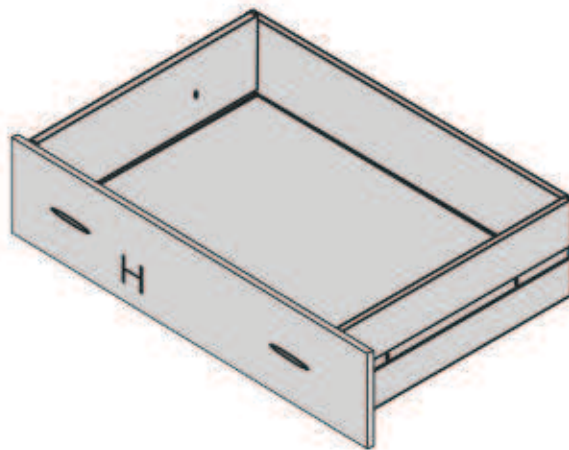
 45mm 2 x "30"	 12mm 40 x "43"
---	--

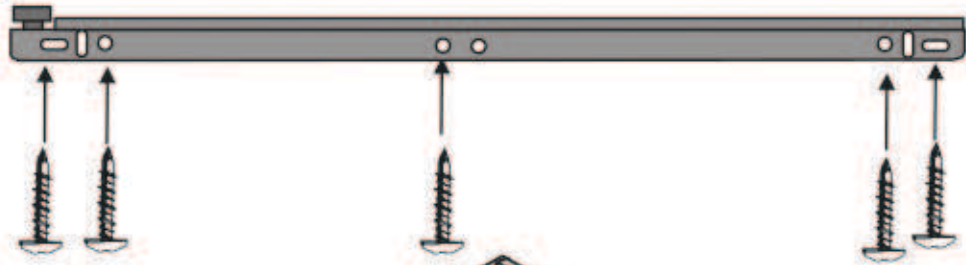


'219'		4
'131'		8
'35'	 20mm	16

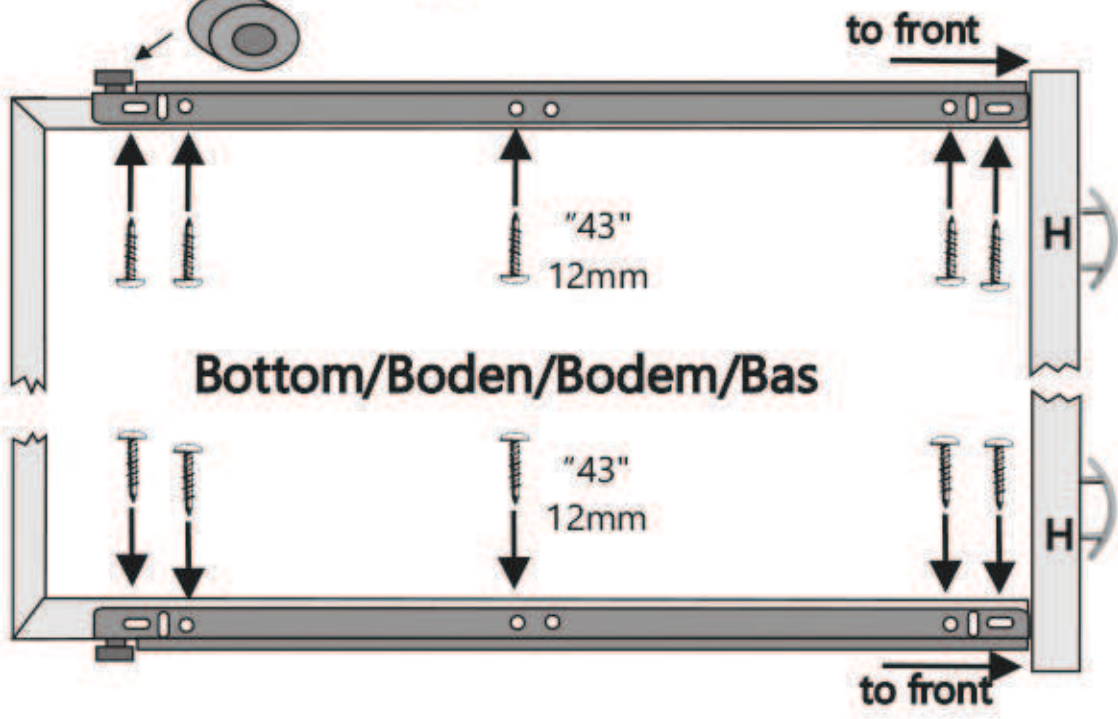
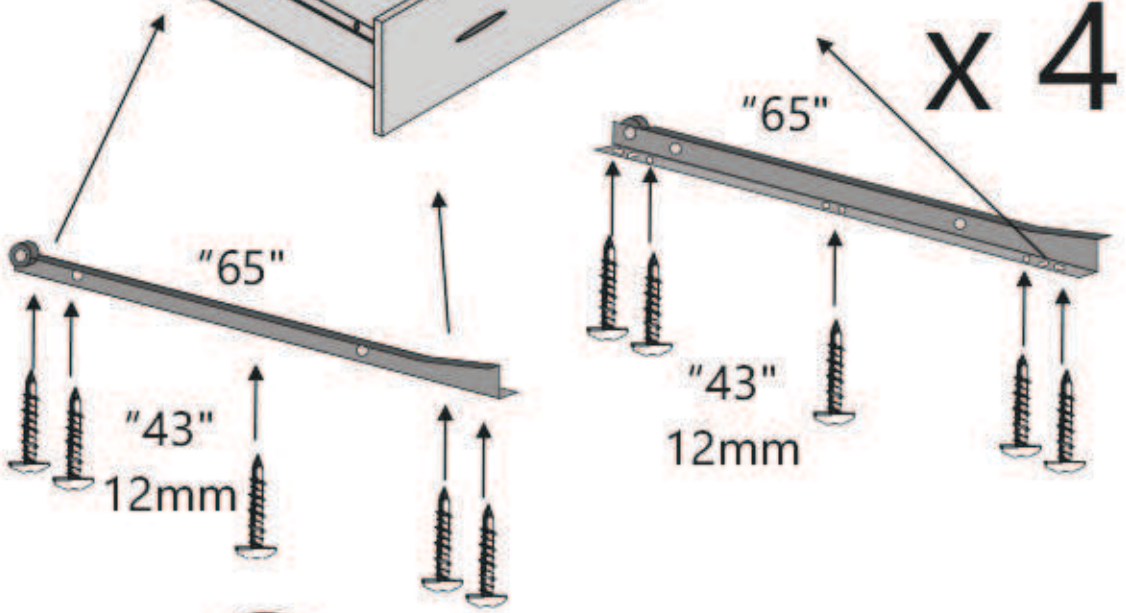
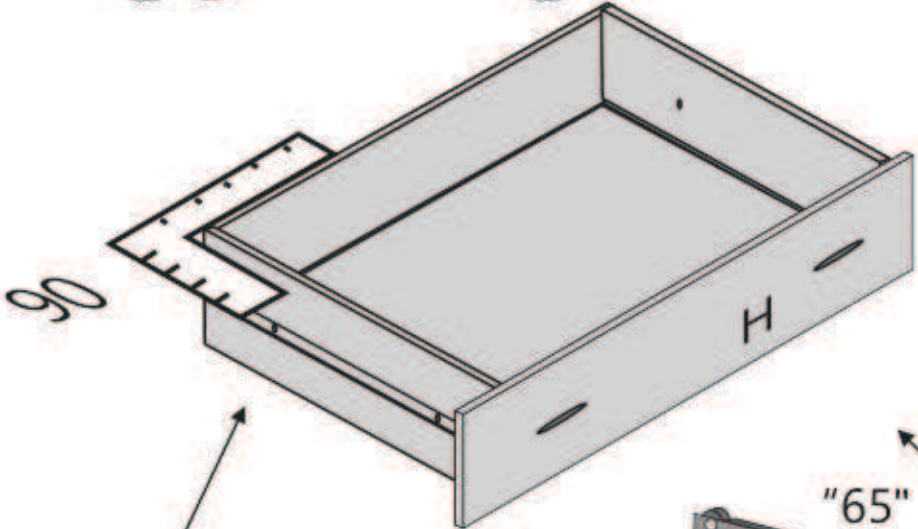


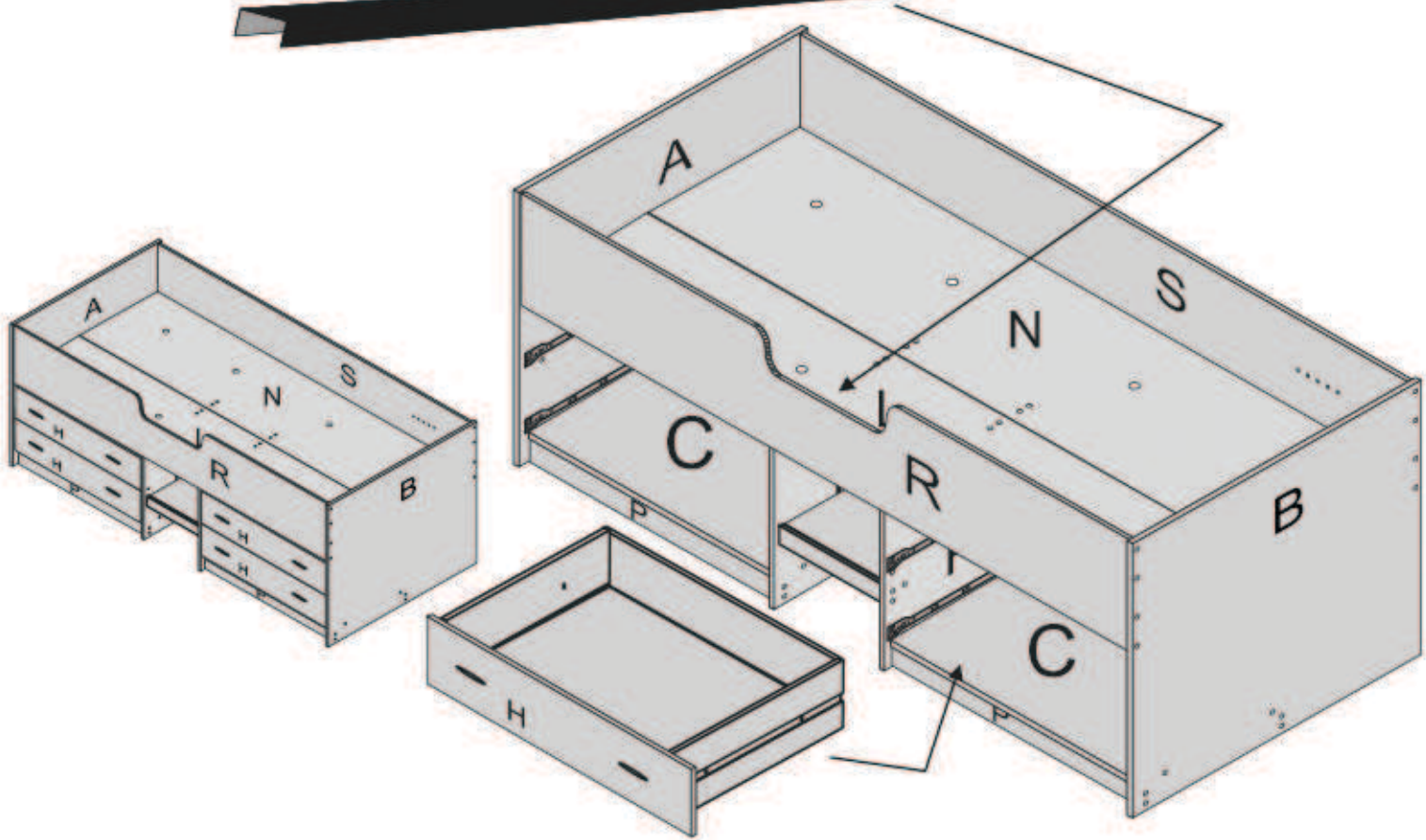
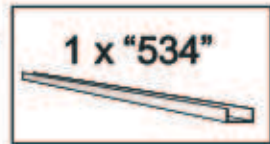
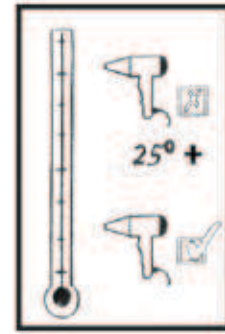
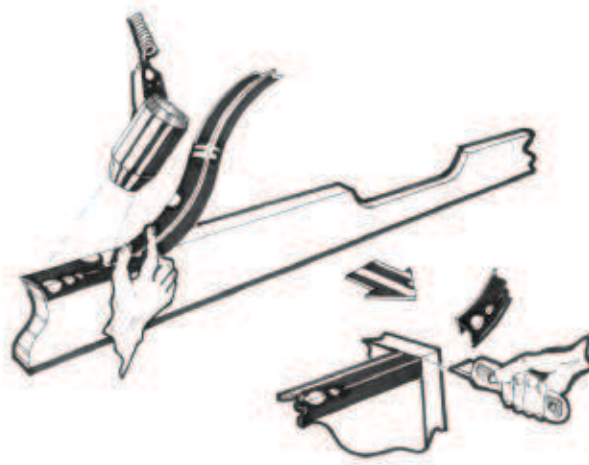
X 4





	4x2
"65"	
"43"	
	40





- 1. WARNING;** Do not use the bed if any structural part is broken or missing.
2. Always follow the manufacturers instructions to assemble the bed.
3. The recommended size of mattress for this bed is 200 x 90 x 15cm, for younger children as that keeps the safety rail at a maximum, but for older children and adults it can be thicker. The maximum suggested height for younger children is marked on the back panel of the bed.
4. Ventilation of the room is necessary in order to keep the humidity low and to prevent mould in and around the bed.
5. All assembly fastenings, including screws, should be regularly checked to ensure they are properly tightened.