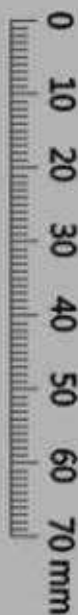


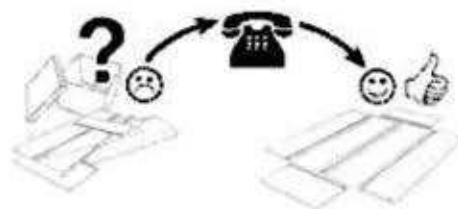
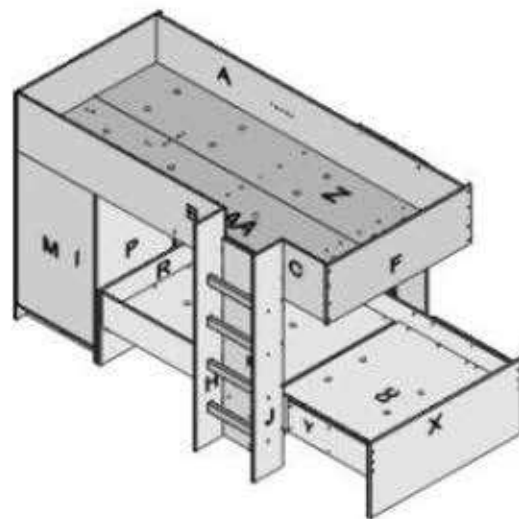
Southwold

- | | | |
|---|--|---|
| D Montageanleitung
Bett Southwold | GB Assembly instructions
Bed Southwold | FR Notice de montage
Lit Southwold |
| NL Montage-instructies
Bed Southwold | PL Instrukcje montazu
Łózko Southwold | SK Návod na montáž
Postel Southwold |
| TR Montaj talimatları
Yatak Southwold | RU Инструкция по монтажу
Bed Southwold | HU Szerelési útmutató
Agy Southwold |
| IT Istruzioni di
montaggio
Letto Southwold | CZ Montážní návod
Postel Southwold | RO Instrucțiuni de montaj
Pat Southwold |



**Service • Assistenza • Dienstverlening • Servis
Servis • Szerviz • Нăдăећіау нăеаеа**

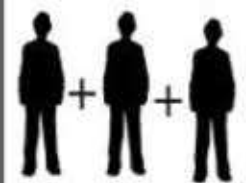
Name • Nom • Nome • Naam • Nazwa • Jméno • Název • Név • Denumire • Isim • Название	Southwold Bed
Nr. • No. • N° • Номер • Č. • Sz	
Typ • Type • Tip • Típus • Тип • Тип	
	White



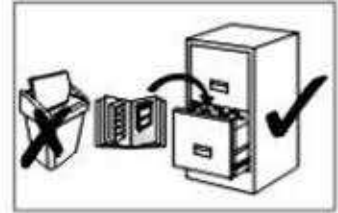
A - 1	D - 3	G - 1	K - 1	N - 1	R - 1	V - 1	Y - 1	BB - 1	EE - 1
B - 1	E - 1	H - 1	L - 2	P - 1	S - 1	W - 1	Z - 1	CC - 1	FF - 1
C - 1	F - 1	J - 1	M - 1	Q - 1	T - 1	X - 1	AA - 1	DD - 1	

8 x "23" 18mm Barrel Nut	2 x "118" Hang supp	6 x "44" 12 x 12mm Bolt	2 x "25" 4mm Allen key	74 x "28" 50mm Confirmat	2 x "29" 70mm Confirmat	66 x "43" 12mm Drill Bit	1 x "121" 49cm Oval Rail
2 x "205" 17mm Crank Hinge	2 x "206" 26mm Hinge Plate	8 x "18" 51 x 6mm Bolts	1 x "131" 64mm Metal D	2 x "35" M4 x 20mm Pan	1 x "998" 998	30 x "155" DT 484	
12 x "14" 6mm Locknut	10 x "30" 45mm screws	8 x "238" 51 x 10mm dowel	1 x "190" 10mm Mag Catch	74 x "997" 74 x 997	4 x "78" 7mm Hole Plugs	44 x "31" 35mm x No8 pan	3 x "165" 165
48 x "21" 35 x No8 pan	82 x "220" 38 x 6mm dowel			1 x "219" Glue	33 x "54" M6 x 26mm	21 x "33" M6 Cab Connect	190mm Plate
	1 x "534"			1 x "152"		4 "36cm Mdf"	MDF Foot Rail

Belvoir Associates Ltd
51 Pillings Road
Oakham
Rutland
England
LE15 6QF

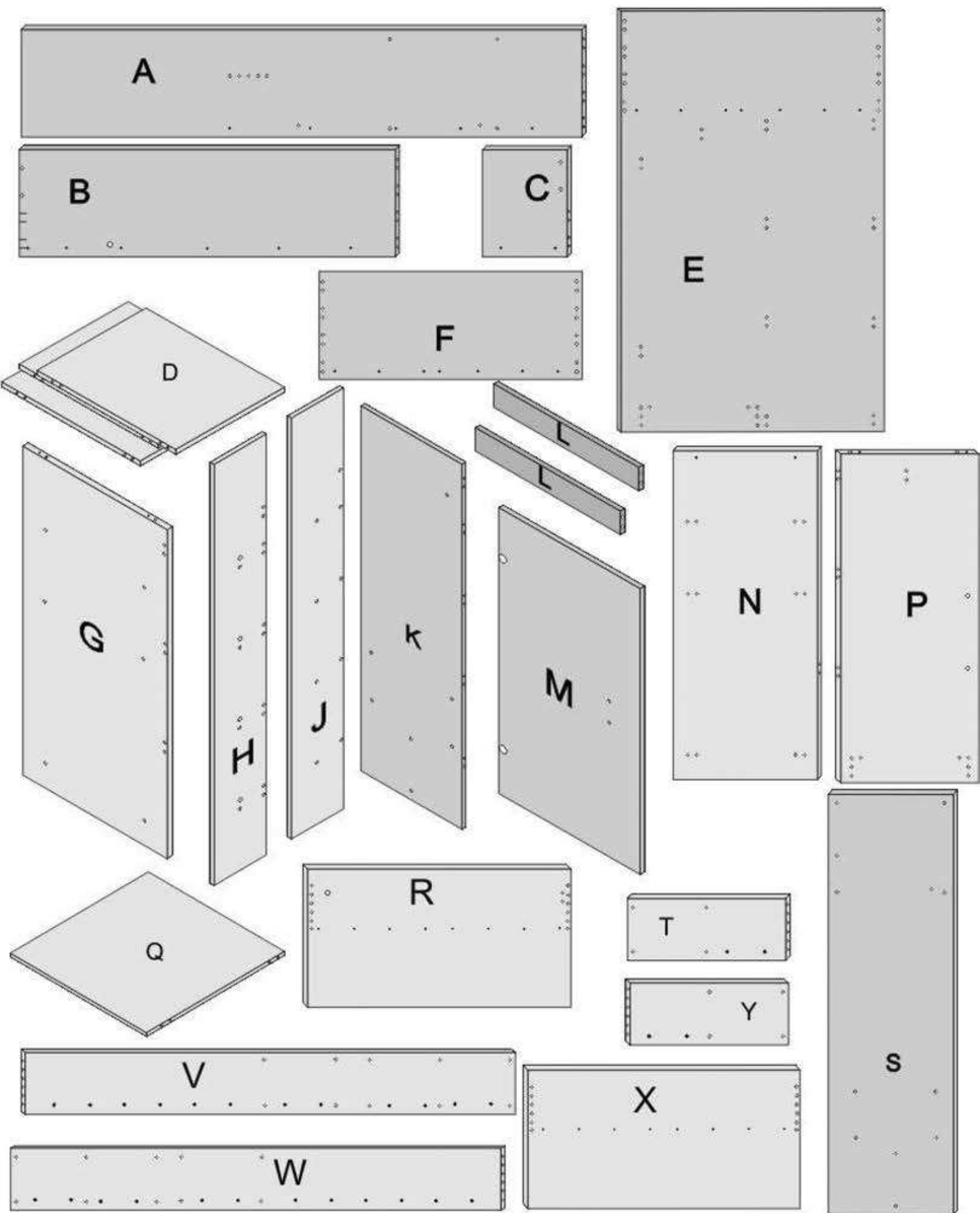


**WICHTIG - BITTE SORGFÄLTIG LESEN -
BEHALTEN FÜR ZUKÜNFTIGE VERWEIS
IMPORTANT - READ CAREFULLY - RETAIN FOR
FUTURE REFERENCE**



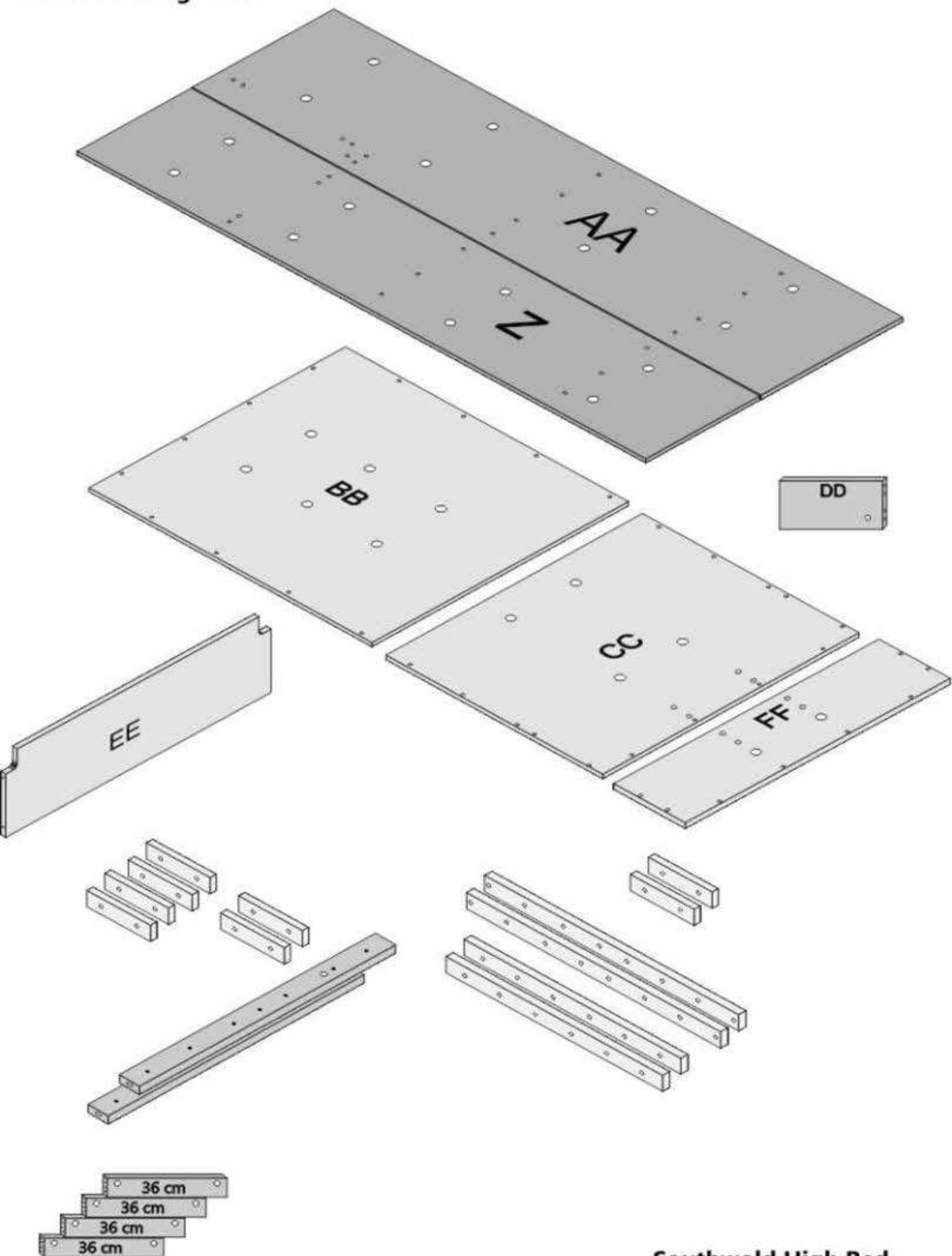
- 1. WARNING;** High Beds and the upper beds of bunk beds are not suitable for children under six years of age due to the risk of injury from falls.
- 2. WARNING;** Bunk beds and High beds can present a serious risk of injury from strangulation if not used correctly. Never attach or hang items to any part of the bunk bed or high bed that are not designed to be used with the bed, for example, but not limited to ropes, strings, cords, hooks, belts and bags.
- 3. WARNING;** Children can become trapped between the bed and the wall, a roof pitch, the ceiling, adjoining pieces of furniture (e.g. Cupboards) and the like. To avoid risk of serious injury the distance between the top safety barrier and the adjoining structure shall not exceed 75 mm or shall be more than 230 mm.
- 4. WARNING;** Do not use the bunk bed or high bed if any structural part is broken or missing.
5. Always follow the manufacturers instructions to assemble the bed.
6. The recommended size of mattress for the upper bed is 200 x 90 x 15cm.
7. The maximum mattress thickness for the upper bed is 15cm. The maximum height is marked on the back panel of the upper bed.
8. Ventilation of the room is necessary in order to keep the humidity low and to prevent mould in and around the bed.
9. All assembly fastenings, including screws, should be regularly checked to ensure they are properly tightened.
10. Make sure your child is shown how to use the ladder safely.
11. The bed is made to EN 747-1:2012+A1:2015 (E).

Southwold High Bed



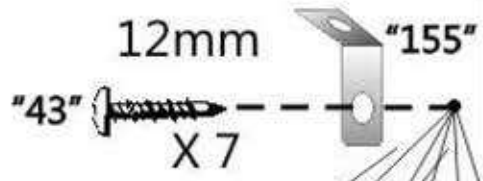
Southwold High Bed

Southwold High Bed

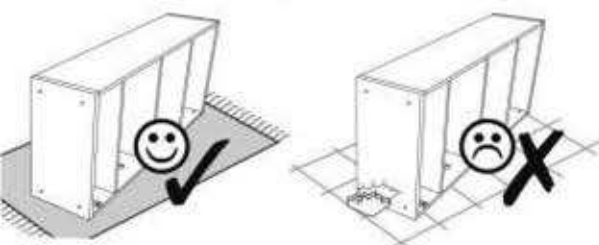
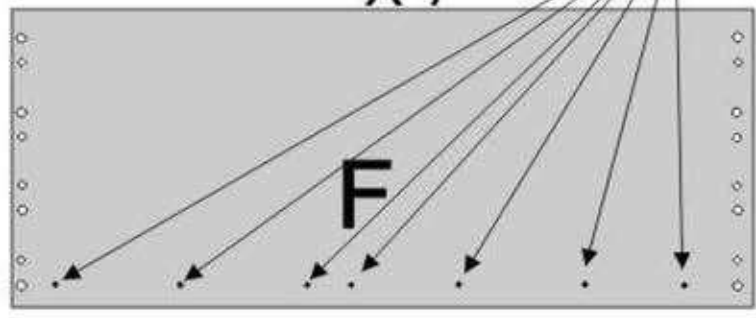
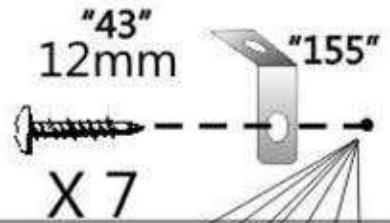
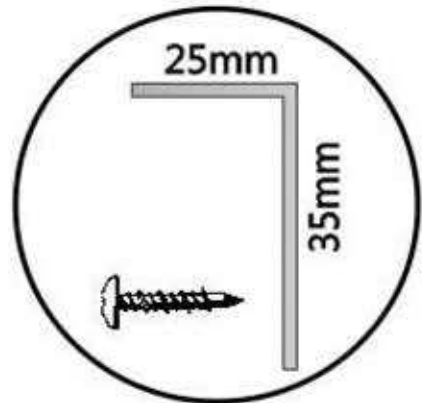
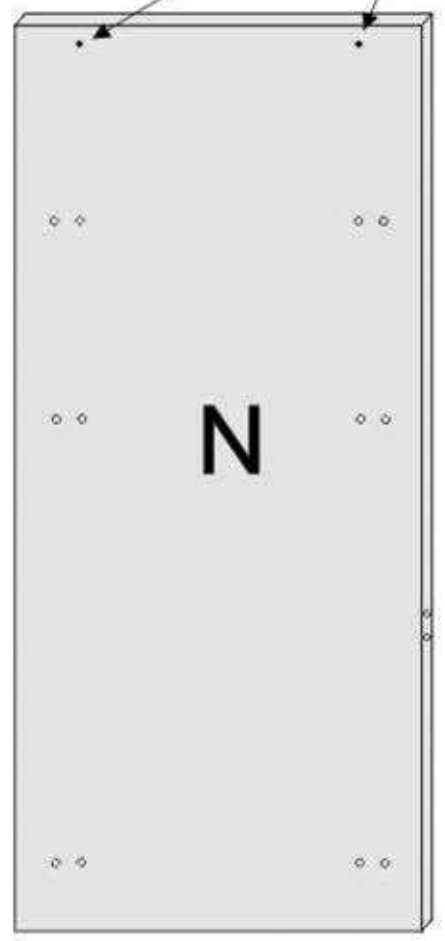
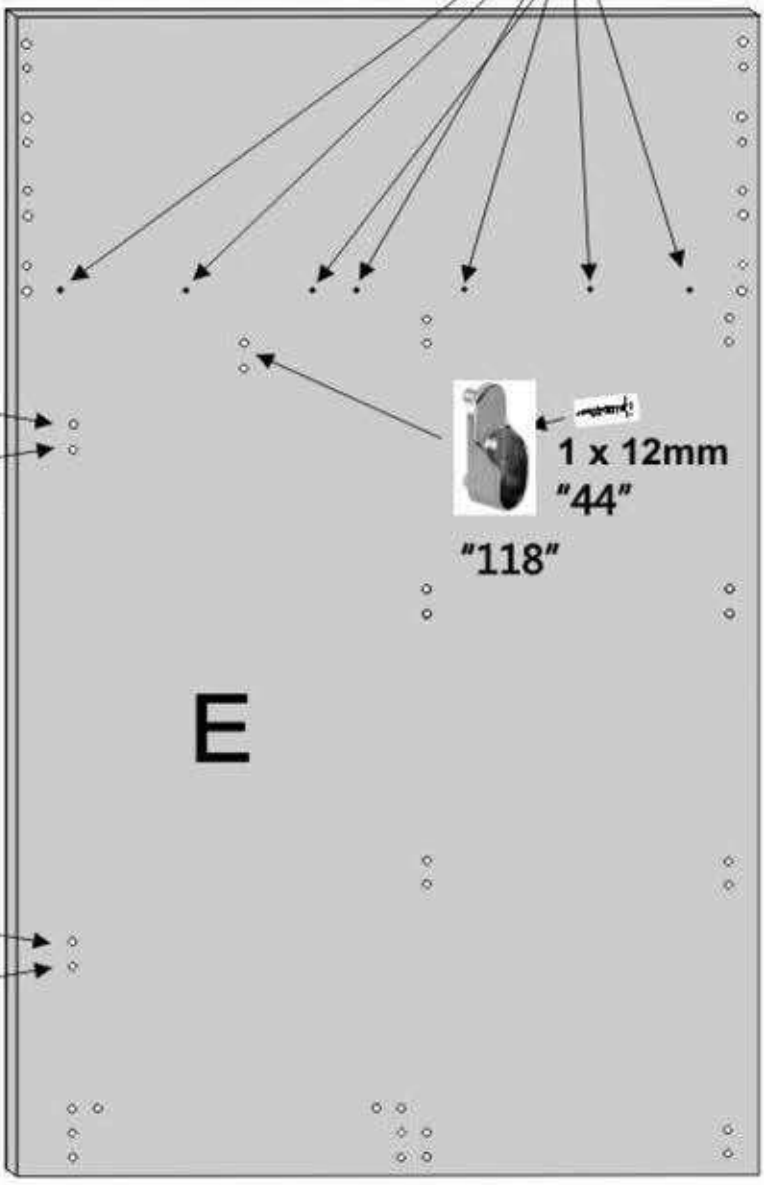
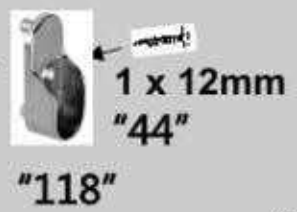
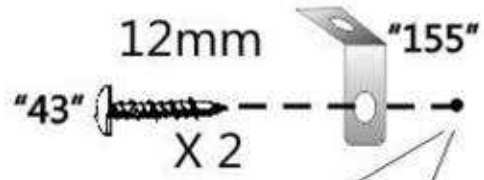


Southwold High Bed

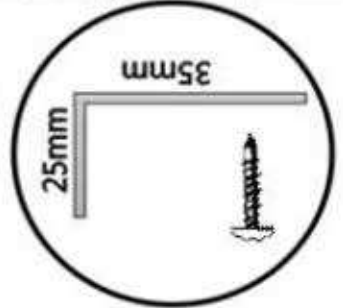
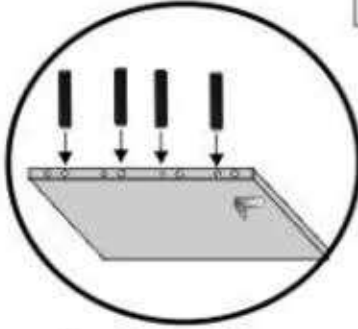
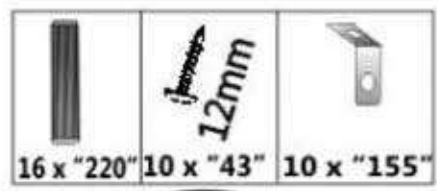
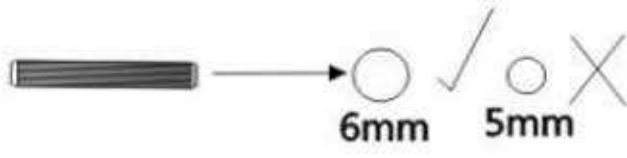
1



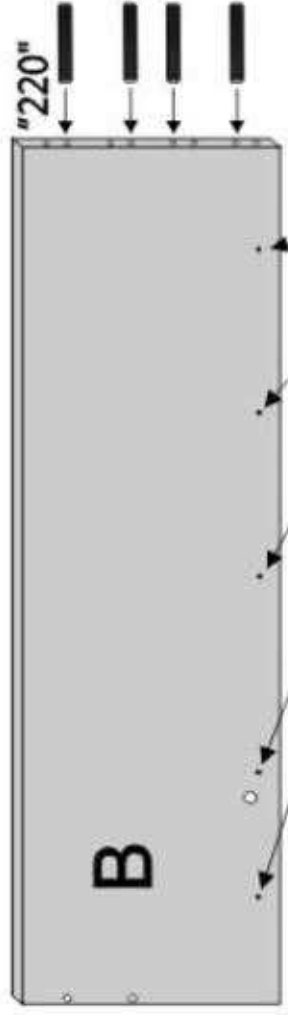
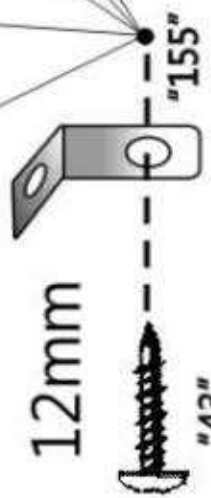
2 x "206"	1 x "44"	1 x "118"	16 x "43"	16 x "155"



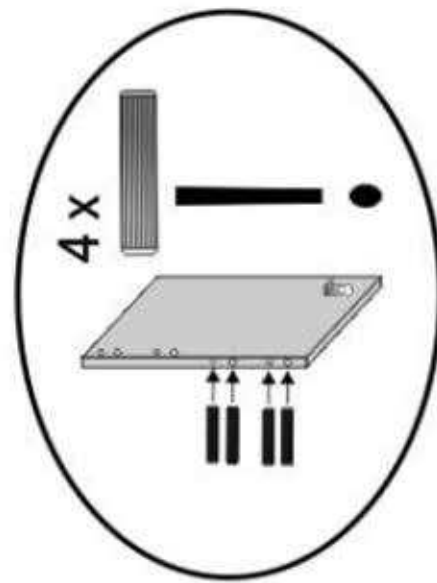
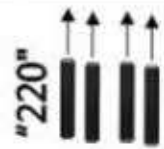
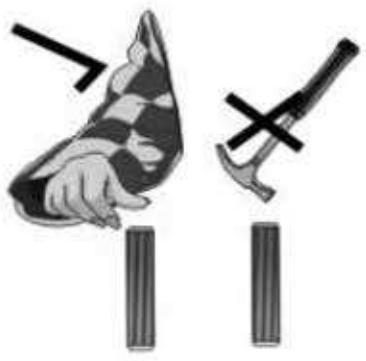
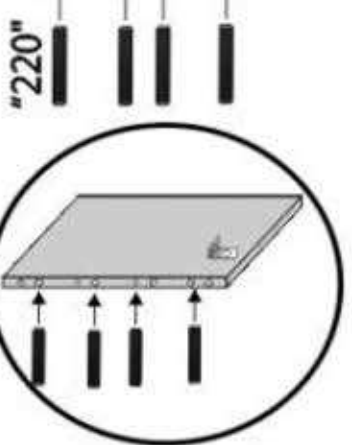
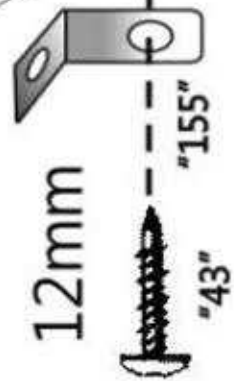
2



X 5

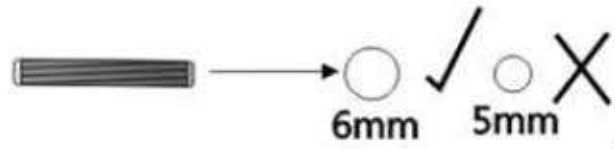
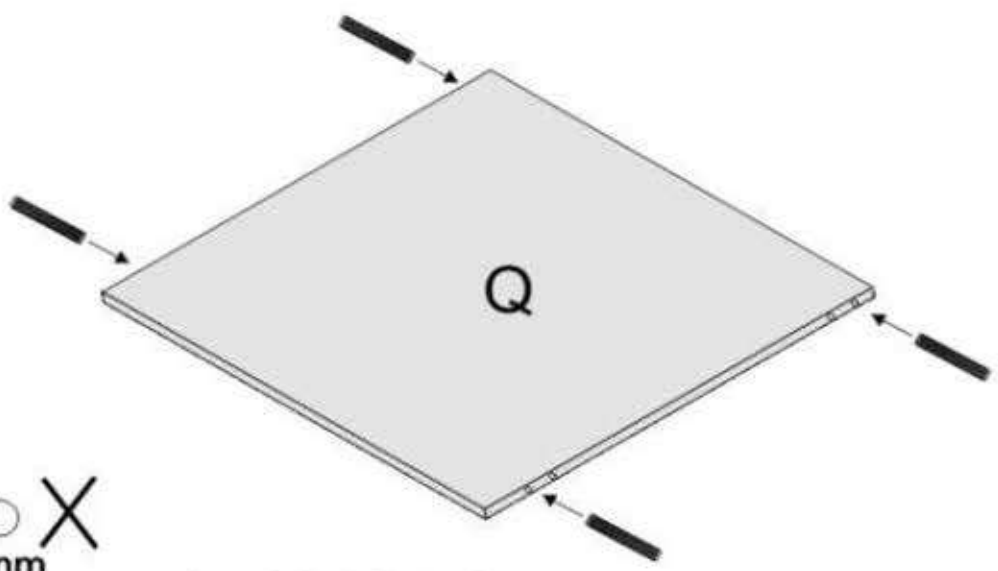
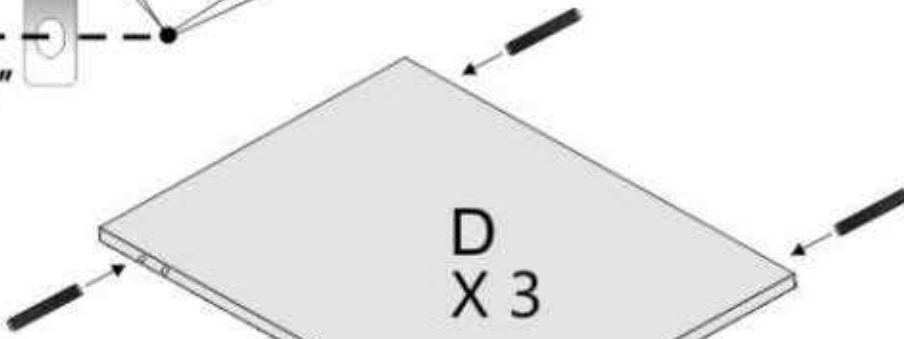
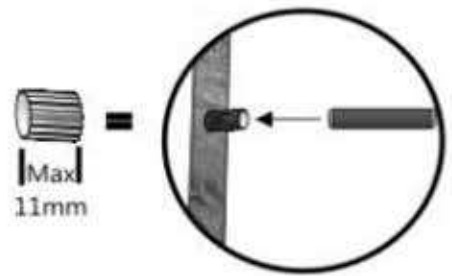
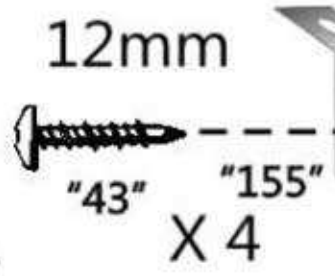
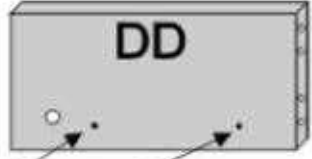
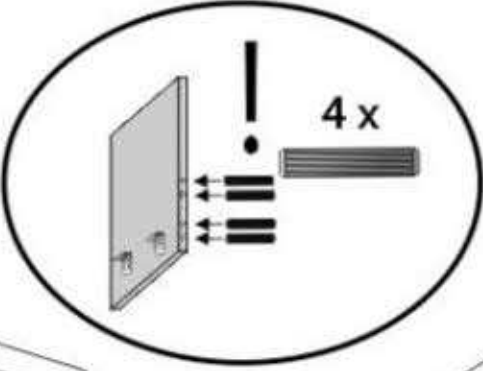
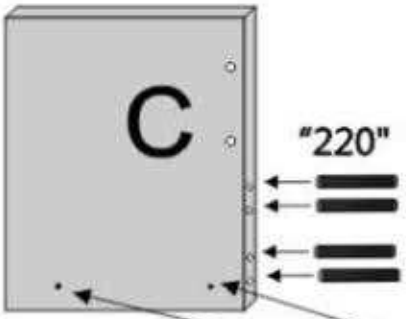
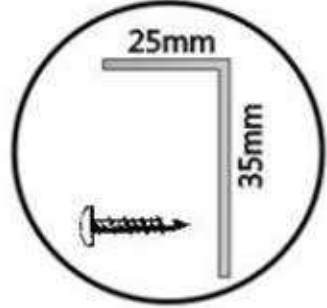
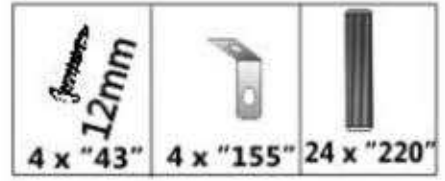
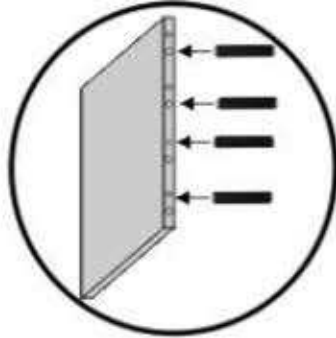
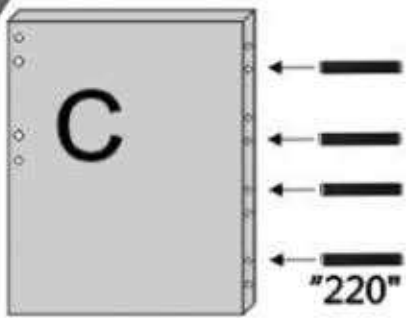


X 5



Southwold High Bed

3


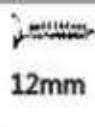




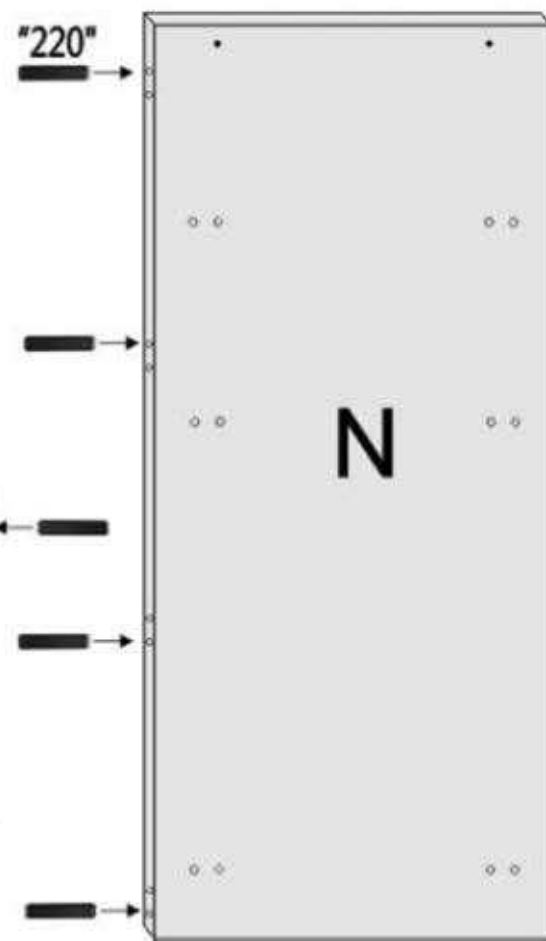
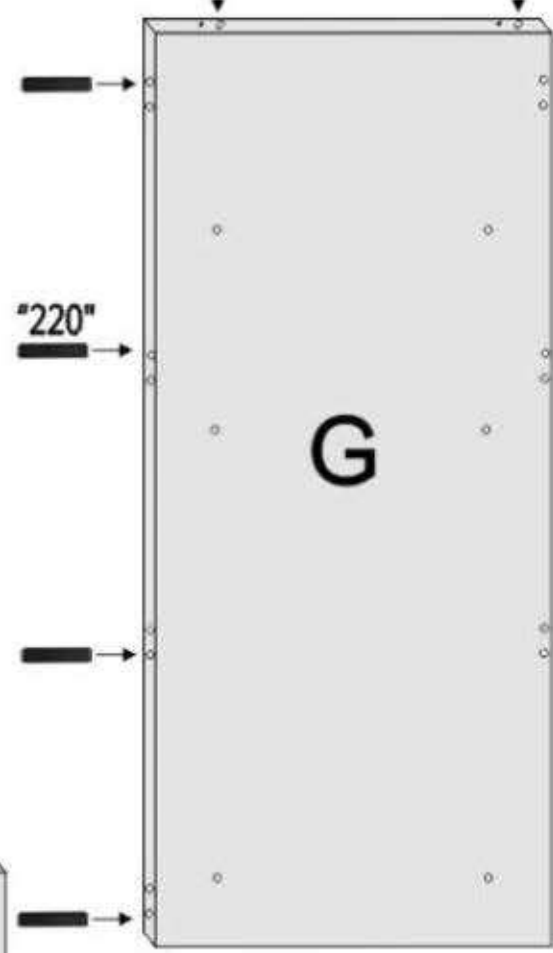
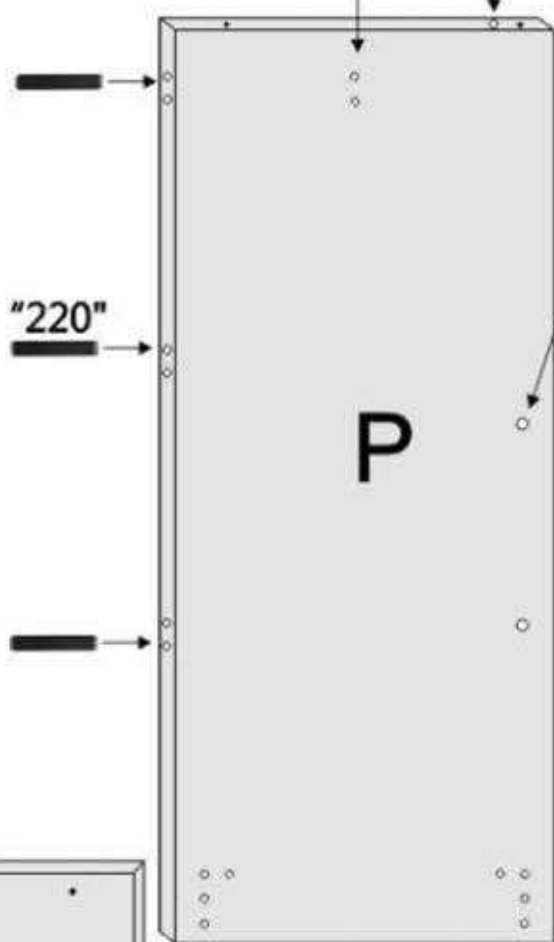
Southwold High Bed

4

12mm
"44"

"118"

- | | | | |
|---|---|---|---|
|  |  |  |  |
| 15 x "220" | 1 x "44" | 1 x "118" | 1 x "190" |

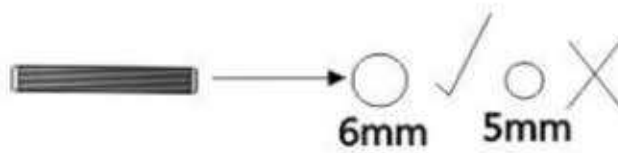
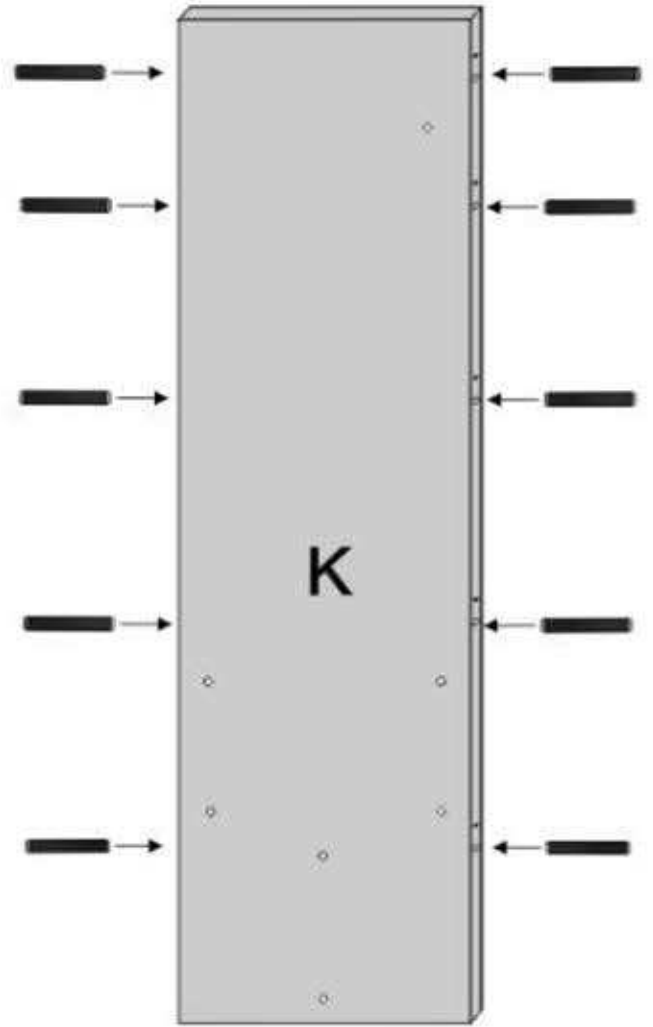
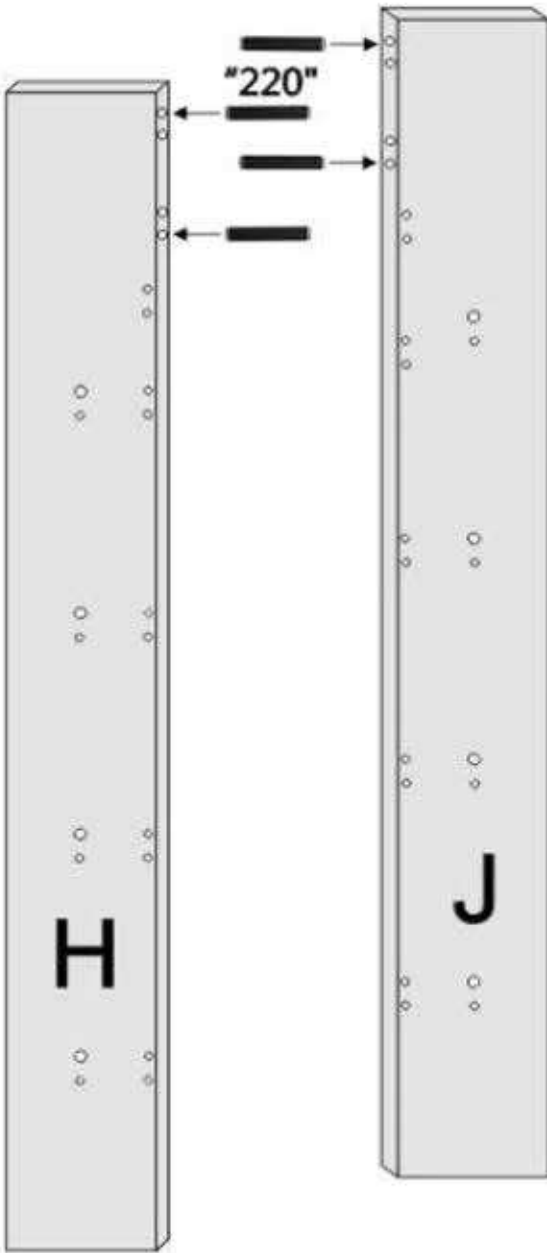


5

Max
11mm



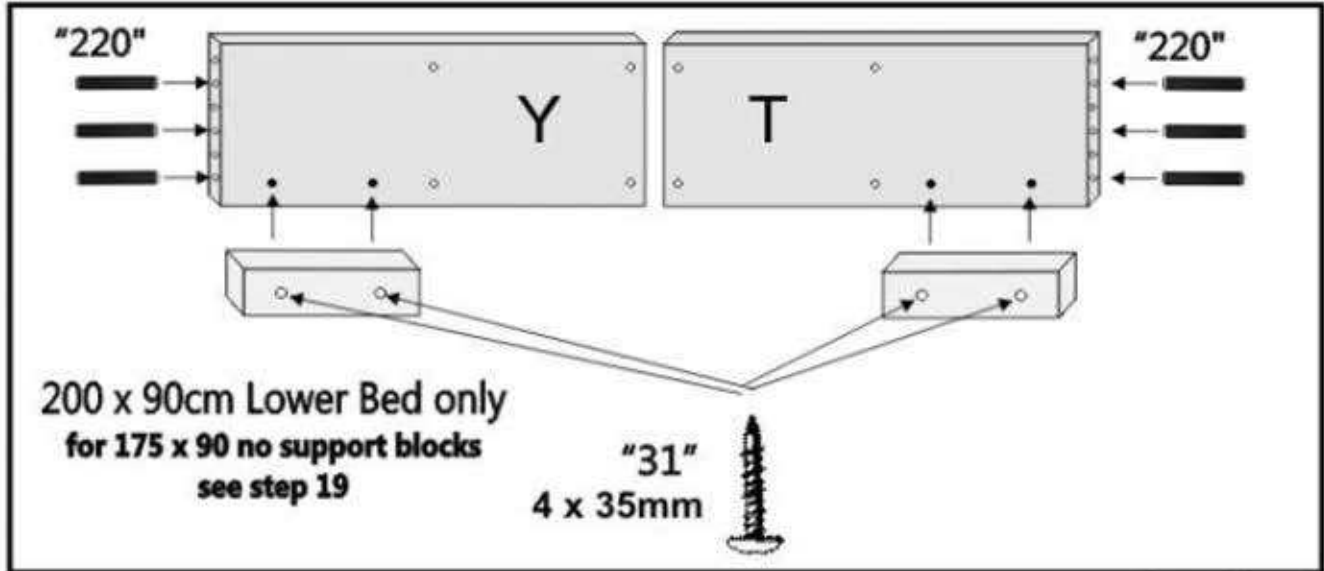
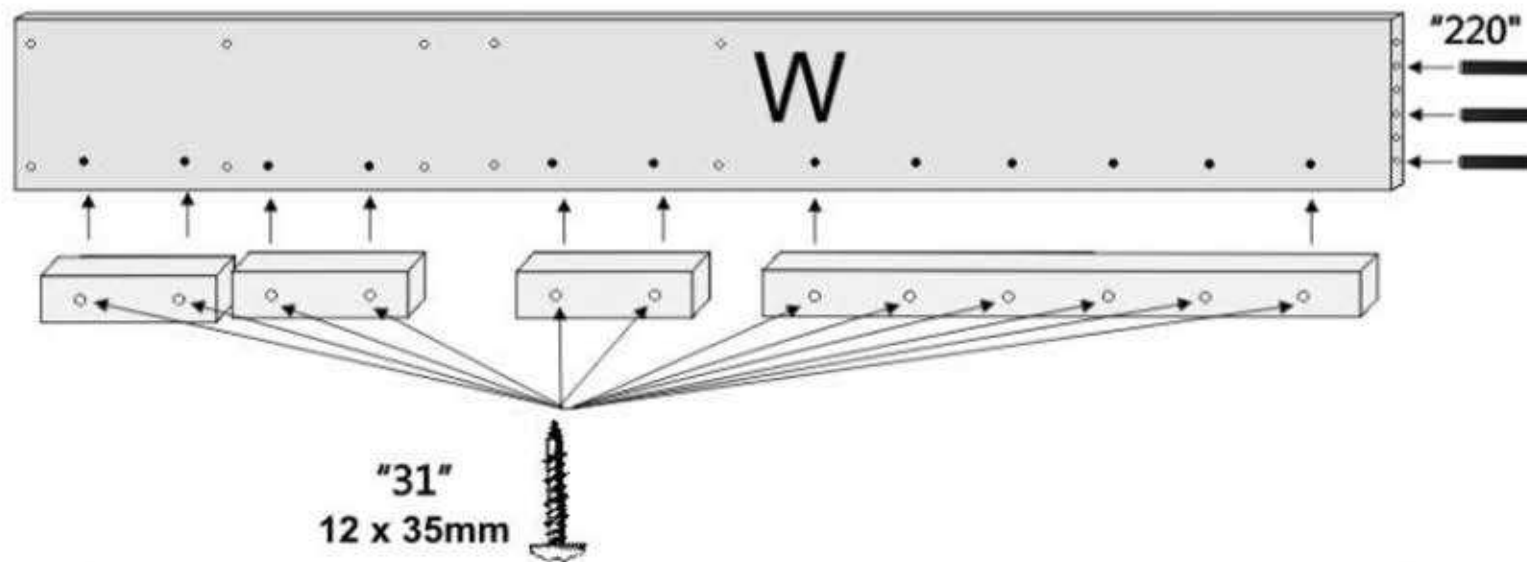
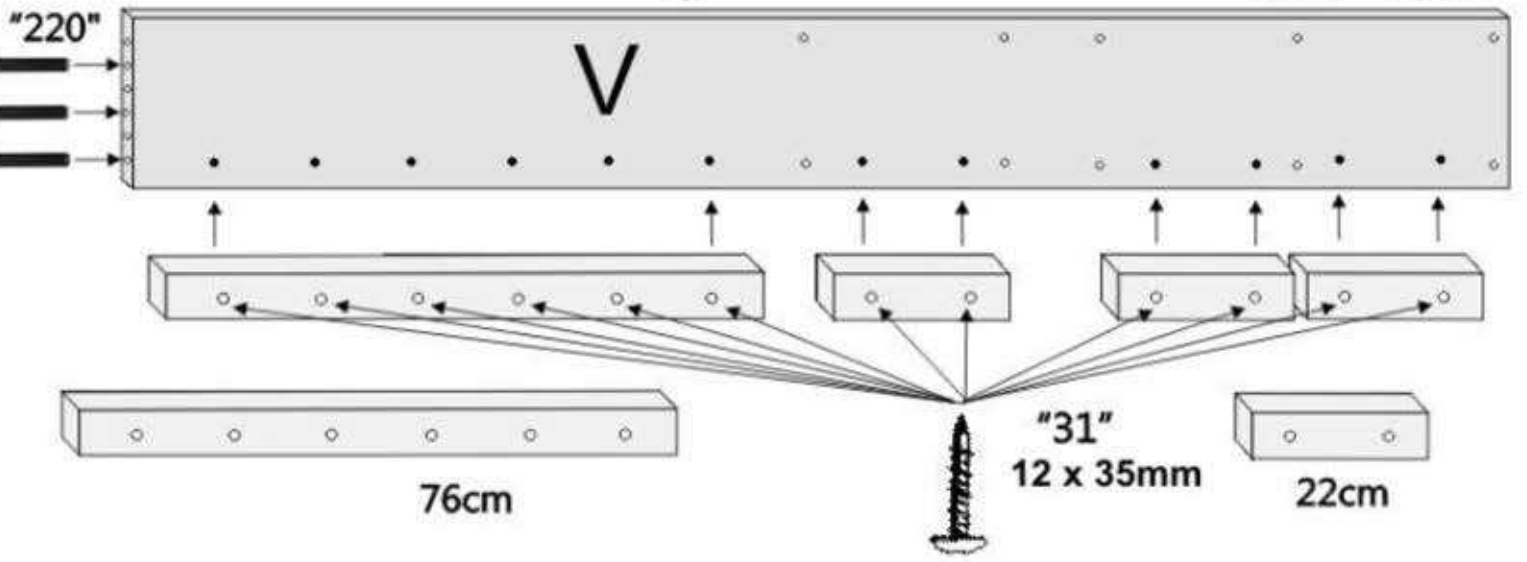
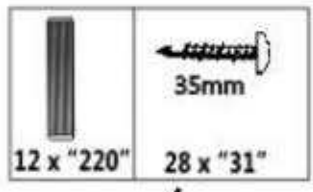
14 x "220"



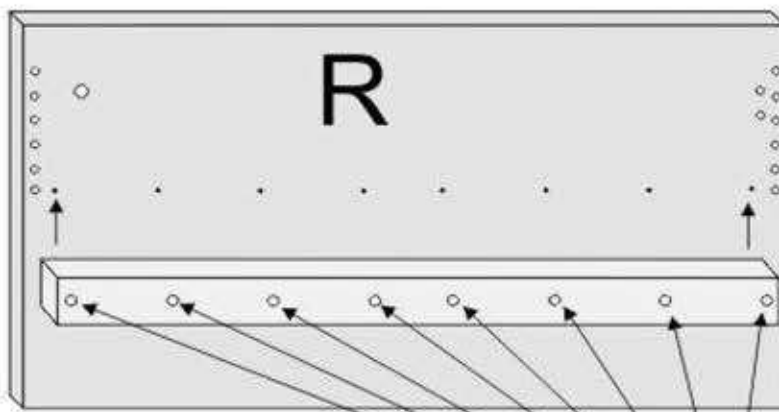
6

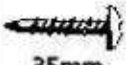





Max 11mm



7



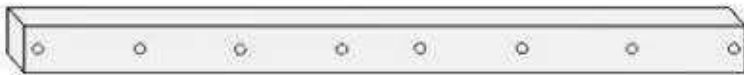
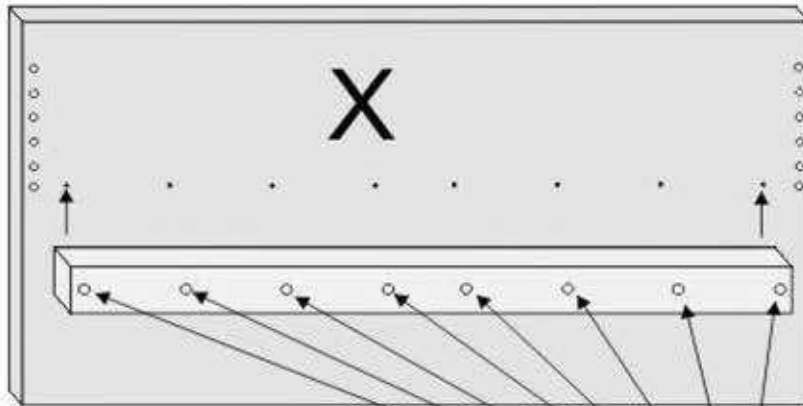
 35mm	 / 	
16 x "31"	1 x "219"	8 x "238"



89cm



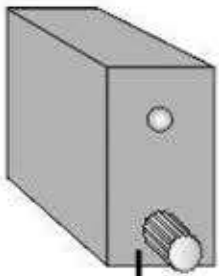
"31"
8 x 35mm



89cm



"31"
8 x 35mm



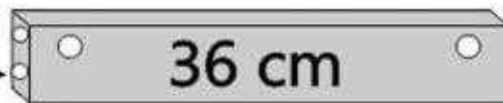
Max
11mm
Protruding



4 x



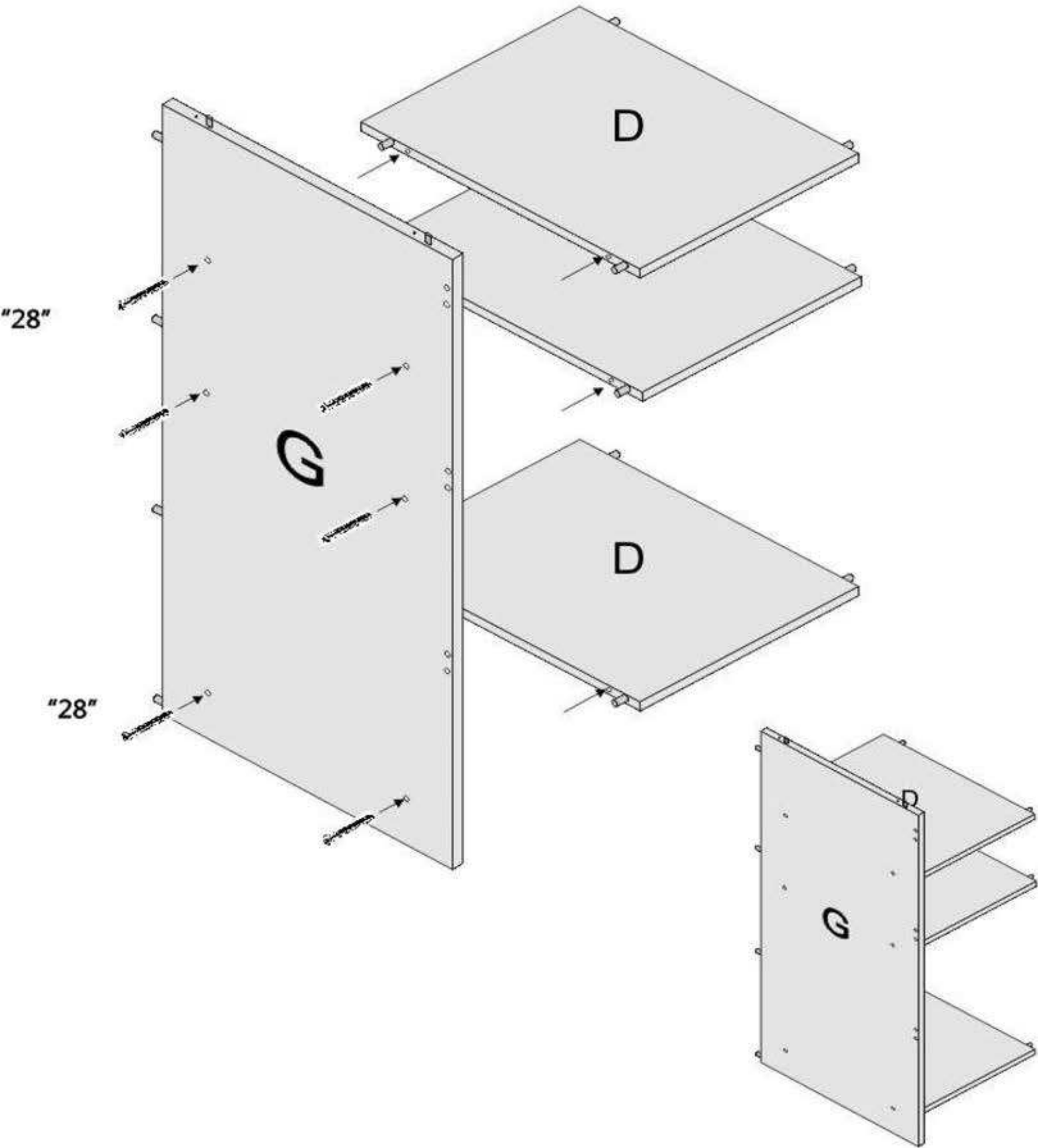
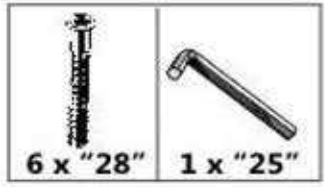
"238"



36 cm

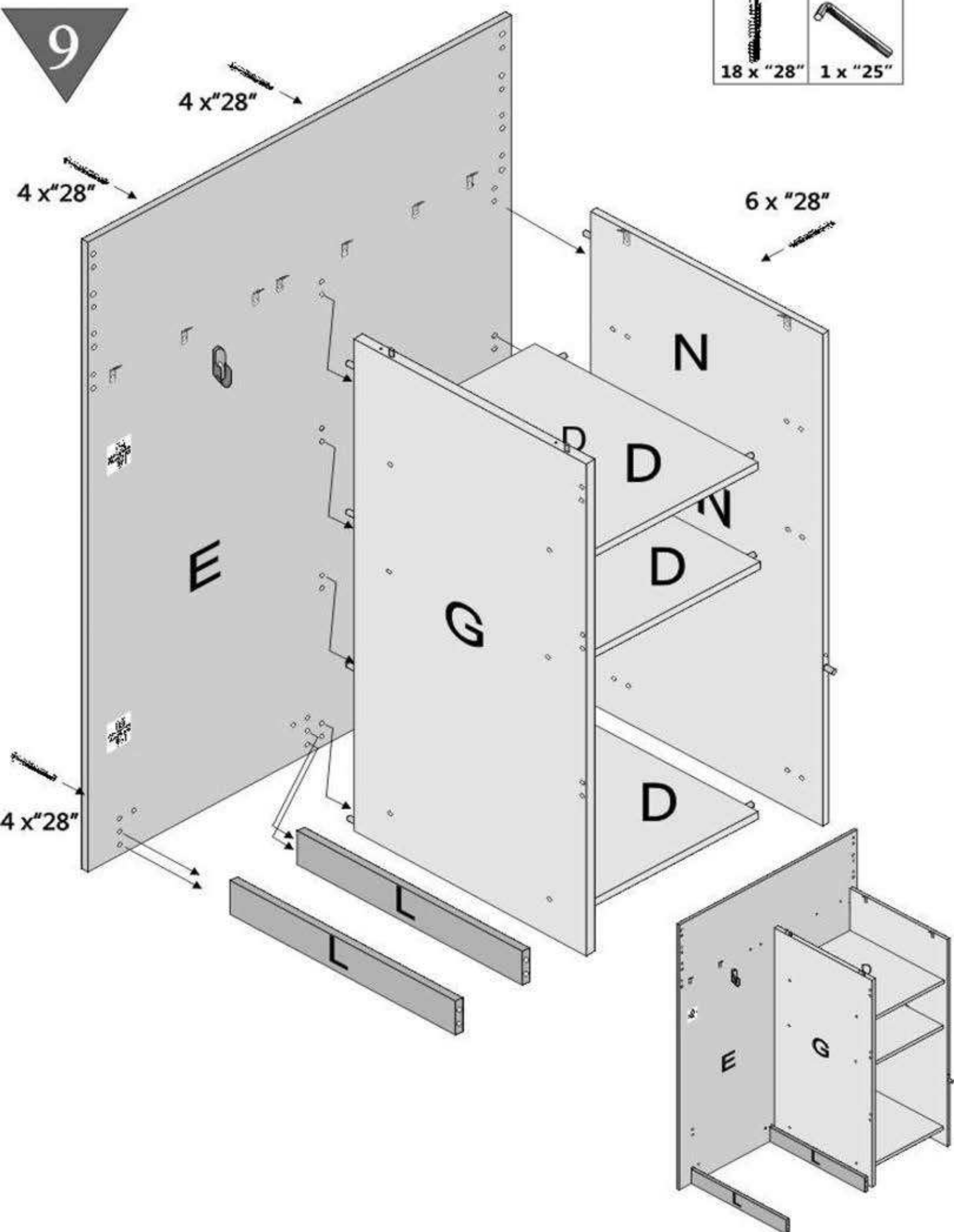
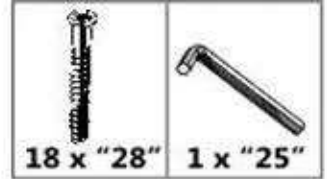
"238"

Southwold High Bed



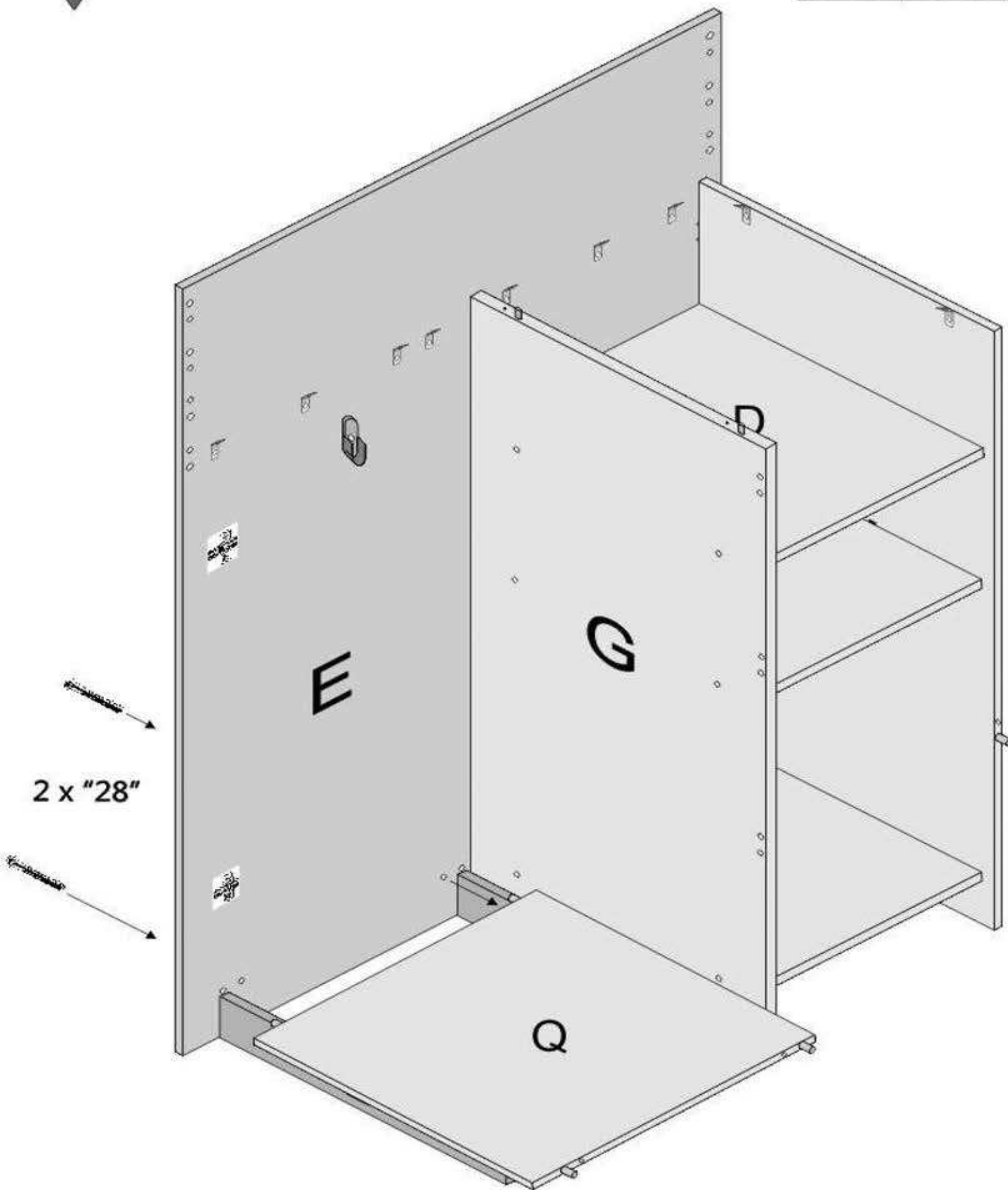
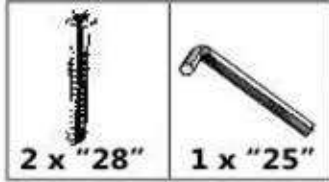
Southwold High Bed

9

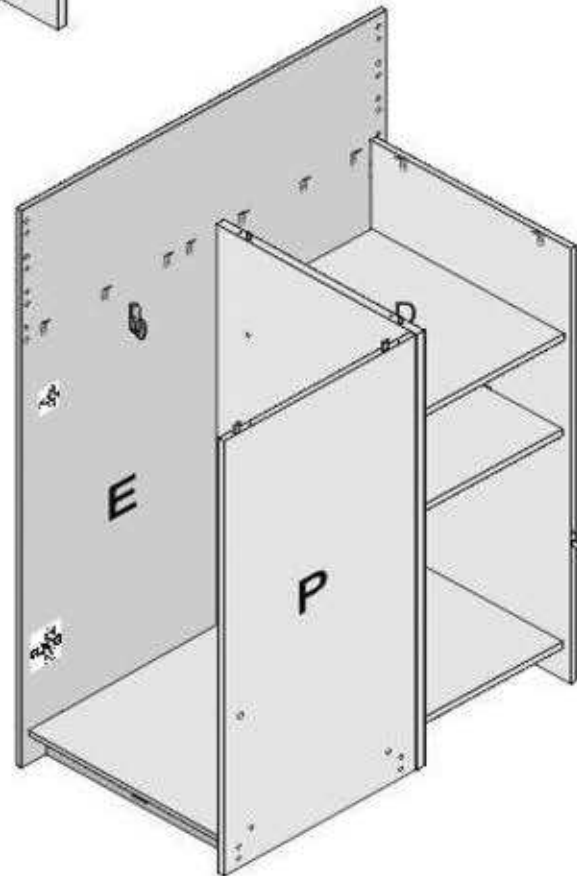
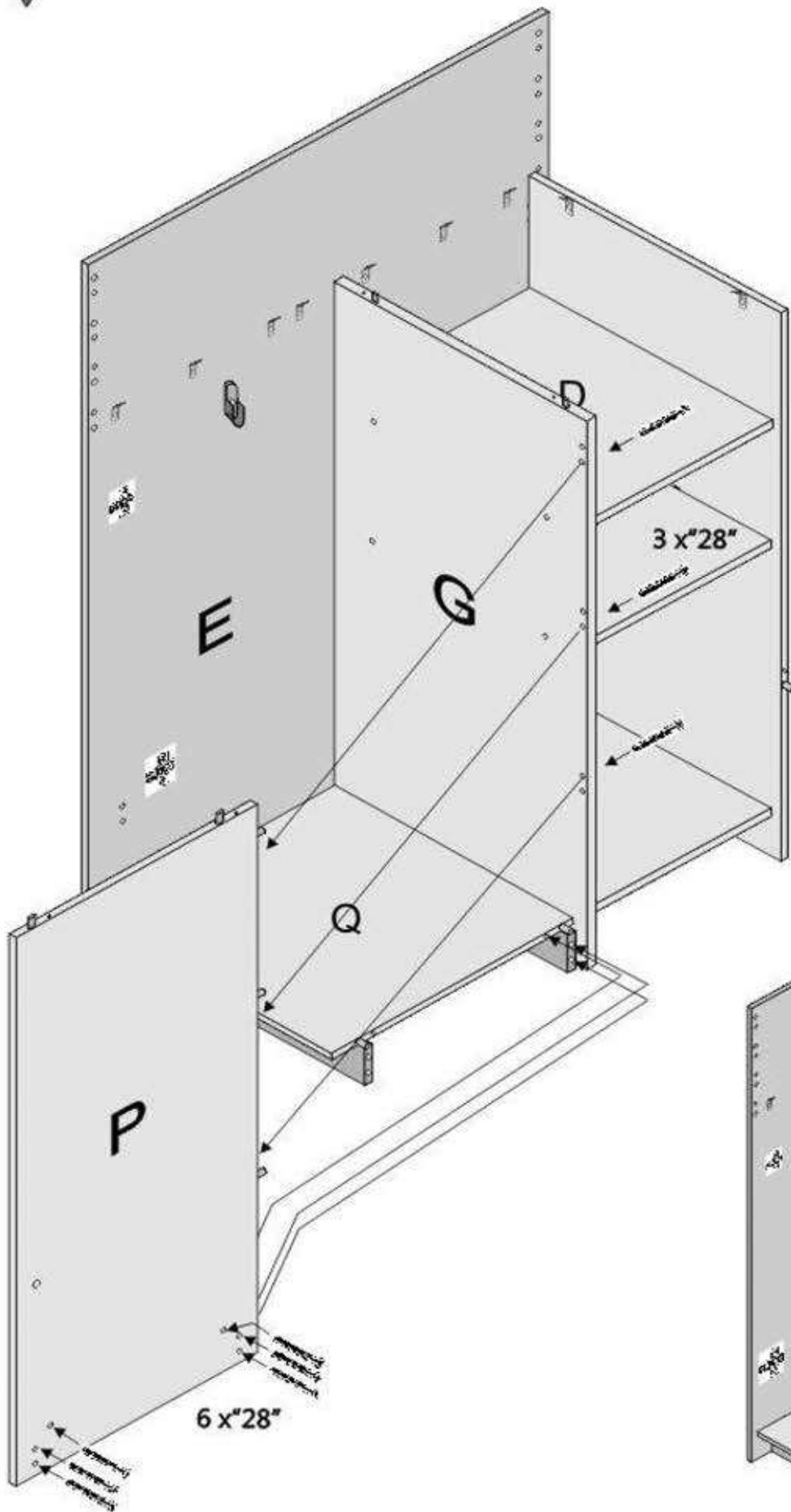
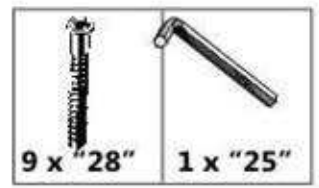


Southwold High Bed

10



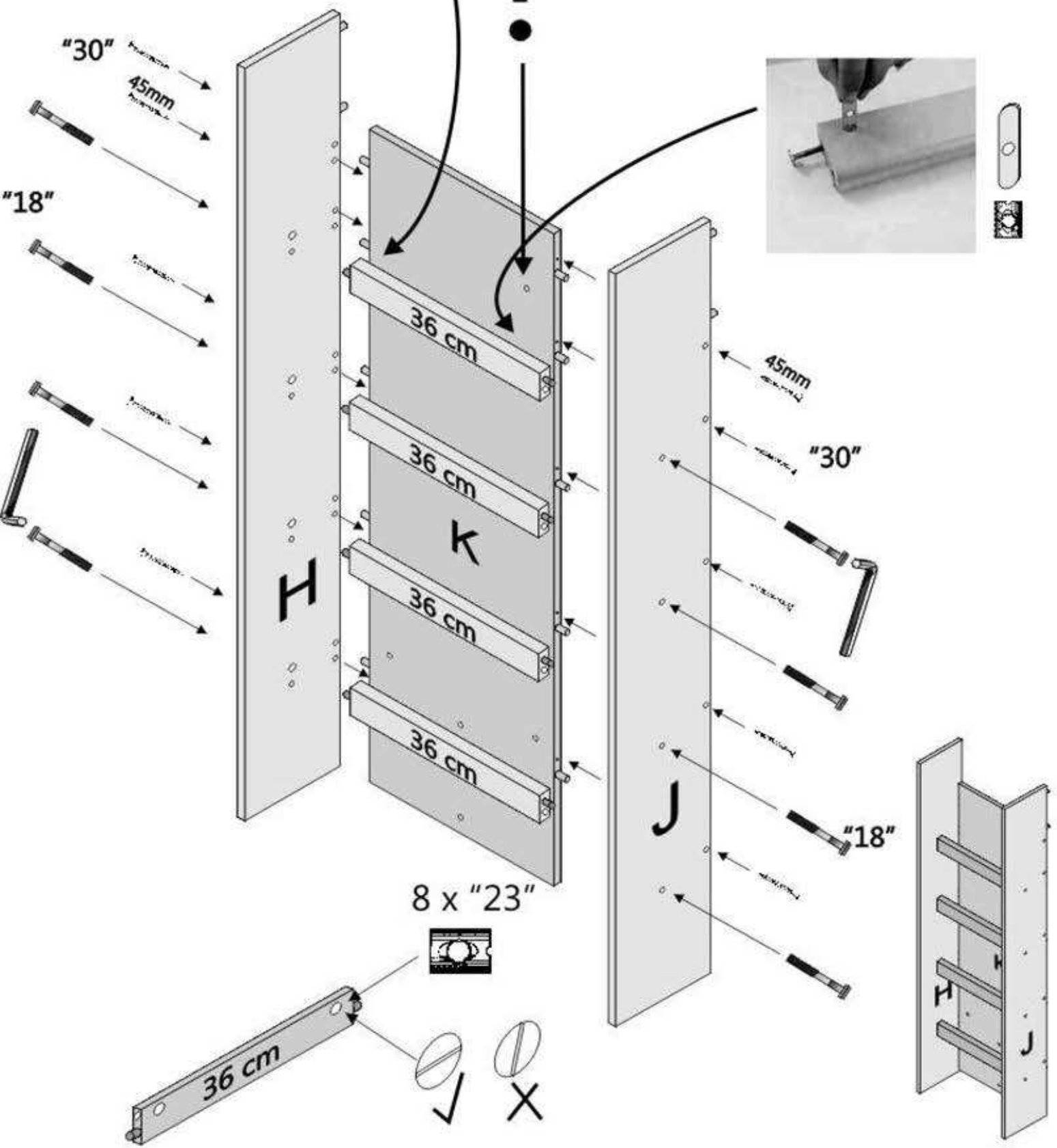
Southwold High Bed



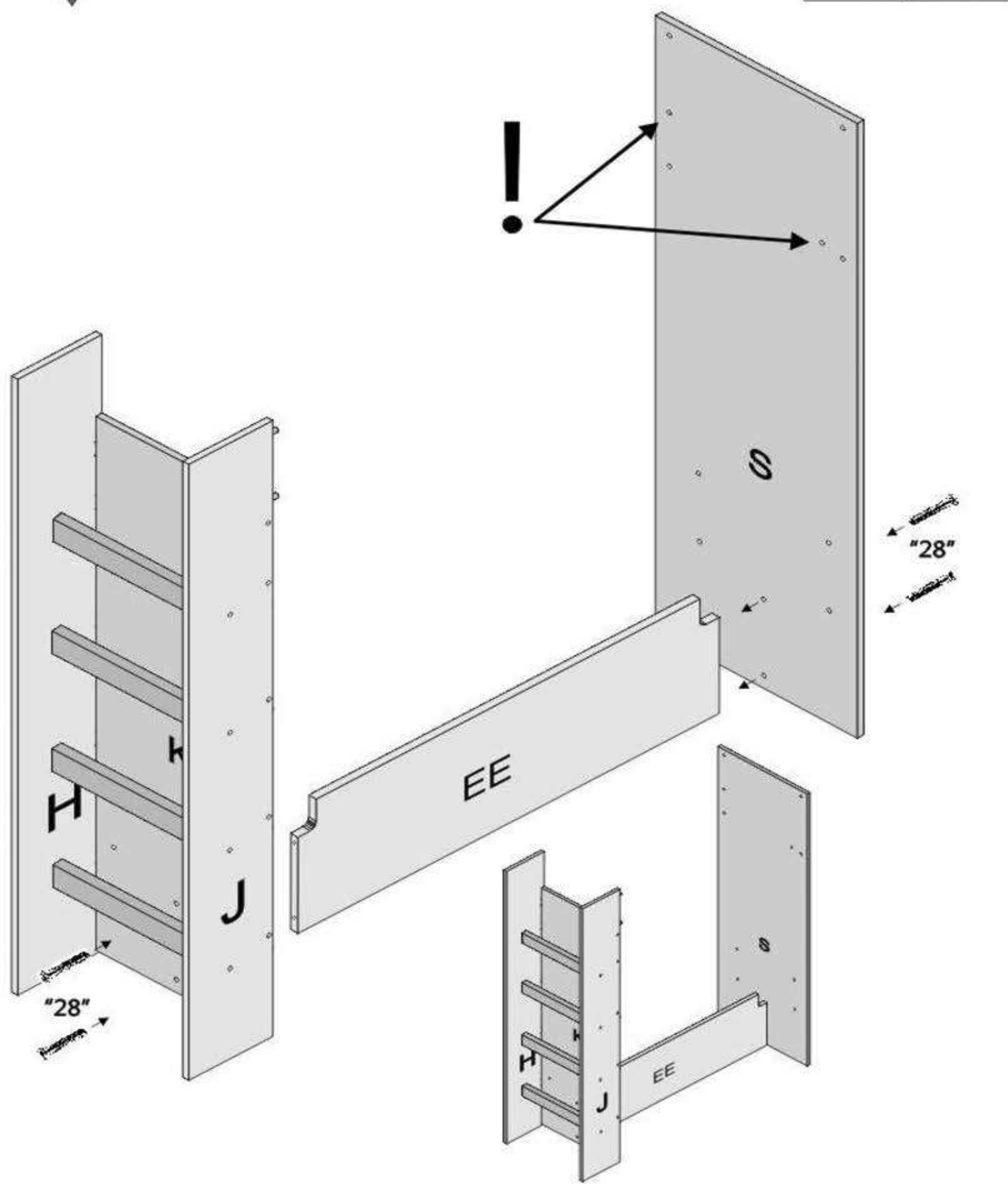
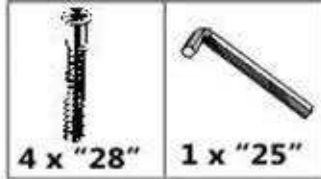
Southwold High Bed

45mm 45mm	50mm x M6 8 x "18"	1 x "25"	1 x "151"	8 x "23"
--------------	--------------------------	----------	-----------	----------





"Mdf" 36cm

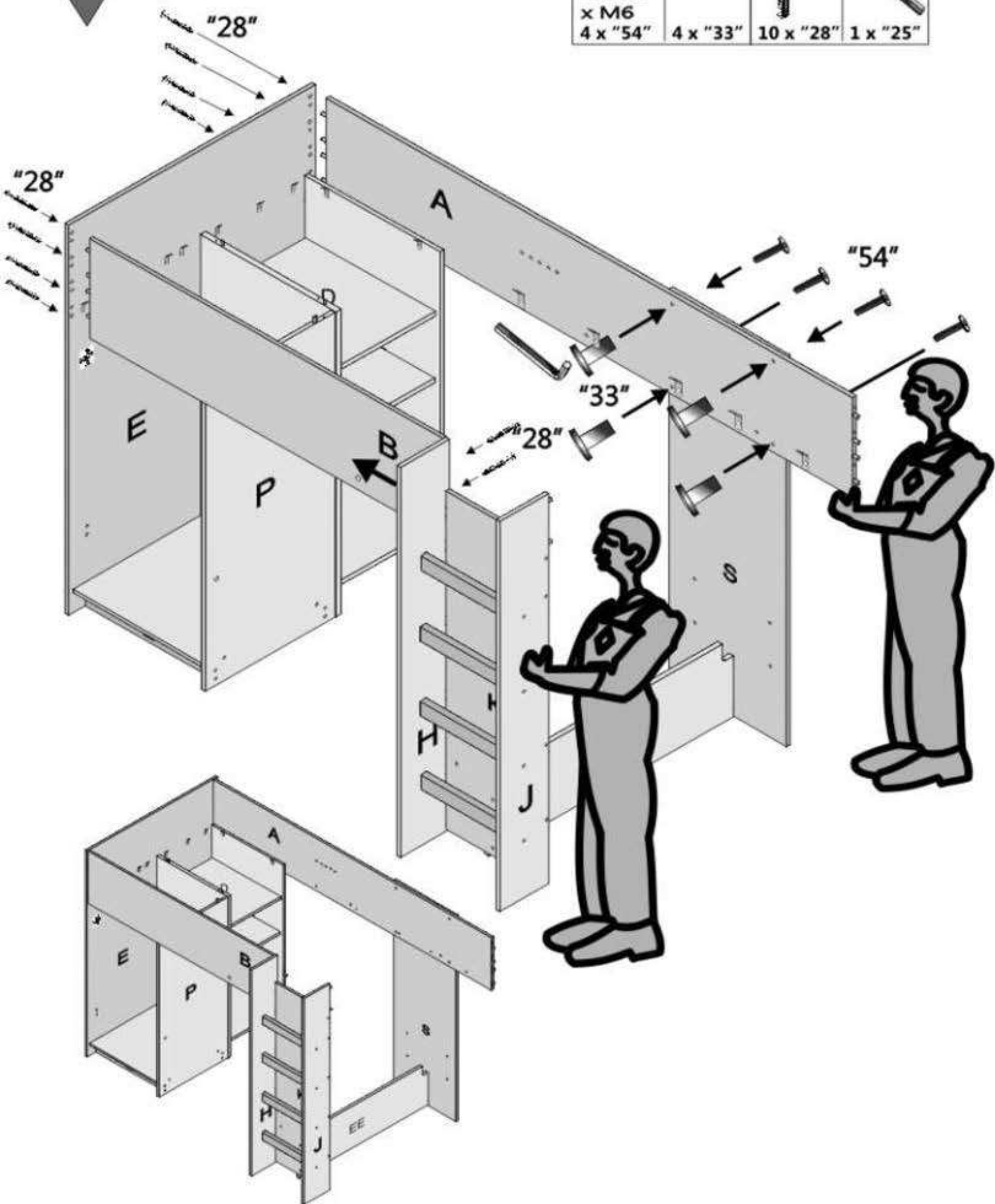


Southwold High Bed

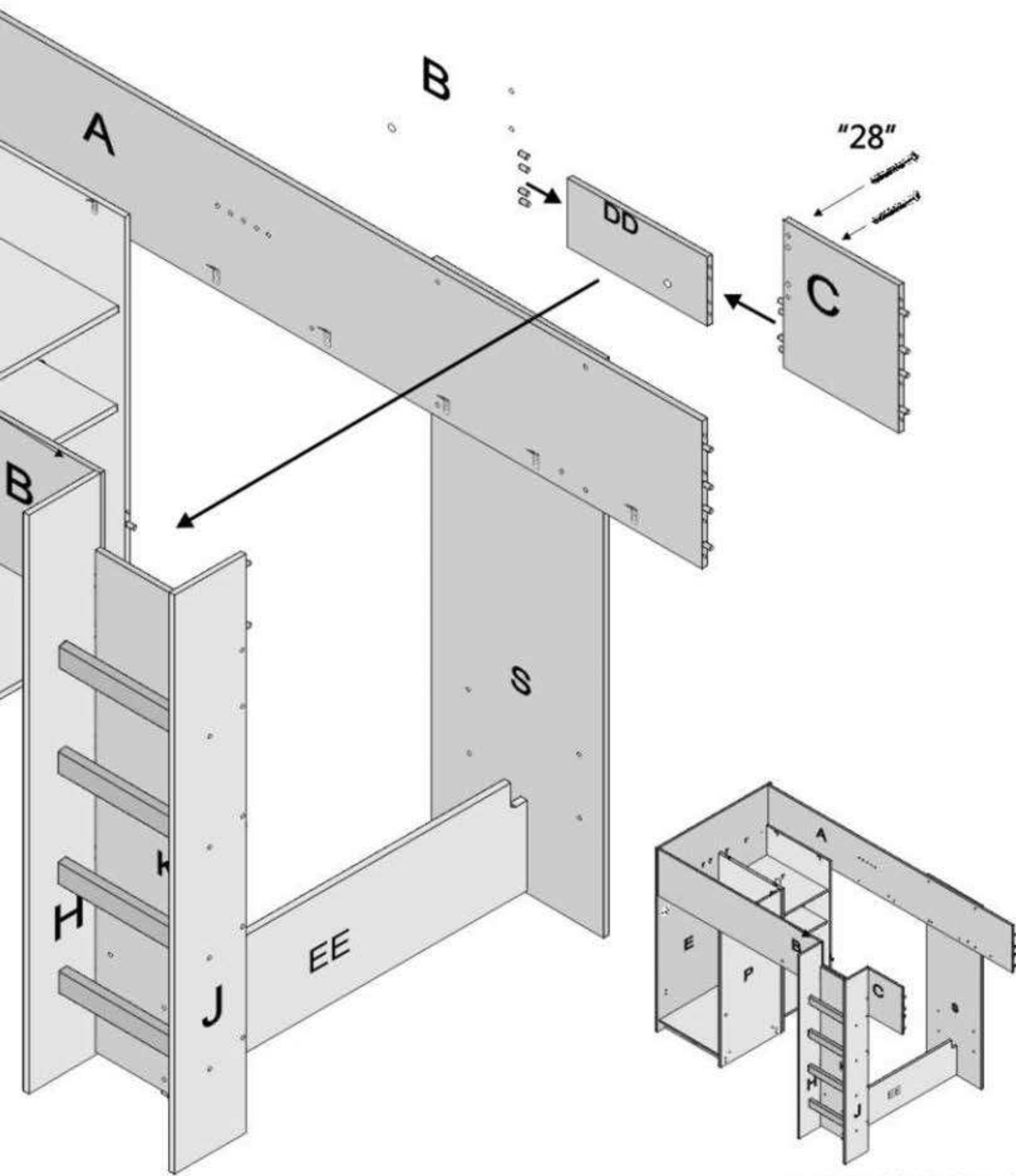
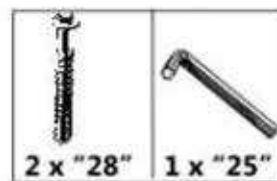


Southwold High Bed

			
26mm x M6 4 x "54"	4 x "33"	10 x "28"	1 x "25"

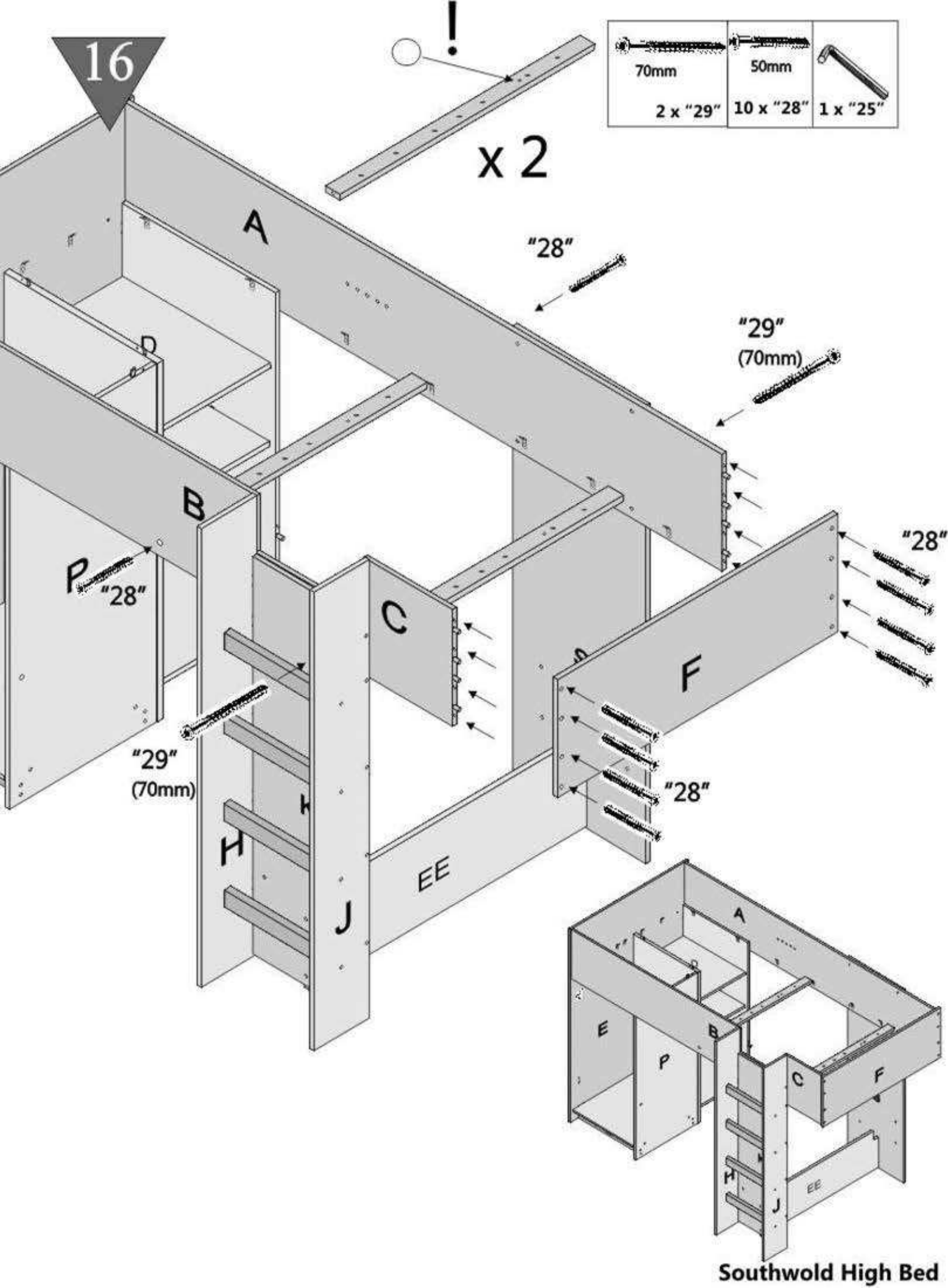


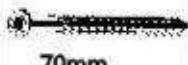


15



Southwold High Bed

16



 70mm	 50mm	
2 x "29"	10 x "28"	1 x "25"

x 2

"28"

"29"
(70mm)

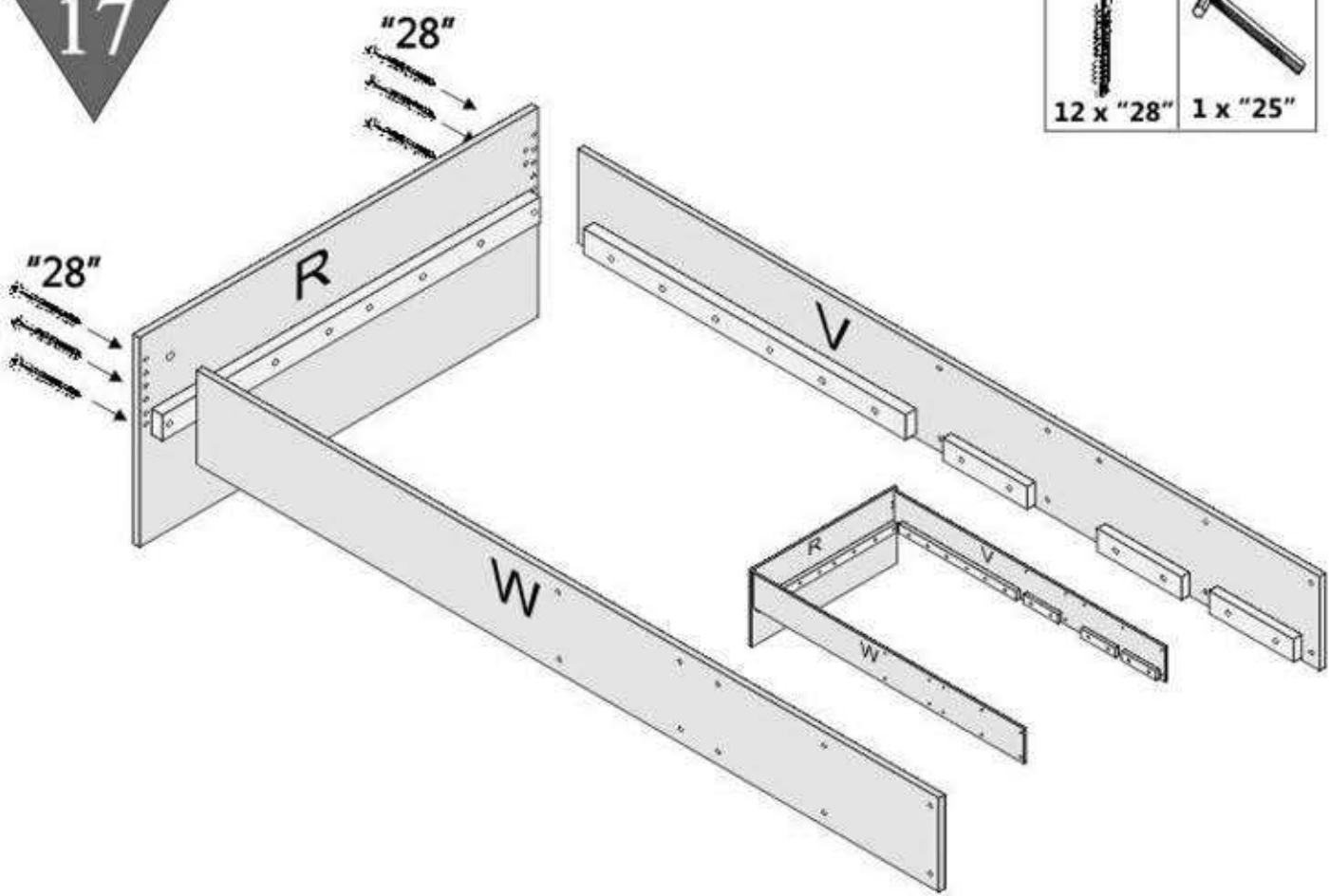
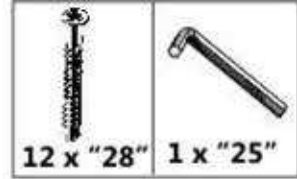
"28"

"28"

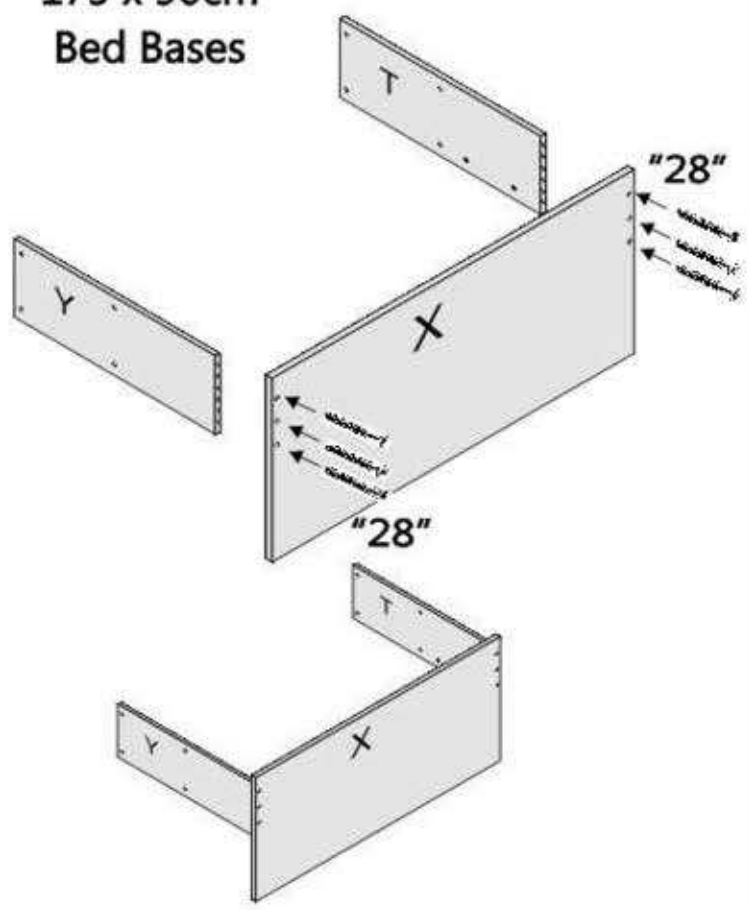
"29"
(70mm)

P
"28"

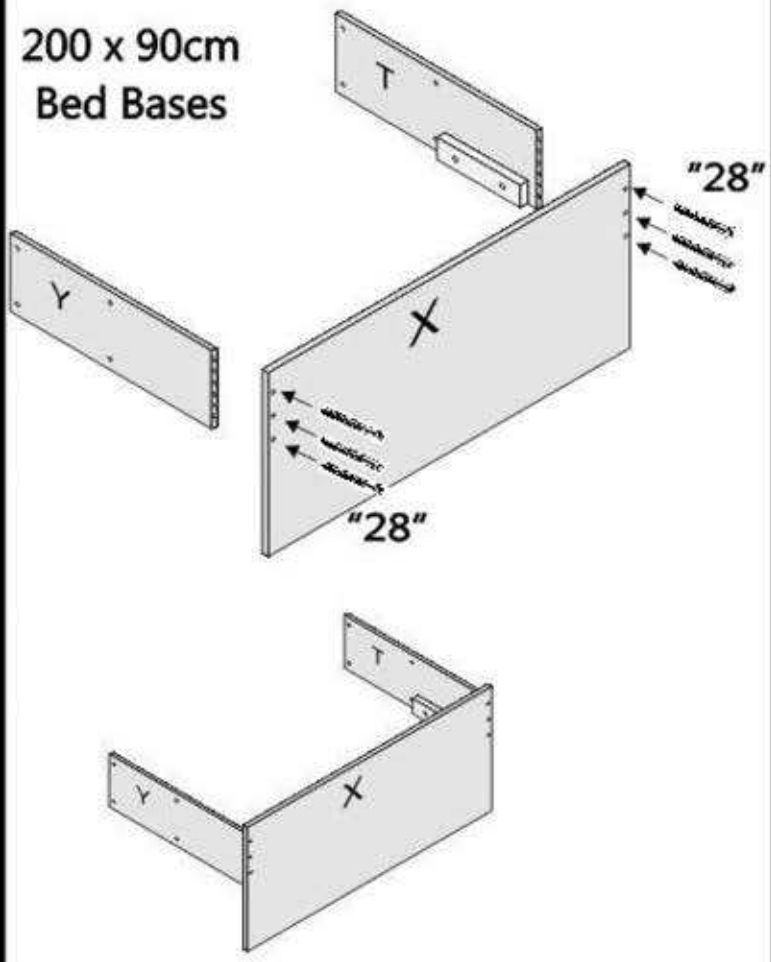
Southwold High Bed







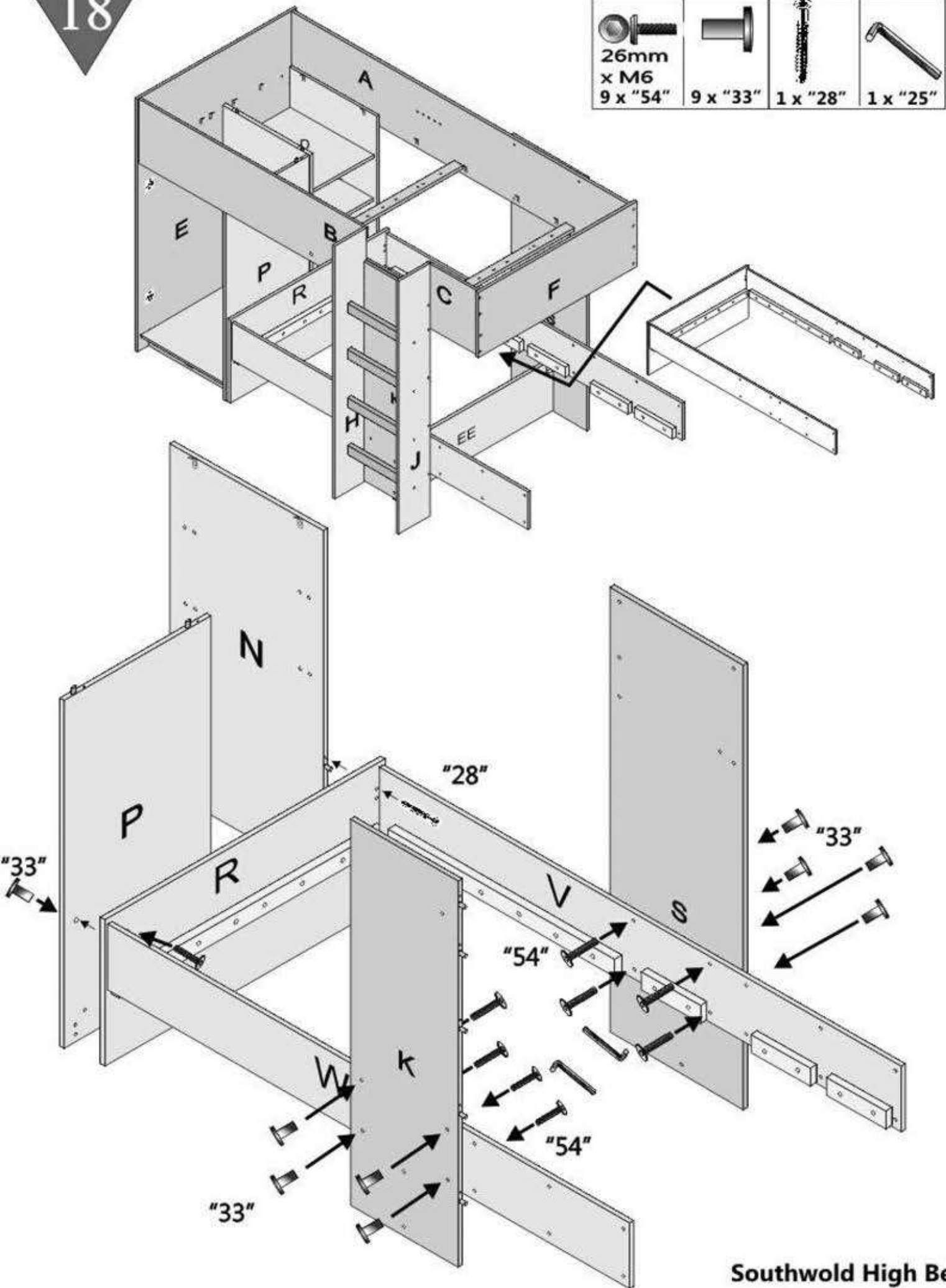
175 x 90cm
Bed Bases

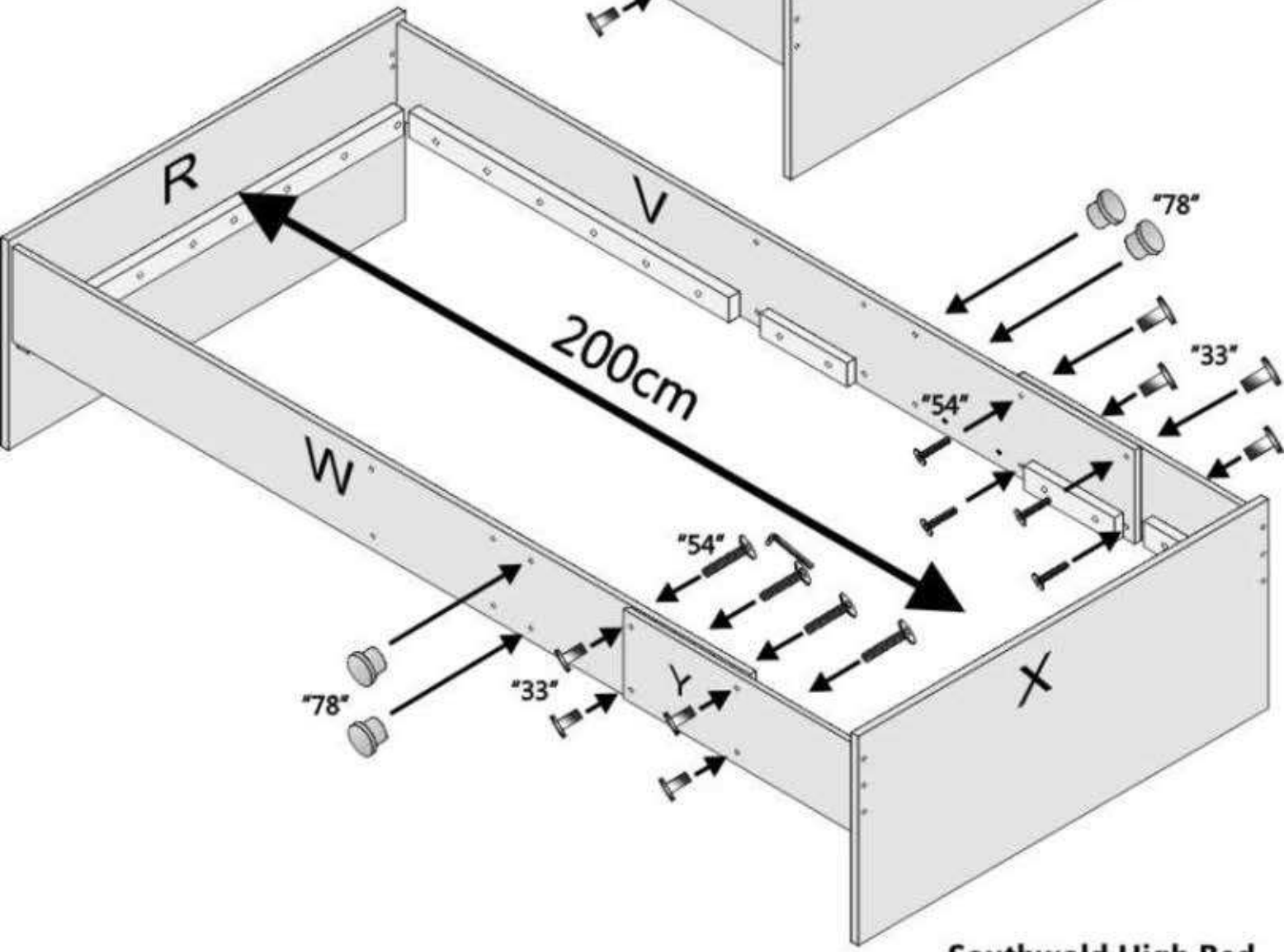
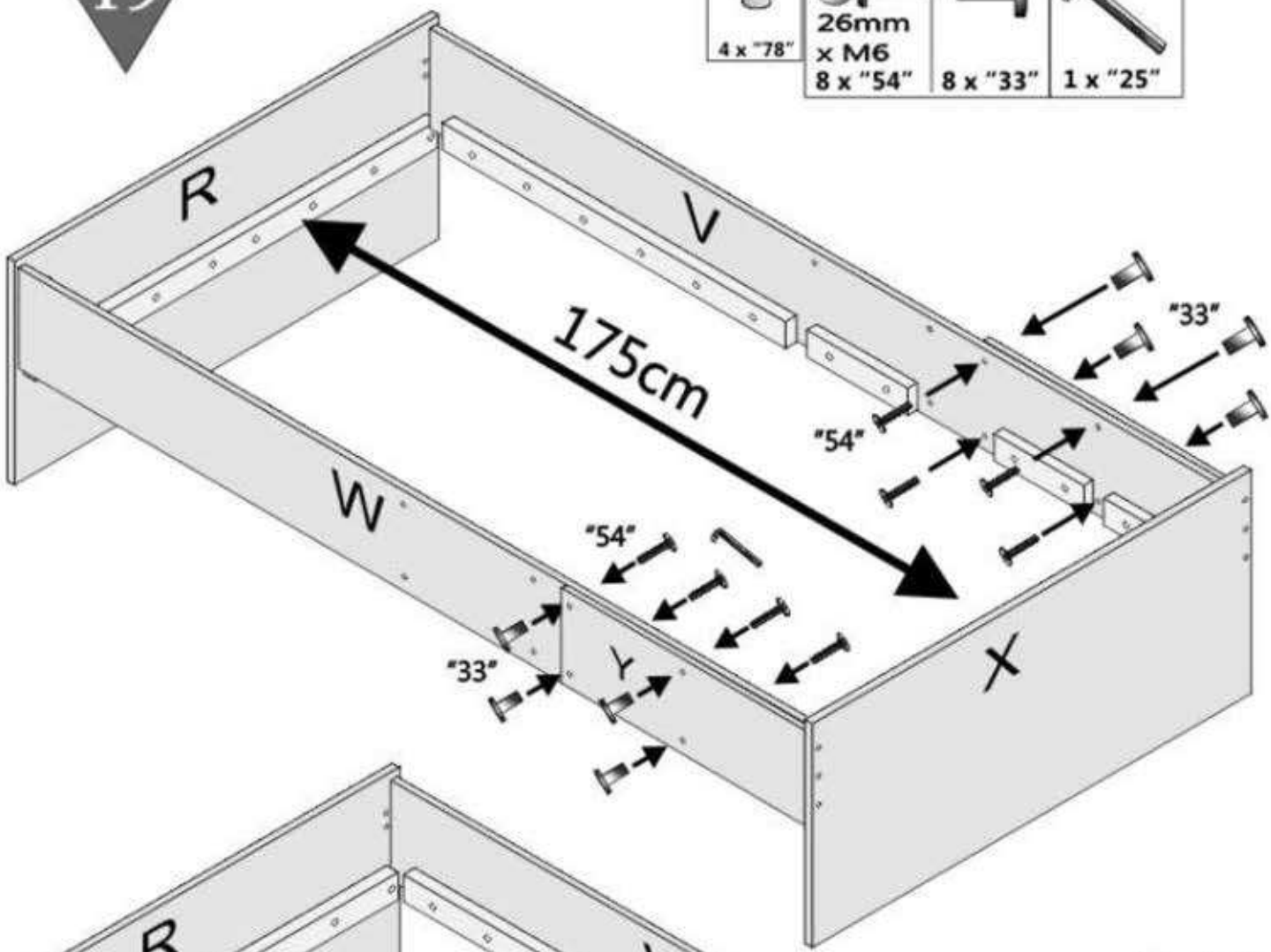
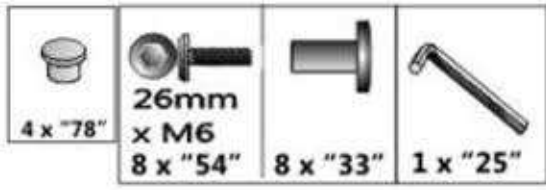


200 x 90cm
Bed Bases

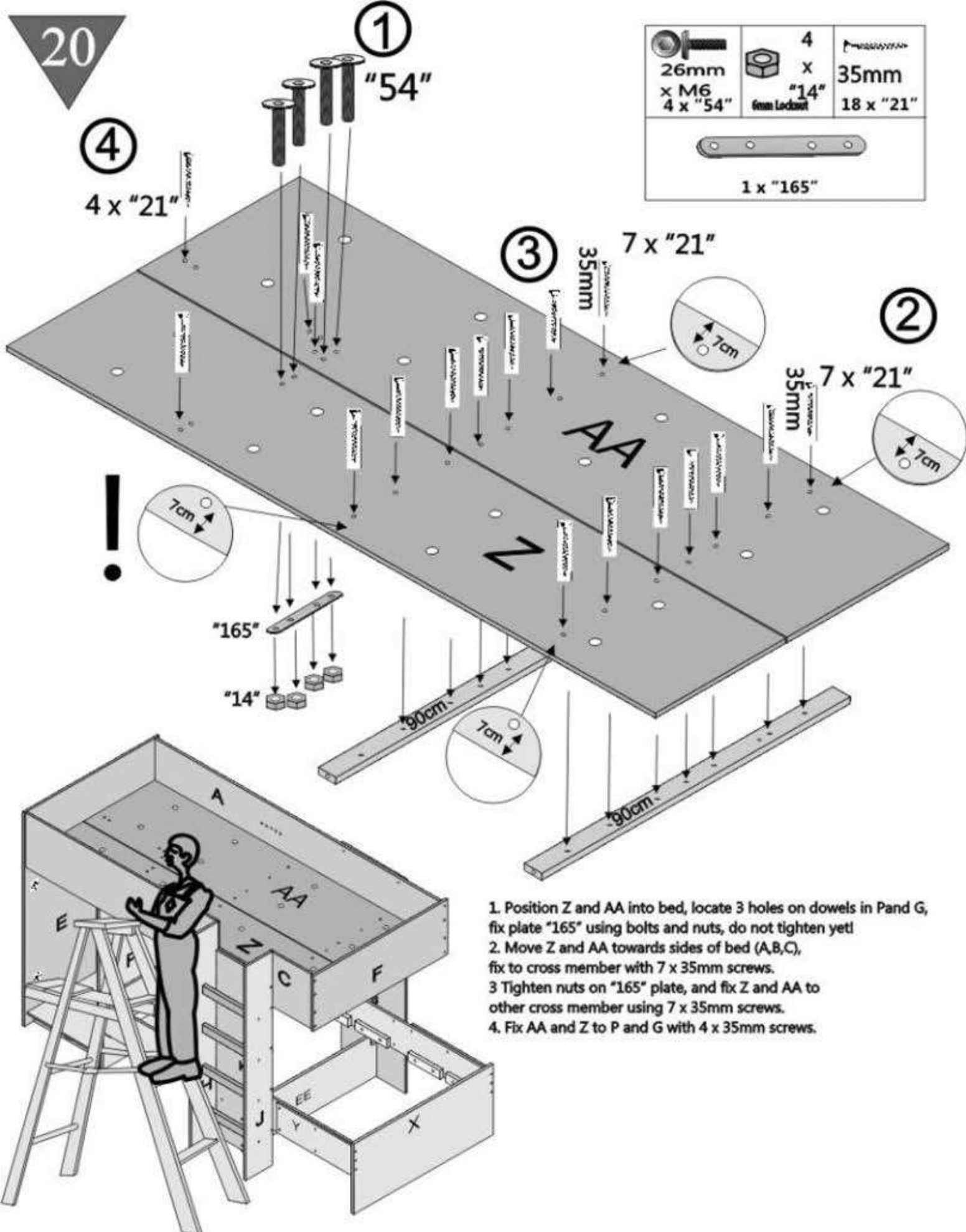


			
26mm x M6	9 x "33"	1 x "28"	1 x "25"





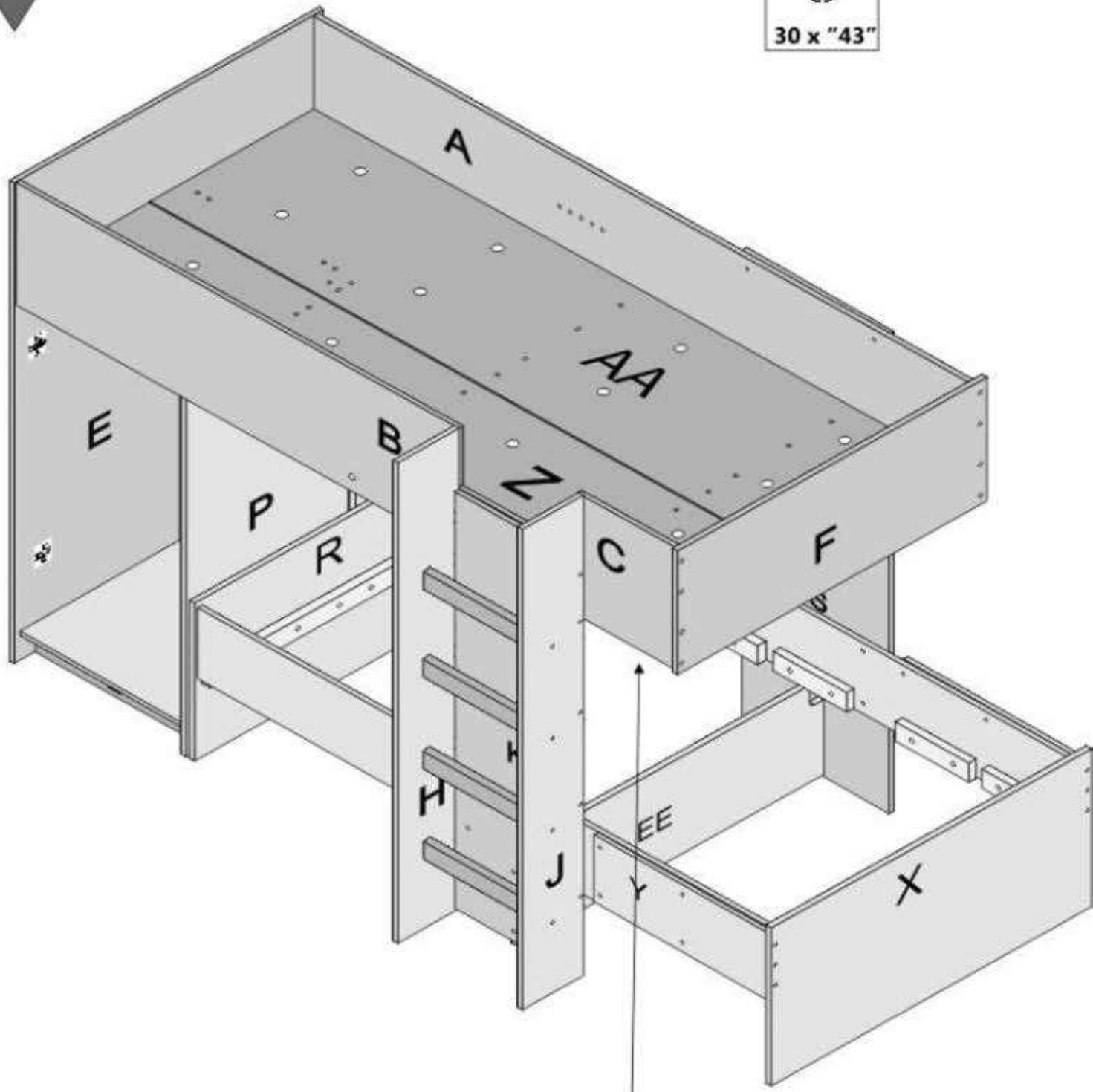
Southwold High Bed



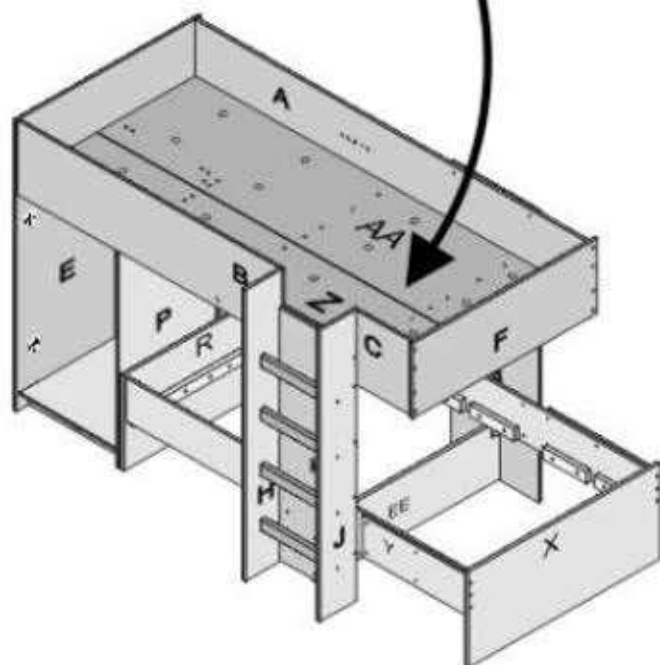
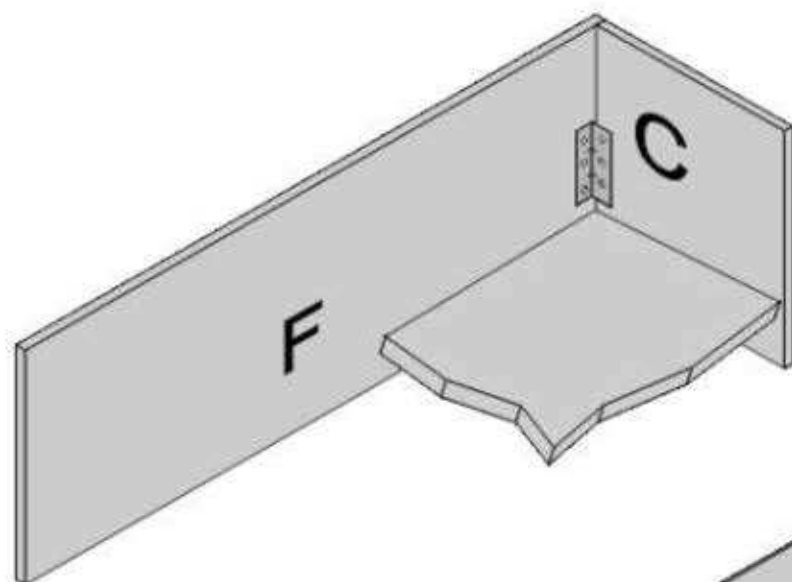
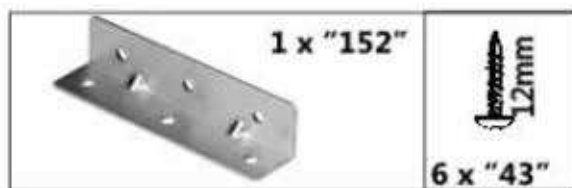
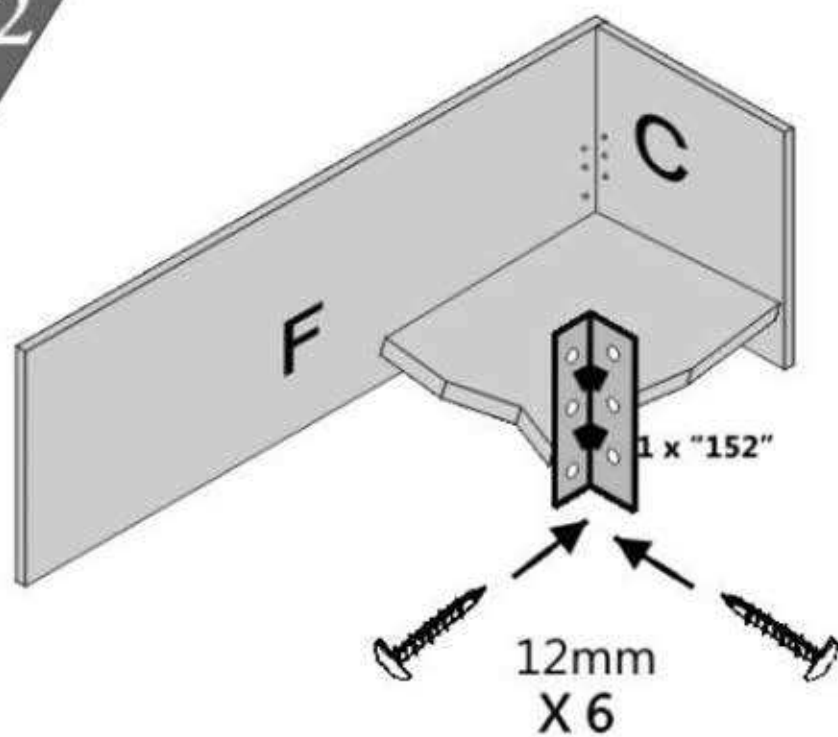
Use step ladder to assemble upper bed bases

Southwold High Bed

12mm
30 x "43"



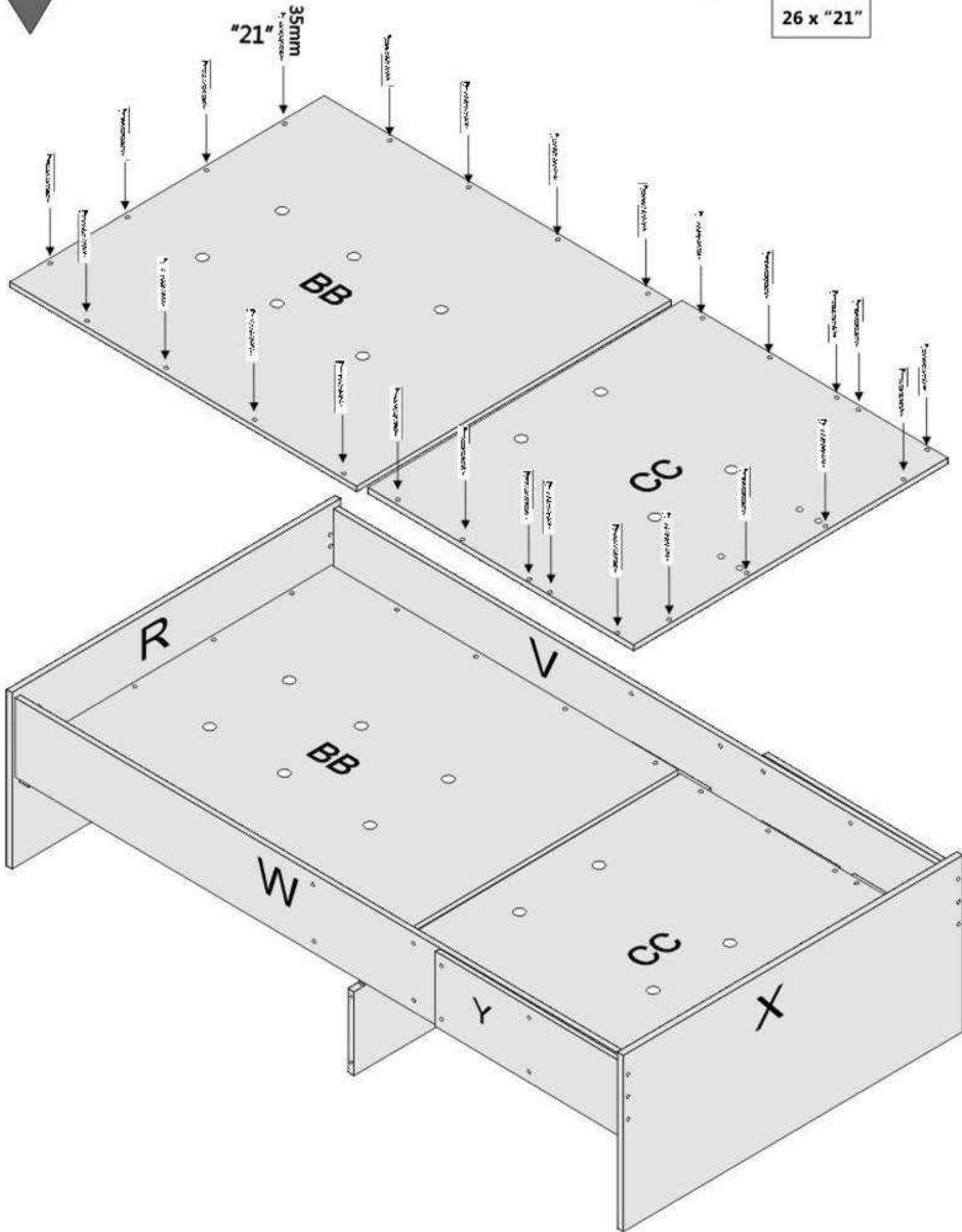
12mm
X 30





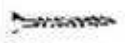

175cm Bed Only

35mm

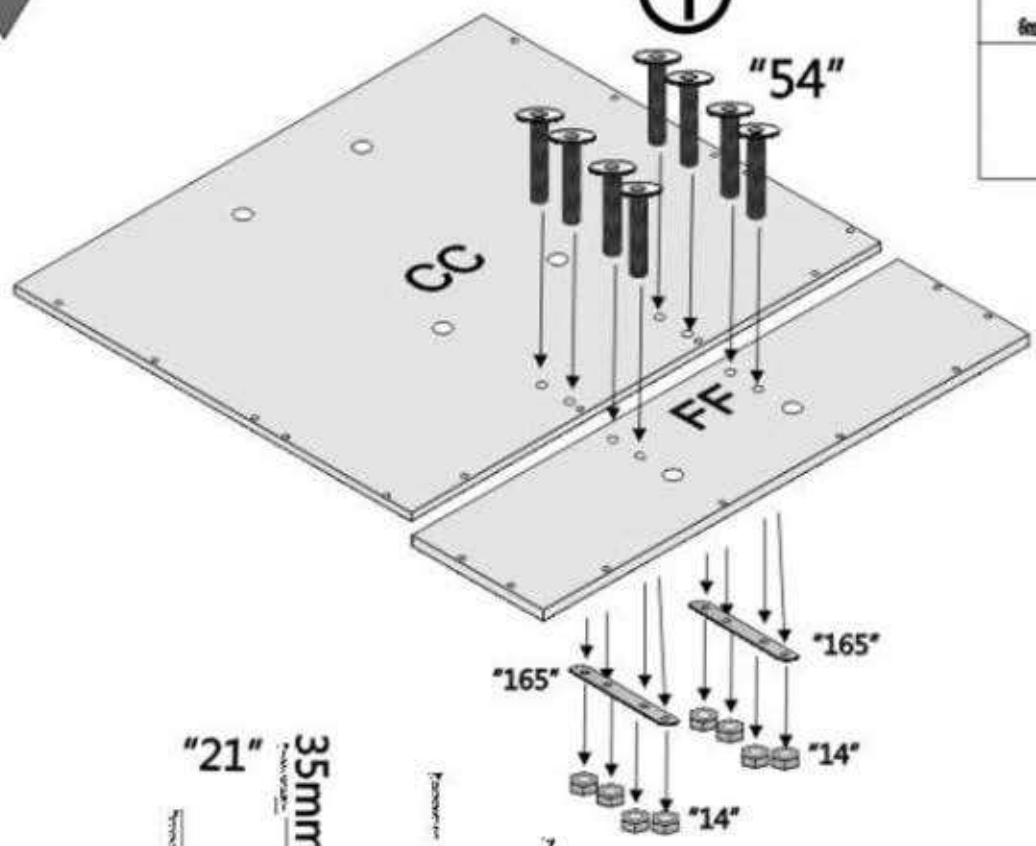
26 x "21"



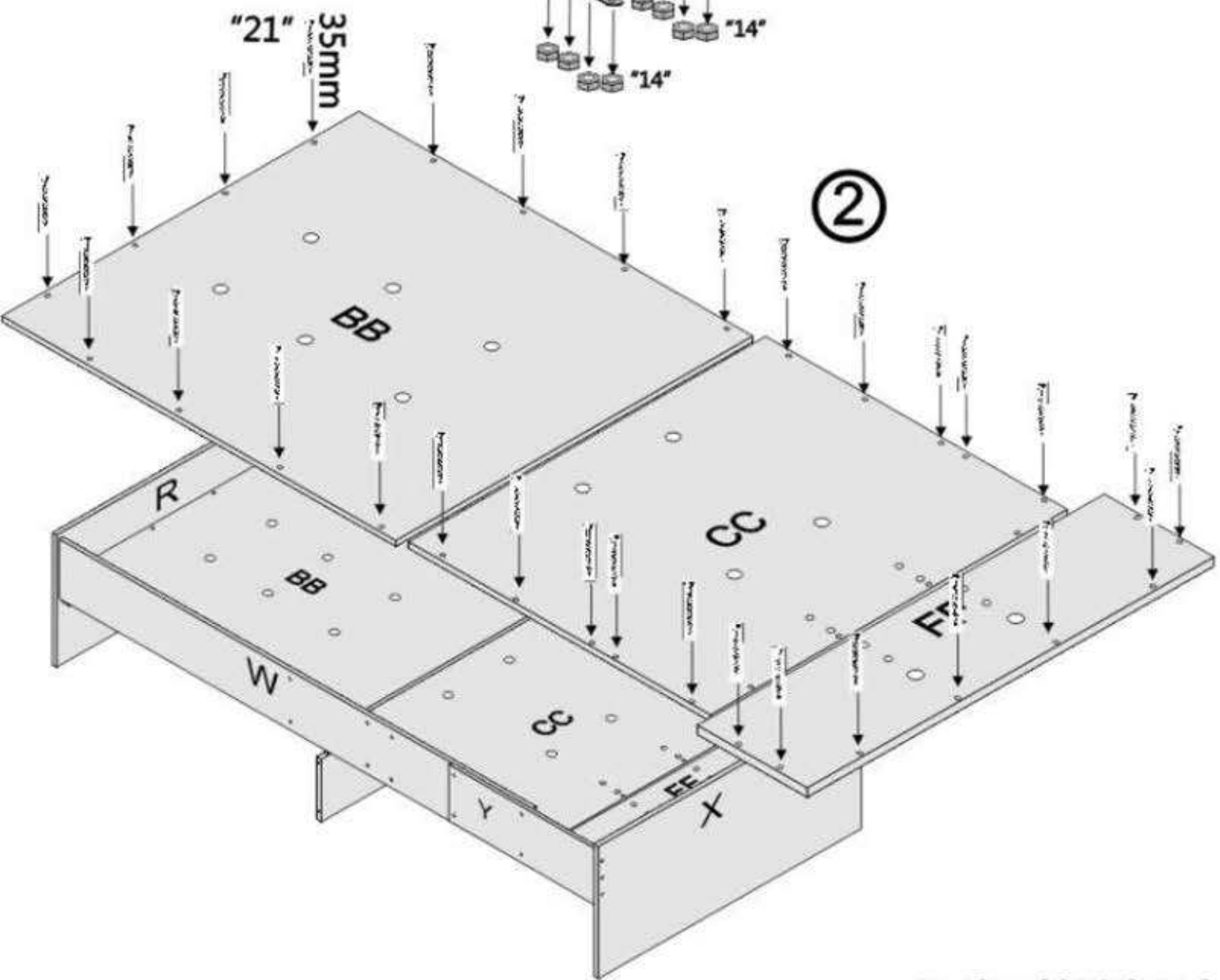
Southwold High Bed


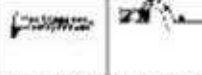


	8		
X	"14"	26mm	35mm
	8 x "54"	8 x "54"	30 x "21"
			
2 x "165"			

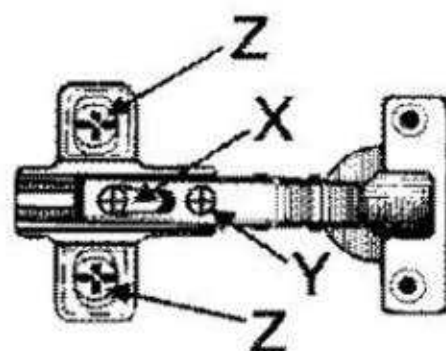
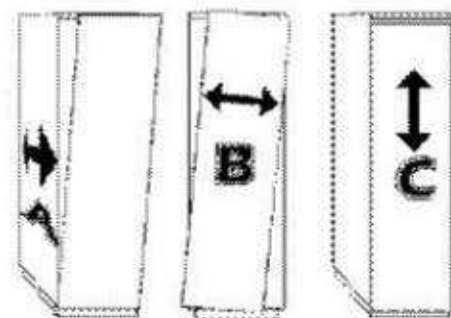
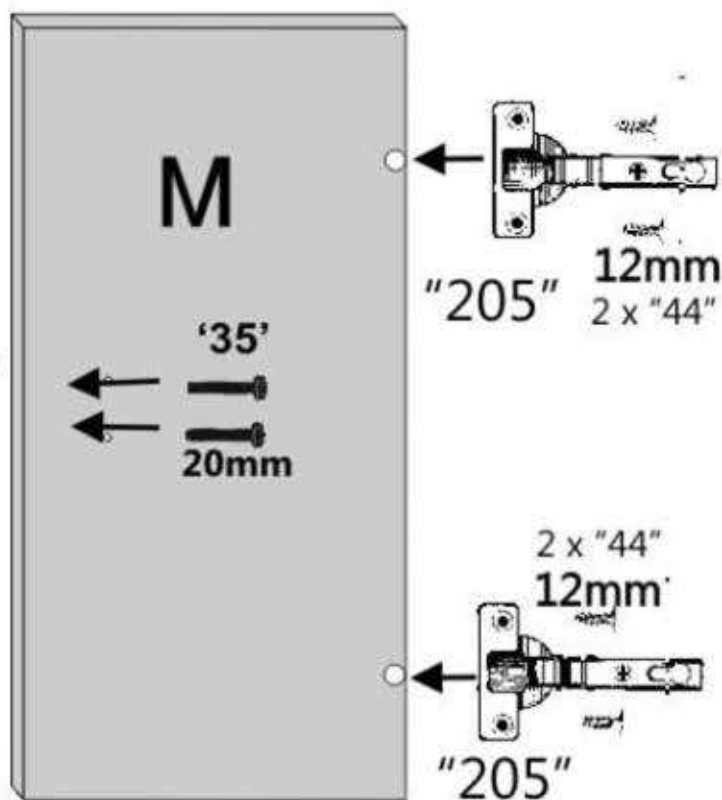
①



②



'121'	 49cm	1		'131'		1
			4 x "44" 2 x "205"	'35'	 20mm	2



$$X = A \rightarrow$$

$$X + Y = B \leftrightarrow$$

$$Z = C \updownarrow$$

Türen einstellen (Scharniere justieren)
Adjusting the doors (adjusting the hinges)

Régler les portes (ajuster les charnières)

Sistemare le porte (regolare le cerniere)

Deuren instellen (scharnieren afstellen)

Nastawić drzwi (wyregulować zawiasy)

Vyrovnejte dvířka (seřidte závěsy)

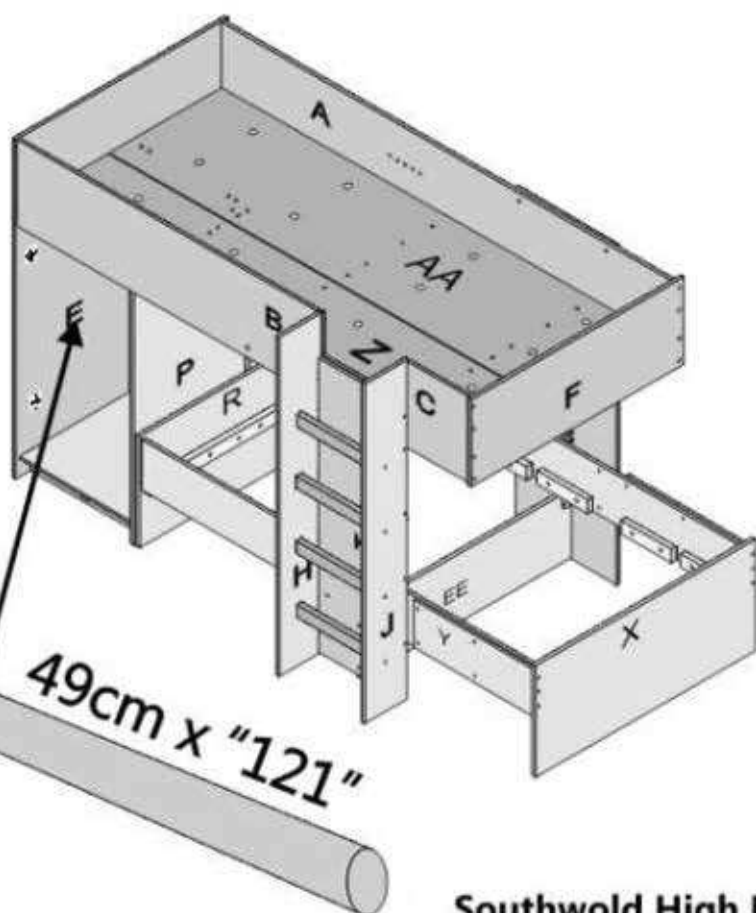
Nastavenie dverí (nastavenie závesov)

Állítsa be az ajtókat (állítsa be a zsanérokat)

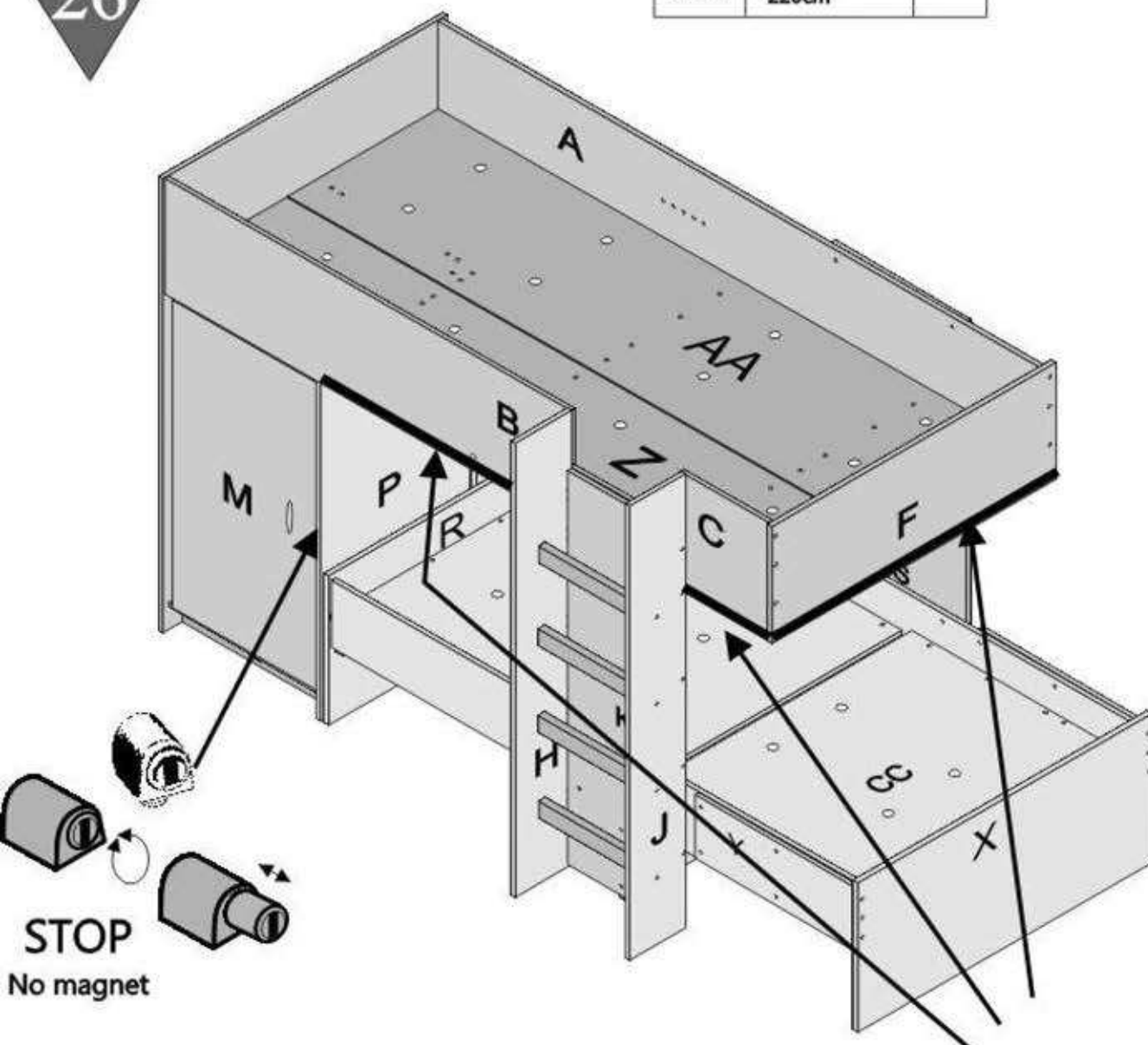
Reglare uși (ajustare balamale)

Kapıların ayarlanması (menteşelerin seviye ayarı)

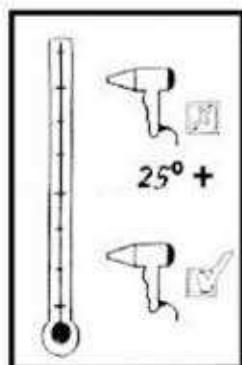
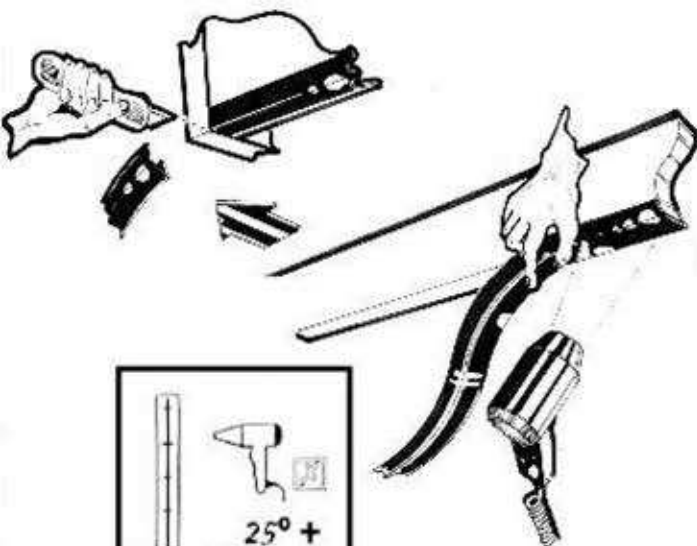
Регулировка дверей (регулировка шарнира)



Southwold High Bed



STOP
No magnet



WARNING! UK ONLY

To ensure that the safety rail is high enough above the mattress, a line is marked on the inside of panel 'A' this is the highest point that the mattress should reach.

Be aware of the danger of young children (under 6) falling from the bed when assembled in its highest position.

Make sure you show your child how to safely climb the ladder.

DO NOT USE THE DESK TOP OR SHELF AS A LADDER.

UK ONLY
UK Spares and Assembly HELPLINE 01572 755110
Manufacturer - Belvoir Associates Ltd
Pillings Road Oakham England