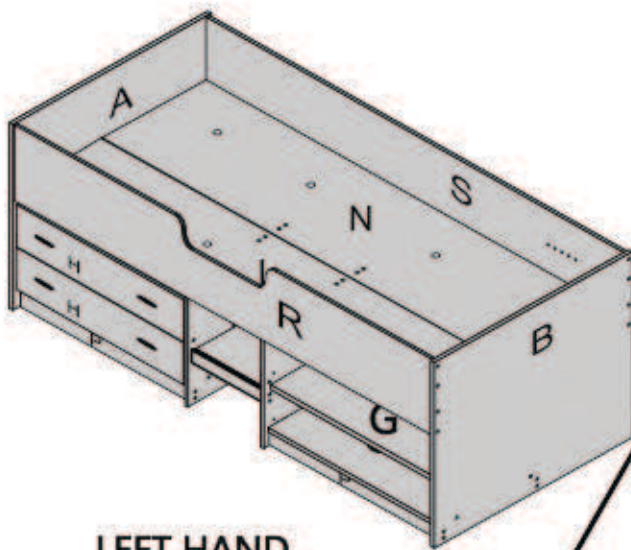
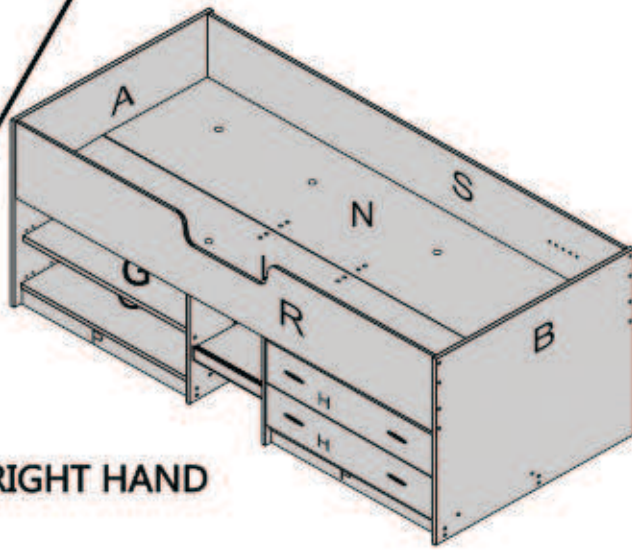


# Tinwell Bed

IMPORTANT - À LIRE ATTENTIVEMENT - CONSERVER POUR RÉFÉRENCE ULTÉRIEURE  
 WICHTIG - BITTE SORGFÄLTIG LESEN - BEHALTEN FÜR ZUKÜNFTIGE VERWEIS  
 BELANGRIJK - LEES ZORGVULDIG - BEHOUDEN VOOR TOEKOMSTIGE REFERENTIE  
 IMPORTANT - READ CAREFULLY - RETAIN FOR FUTURE REFERENCE



LEFT HAND

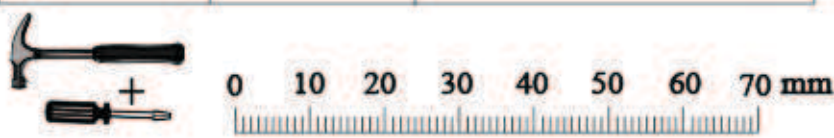


RIGHT HAND

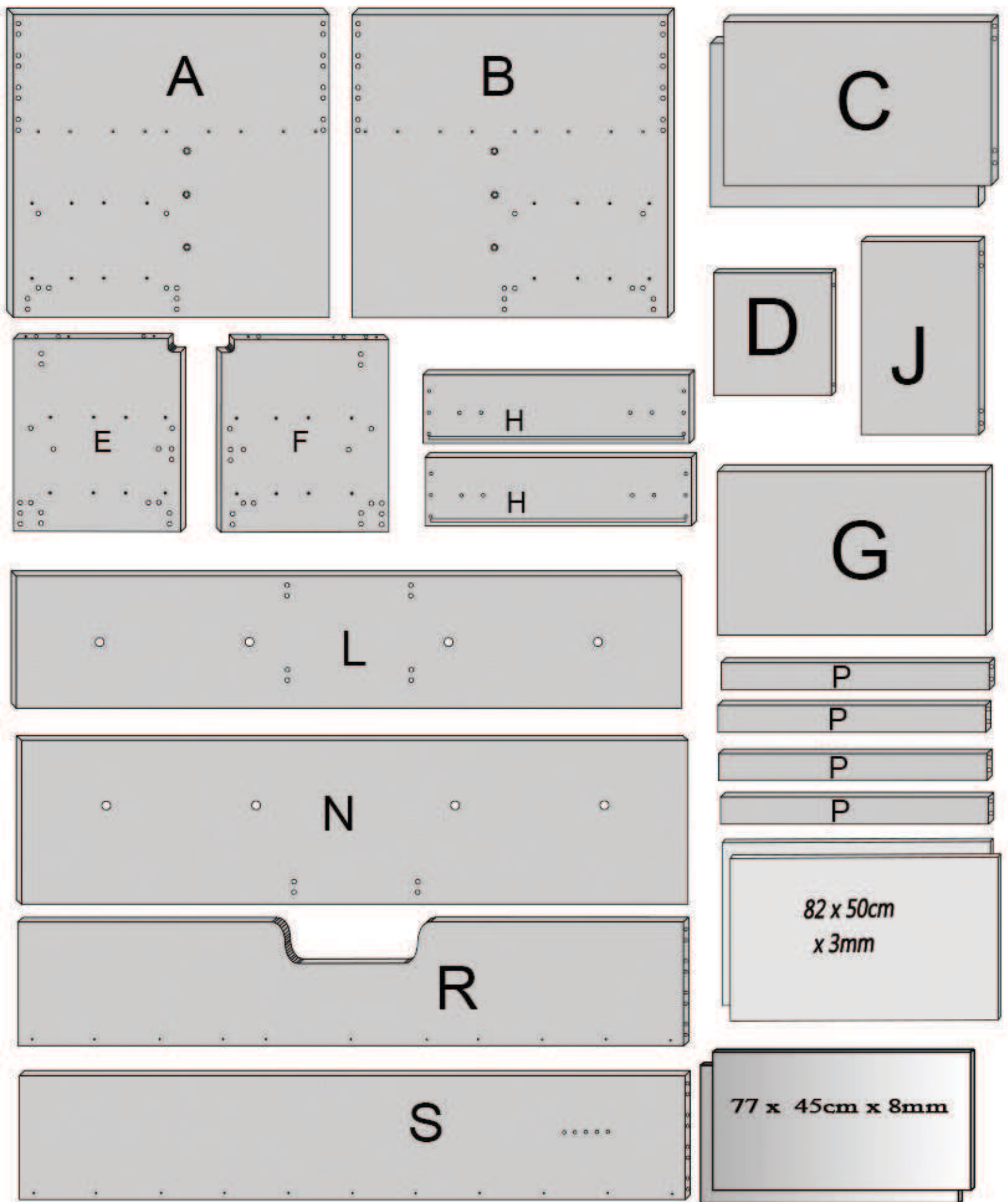
6 x "30" 4mm flat screw	34 x "220" 34x220mm dowel	2 x "23" Barrel nut	2 x "238" 50x10mm Dowels	6 x "106" Captivated Shelf Support	16 x "44" 12xNo6,BZPP,Posi,CSK	1 x "25" 4mm Allen key	2 pairs x "62" 4 pairs 45cm runners
48 x "28" 50mm Conflat	8 x "35" 20mm x M4	4 x "131" 4x131mm metal handle	40 x "155" DT 484	30 x "13" Fins	100 x "43" 12x108 Pin BZP Posi	2 or 4 x "219" Glue	

A	—	1	J	—	1	2 x 77 x 45 cm x 8mm
B	—	1	L	—	1	2 x 82 x 50cm x 3mm
C	—	2	N	—	1	
D	—	1	P	—	4	
E	—	1	R	—	1	
F	—	1	S	—	1	
G	—	1				
H	—	2				

1 x "534" U channel	2 x "18" M6 x 50mm Conflat bolt	2 x "997" 78x45x18mm
4 x "100" 5mm Shelf Support	Mini screwdriver	
1 x "570" 36cm Mdf 35cm step	"990" Nail Tool	48 x "997" Conflat cover caps



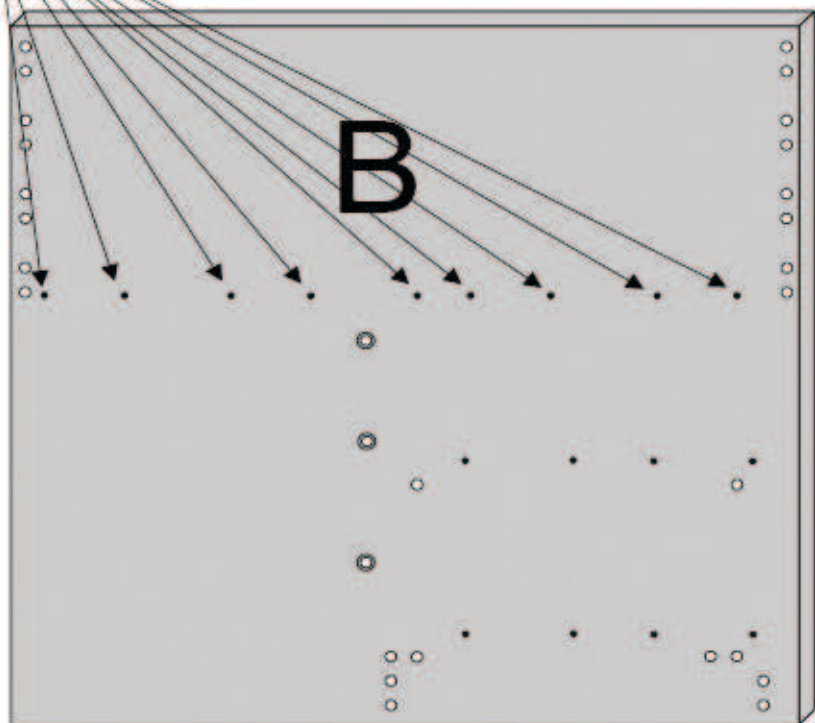
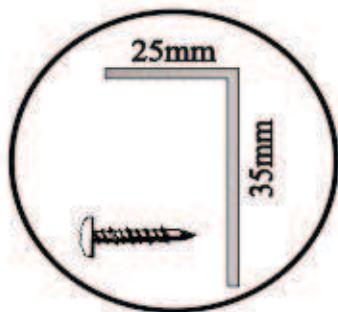
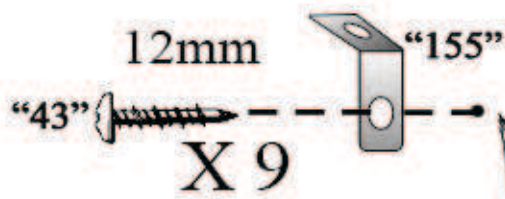
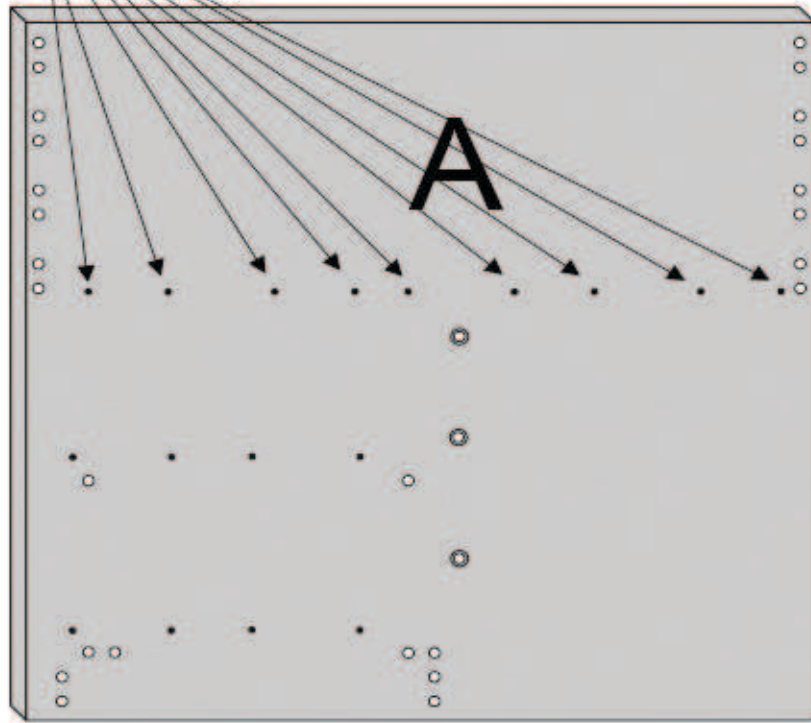
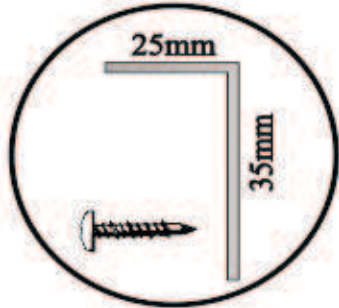
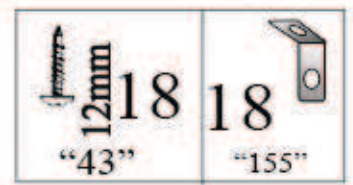
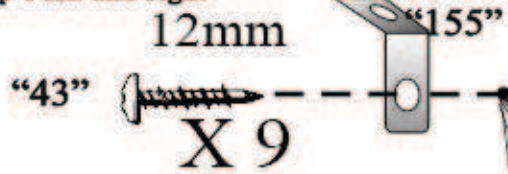
# Tinwell Bed



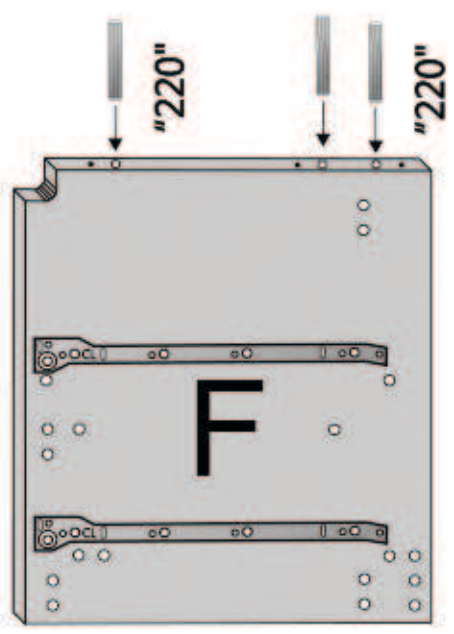
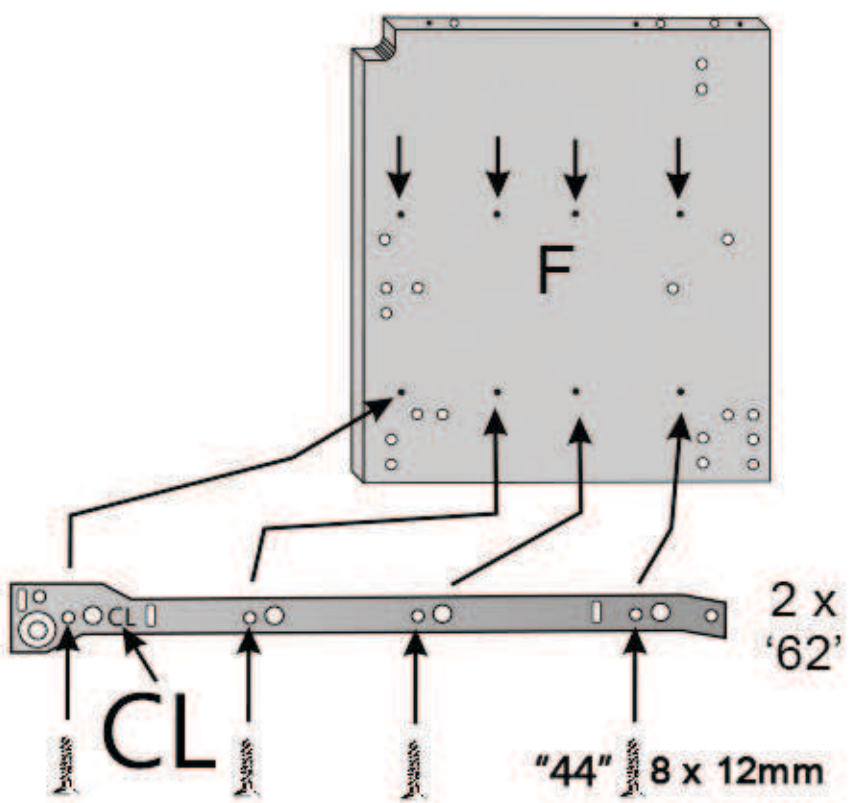
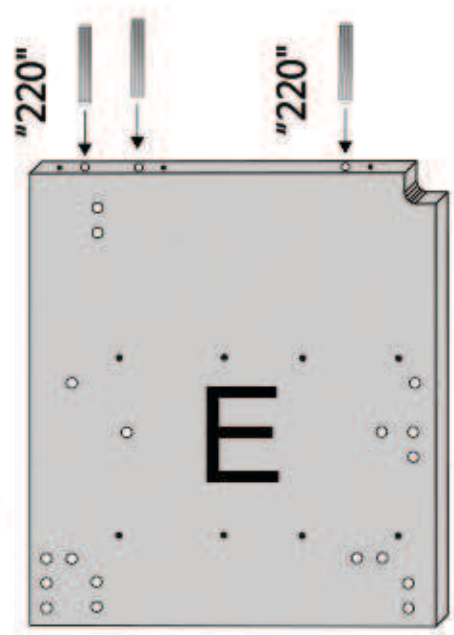
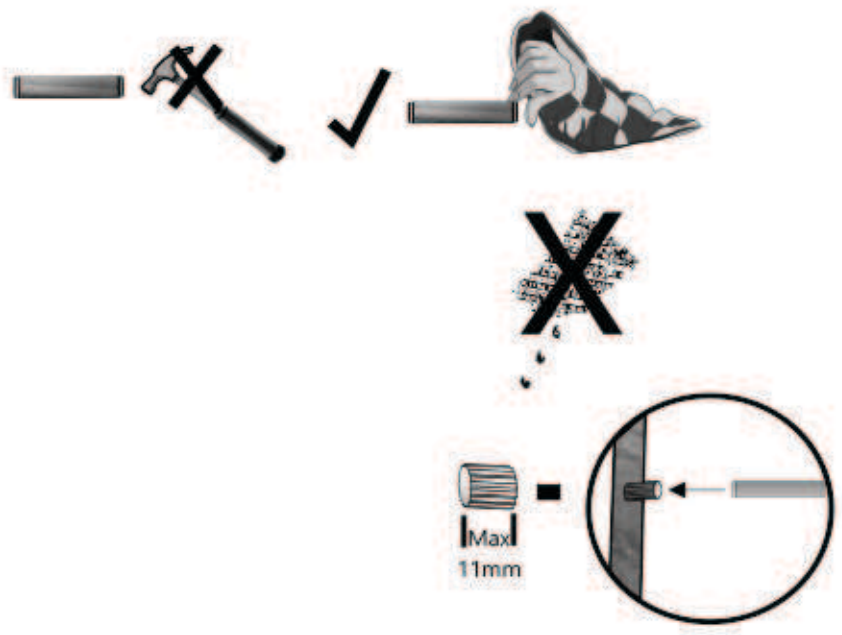
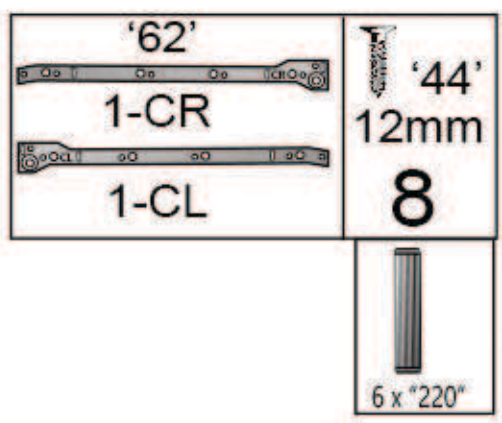
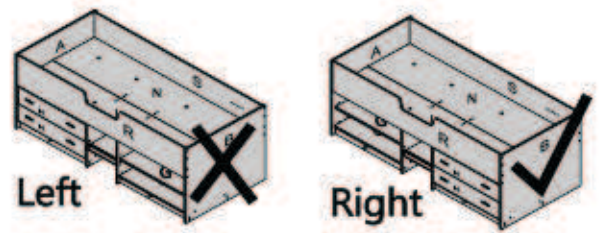


# Tinwell

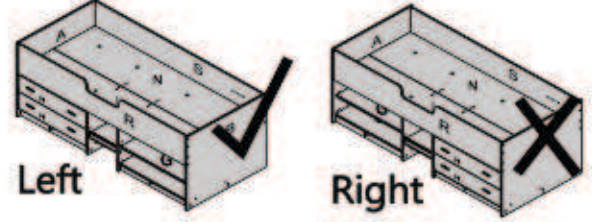
Step 1 left and right



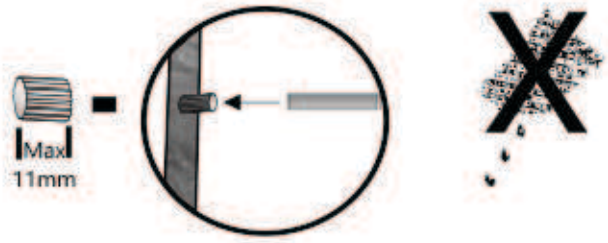
Tinwell  
Step 2 Right



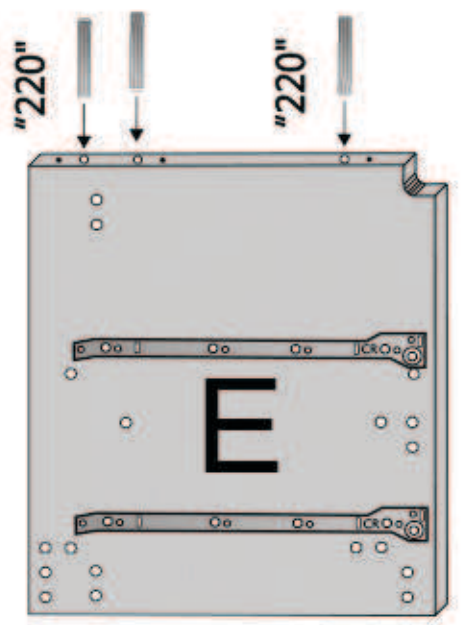
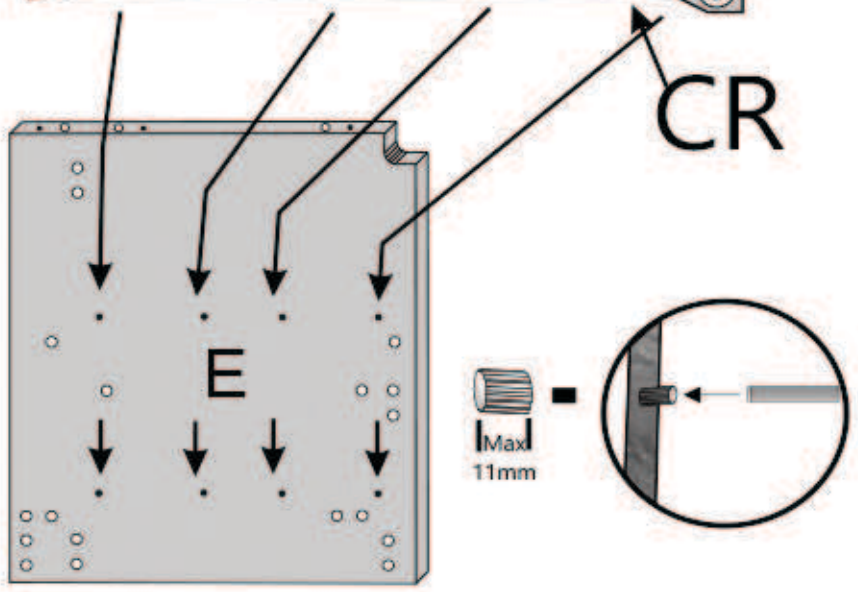
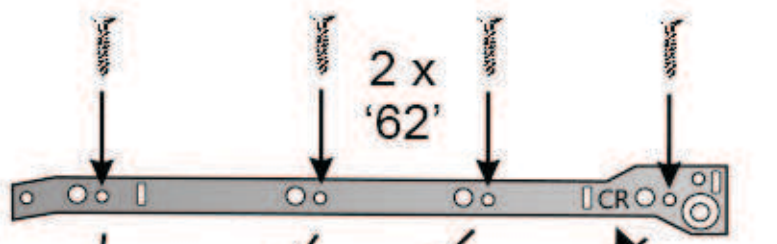
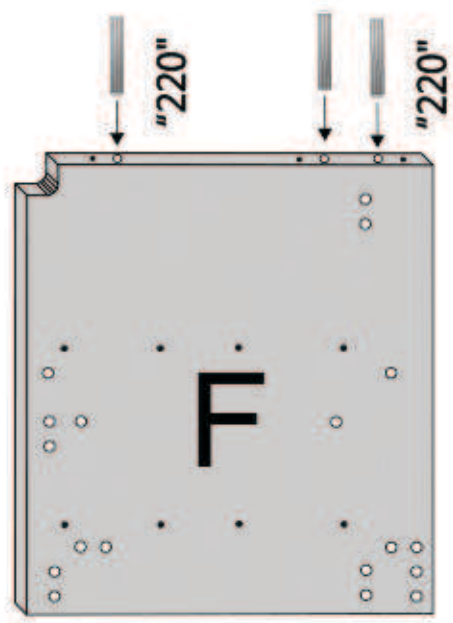
Tinwell  
Step 2 Left



'62'	'44'
1-CR	12mm
1-CL	8
	6 x "220"



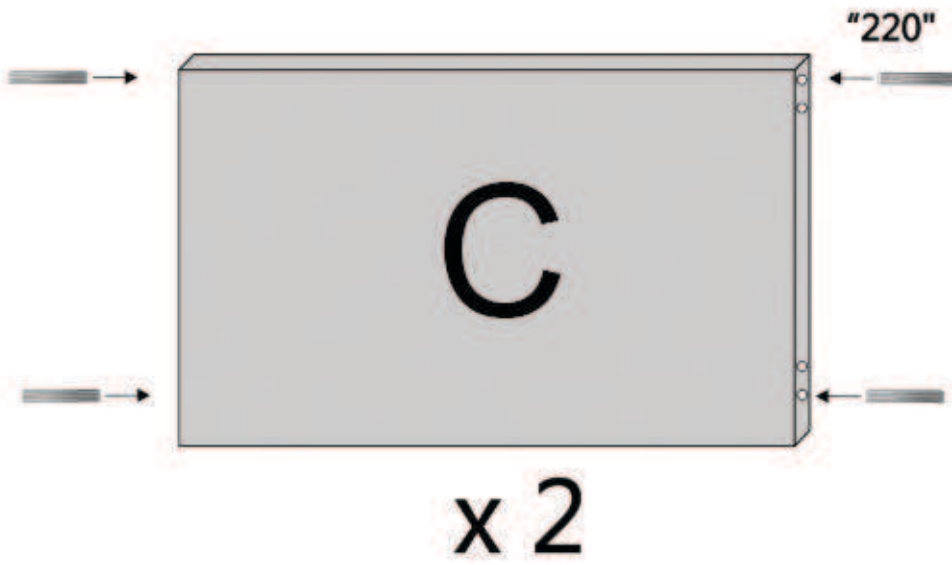
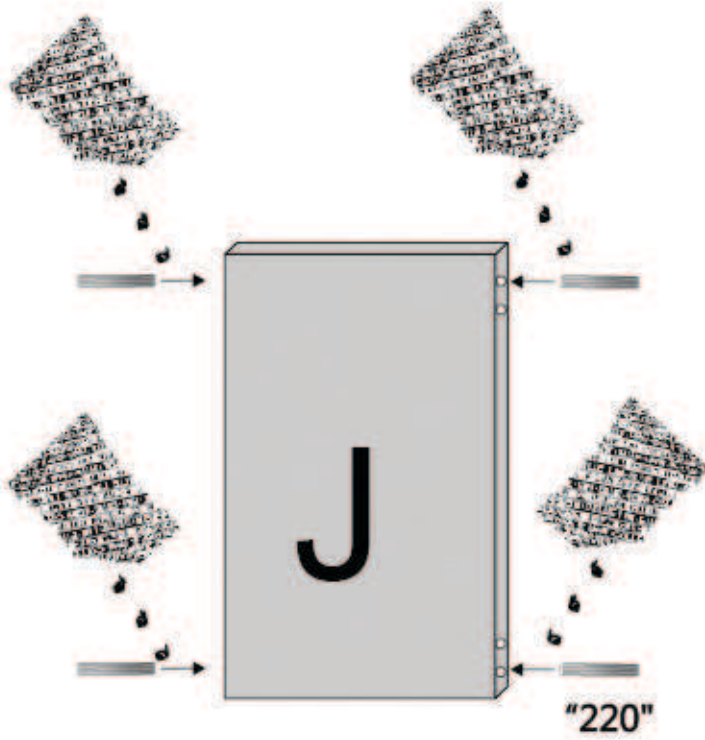
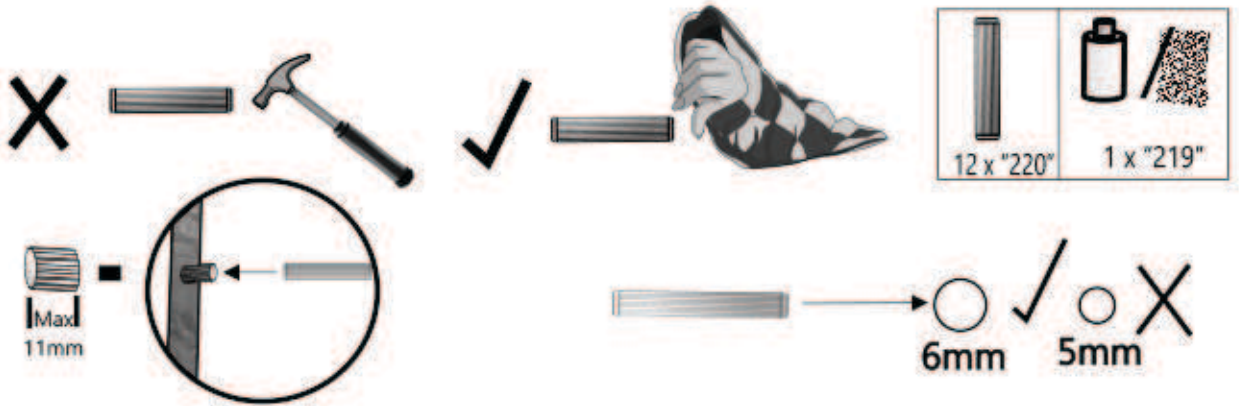
"44"  
8 x 12mm





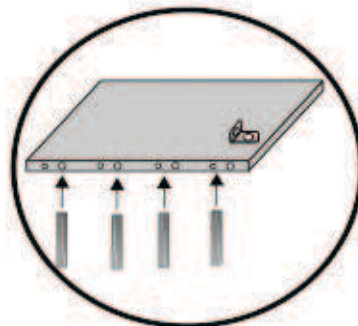
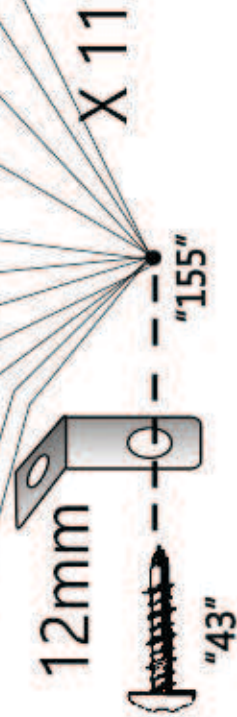
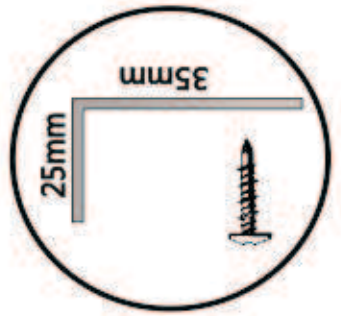
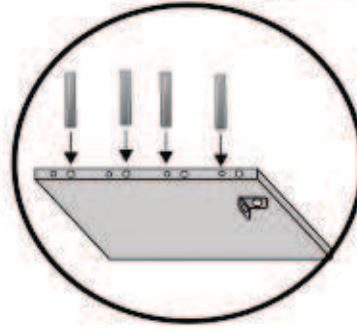
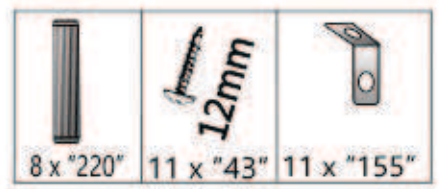
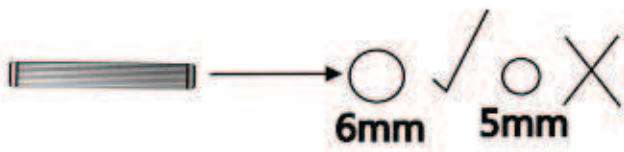
# Tinwell

Step 3 Left and Right



# Tinwell

Step 4 Left and Right



# Tinwell

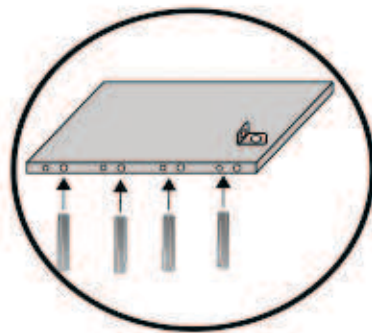
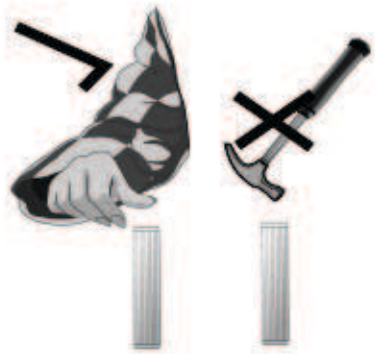
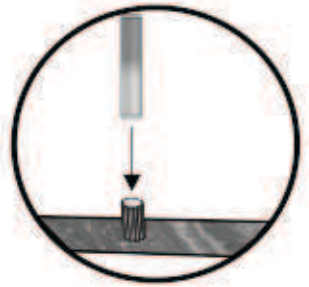
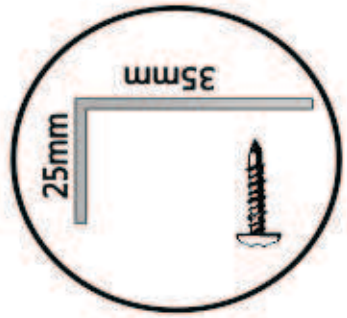
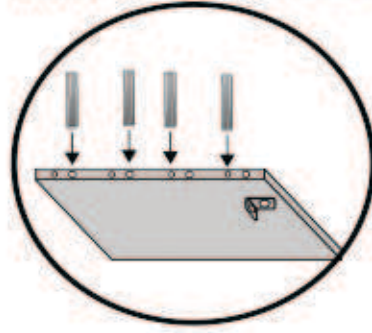
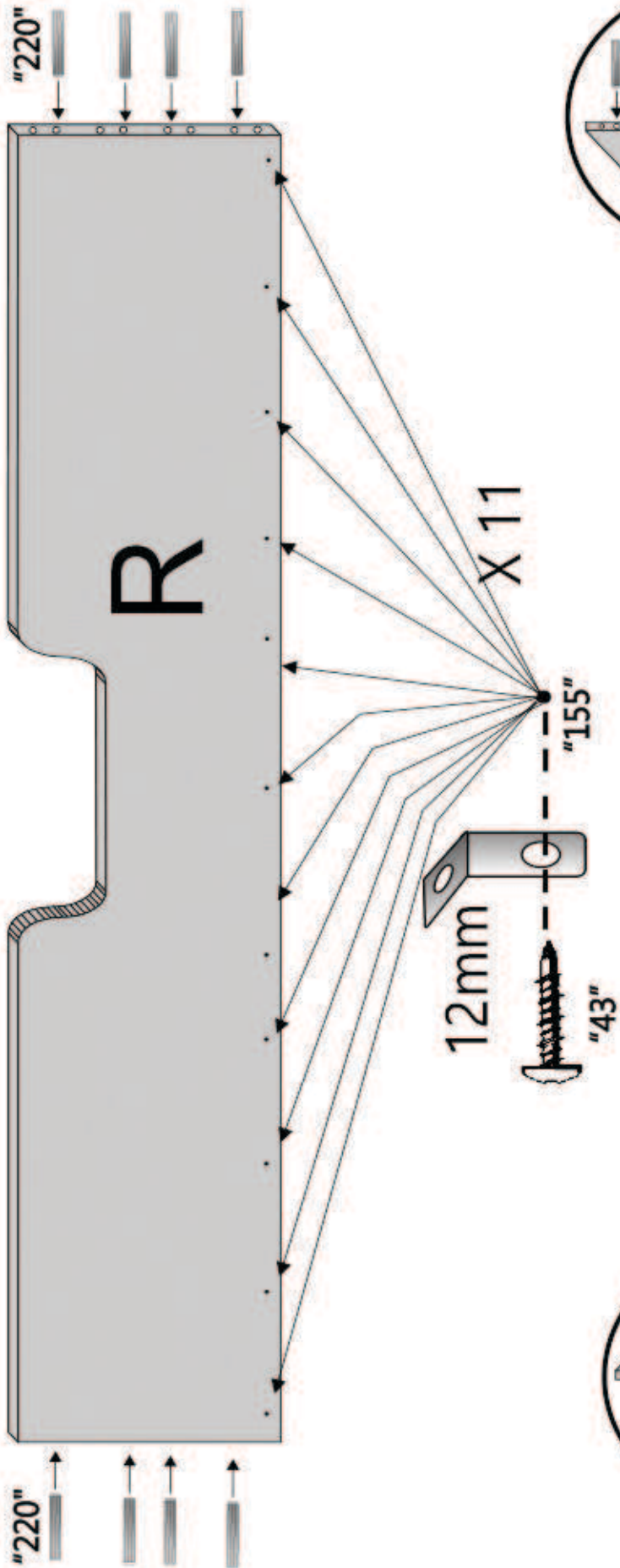
Step 5 left and right



6mm

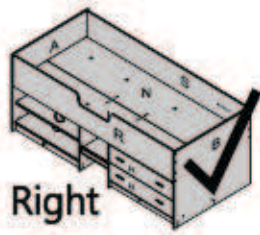
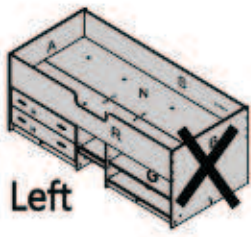
5mm

8 x "220"	11 x "43"	11 x "155"

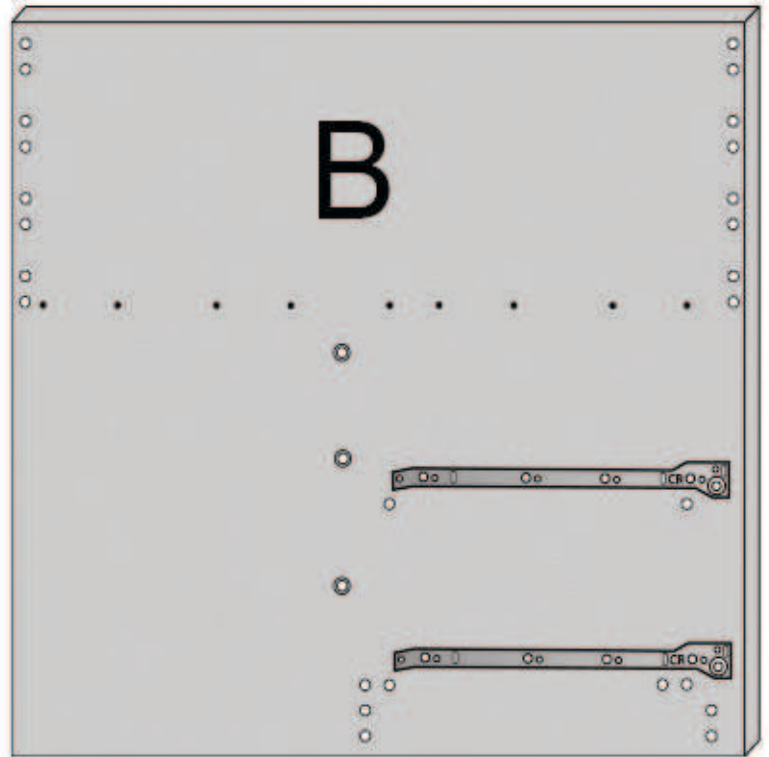
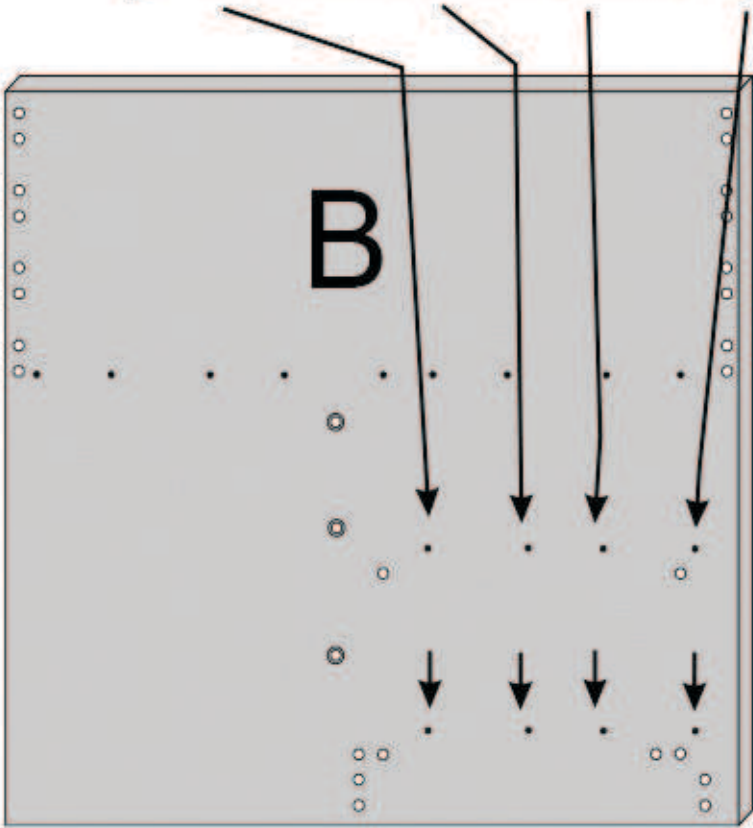
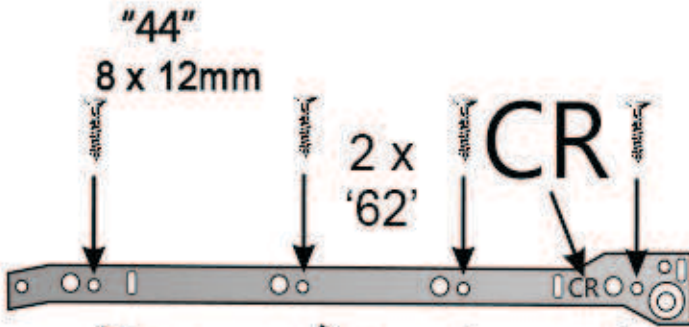


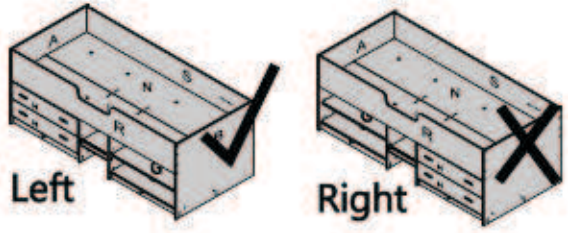



Tinwell  
Step 6 Right

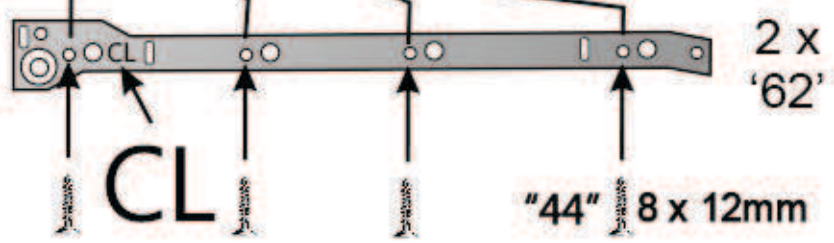
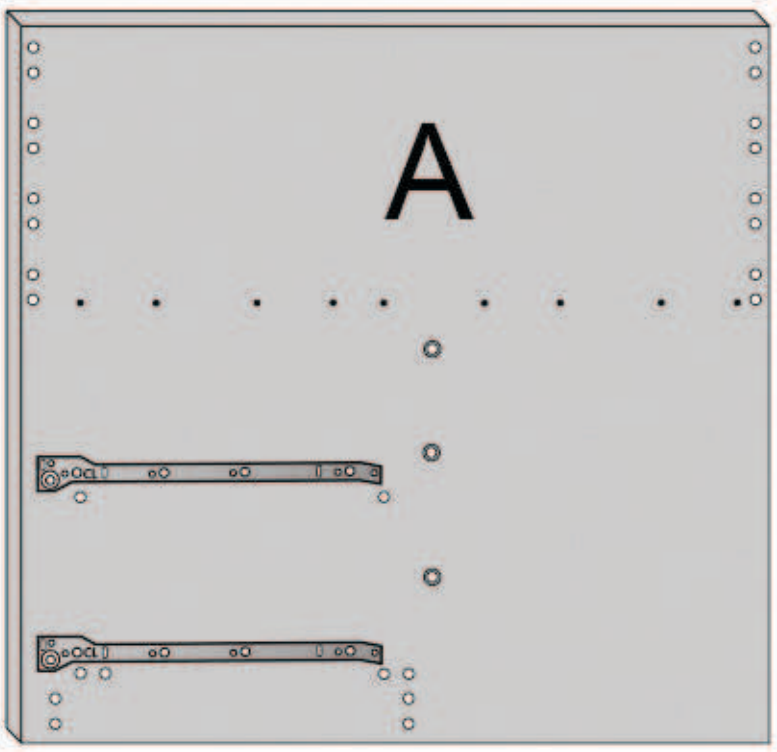
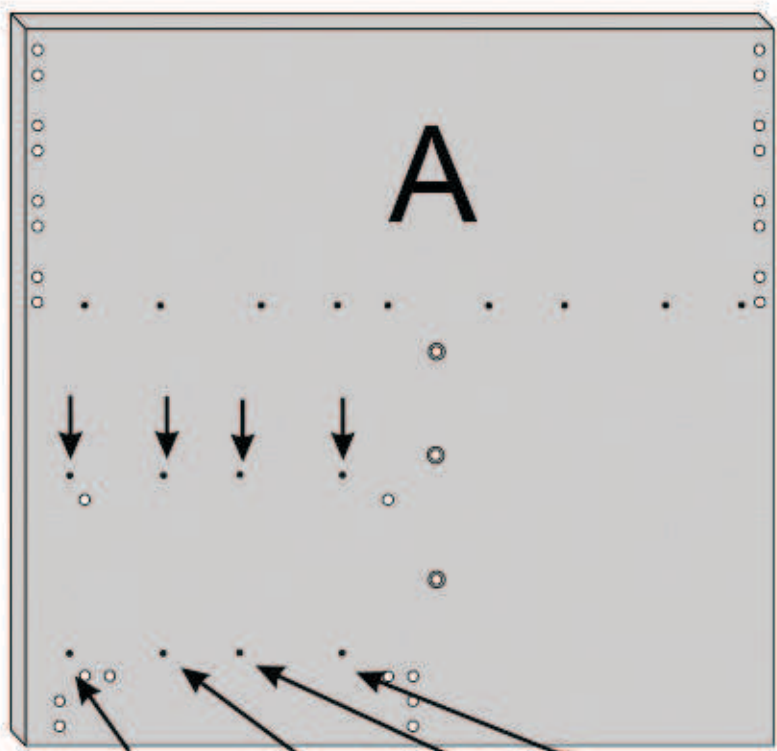


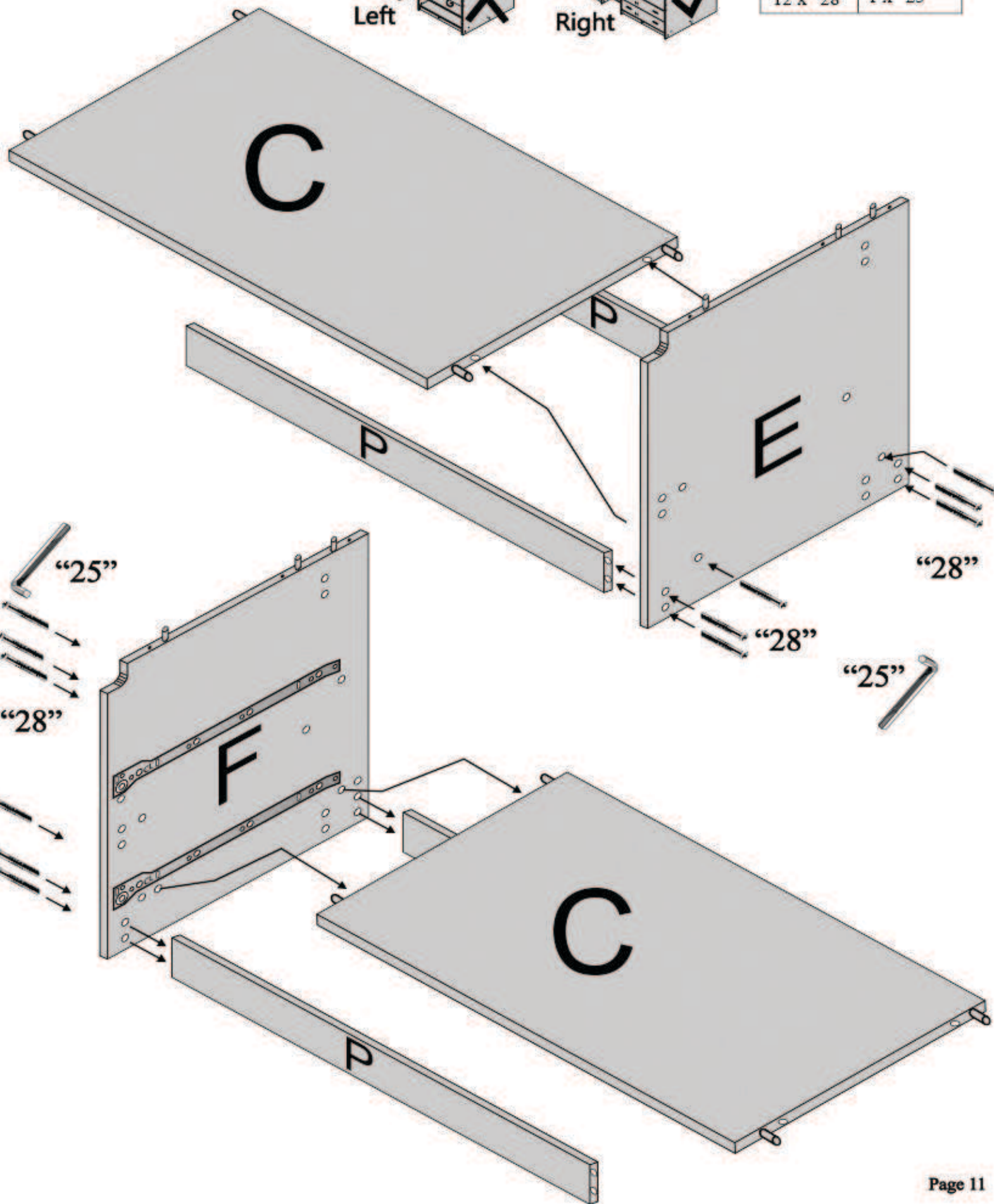
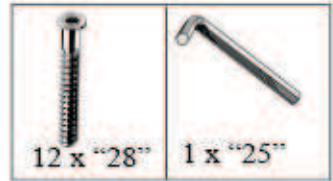
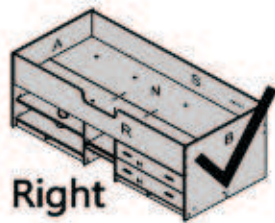
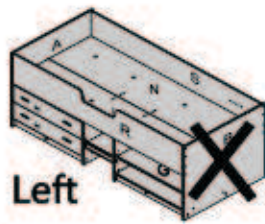
'62'	'44'
1-CR	12mm
1-CL	8





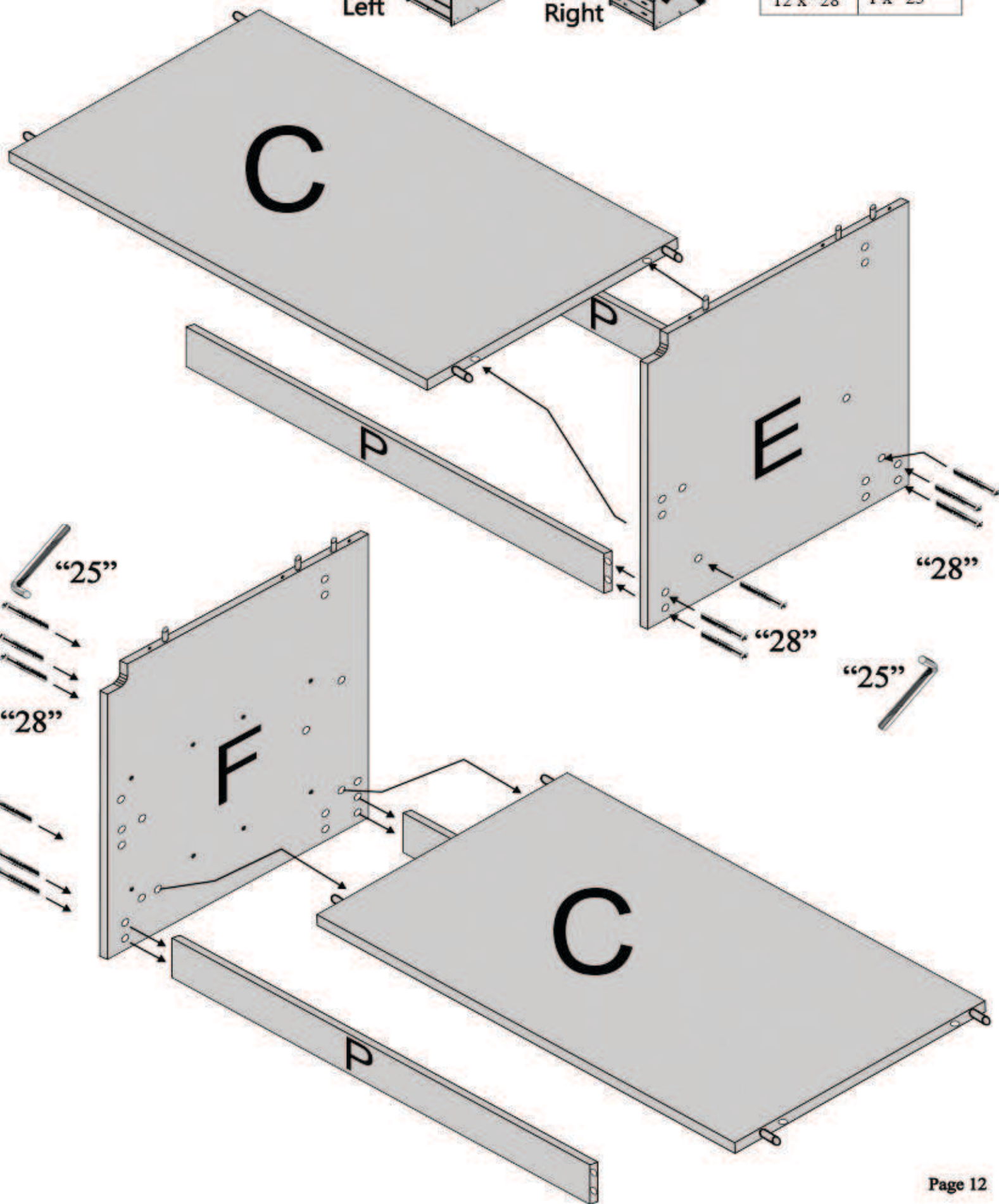
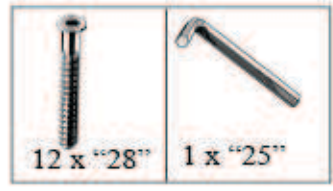
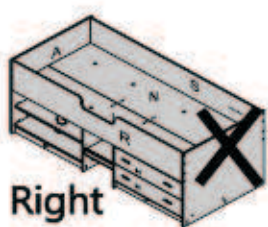
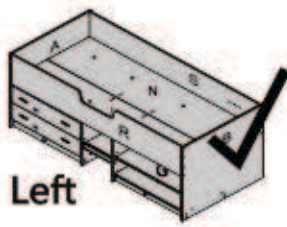
'62'	 '44' 12mm <b>8</b>
1-CR	
1-CL	





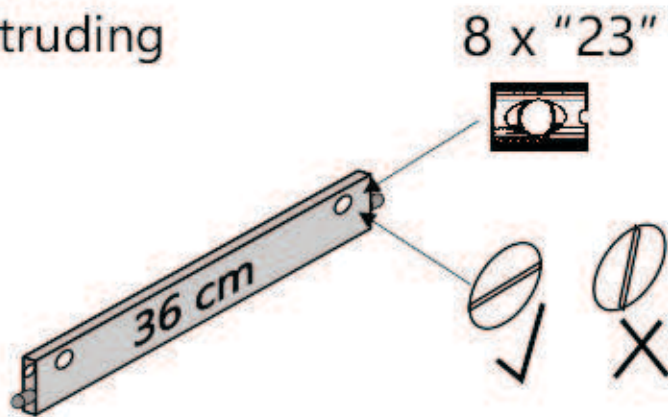
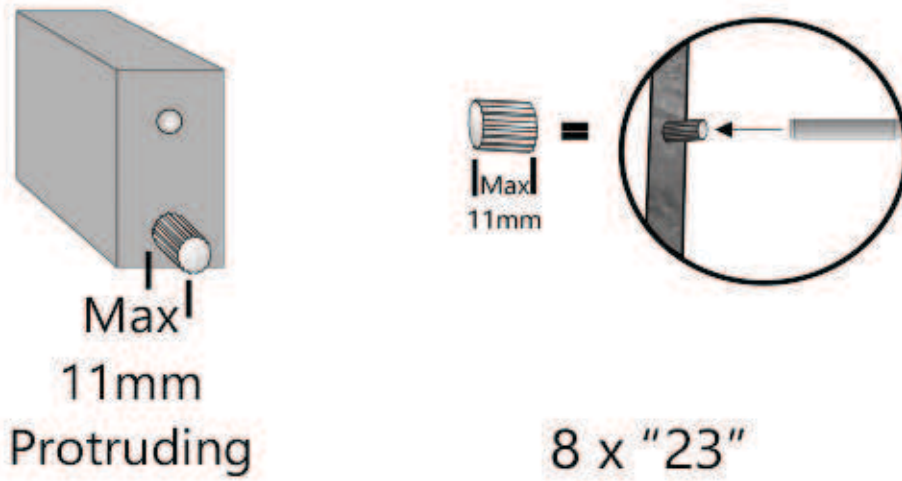
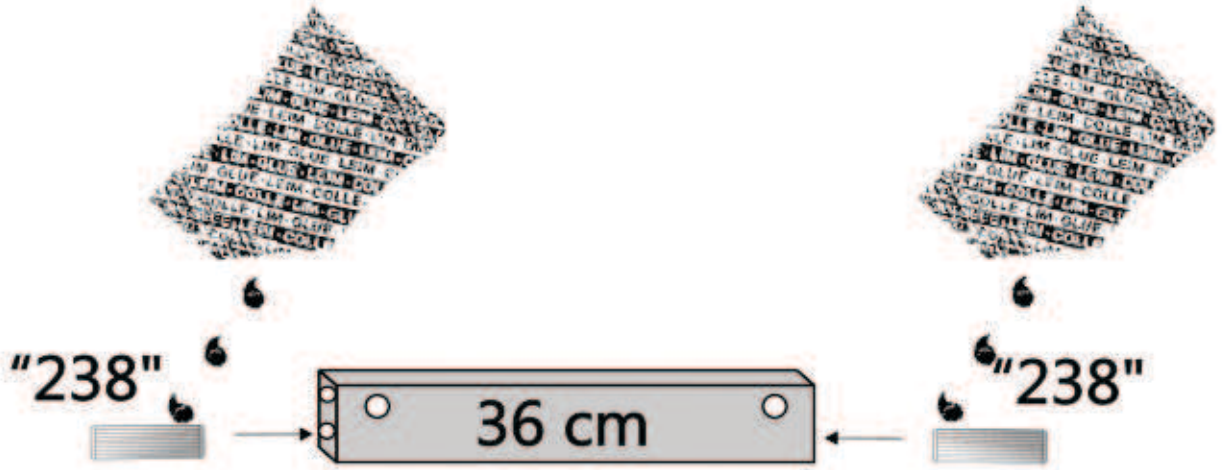


Tinwell  
Step 7 Left



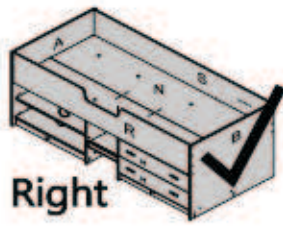
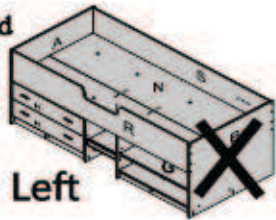
Tinwell  
Step 8 Left and Right

 2 x "23"	 1 x "219"	 2 x "238"
--	---	---

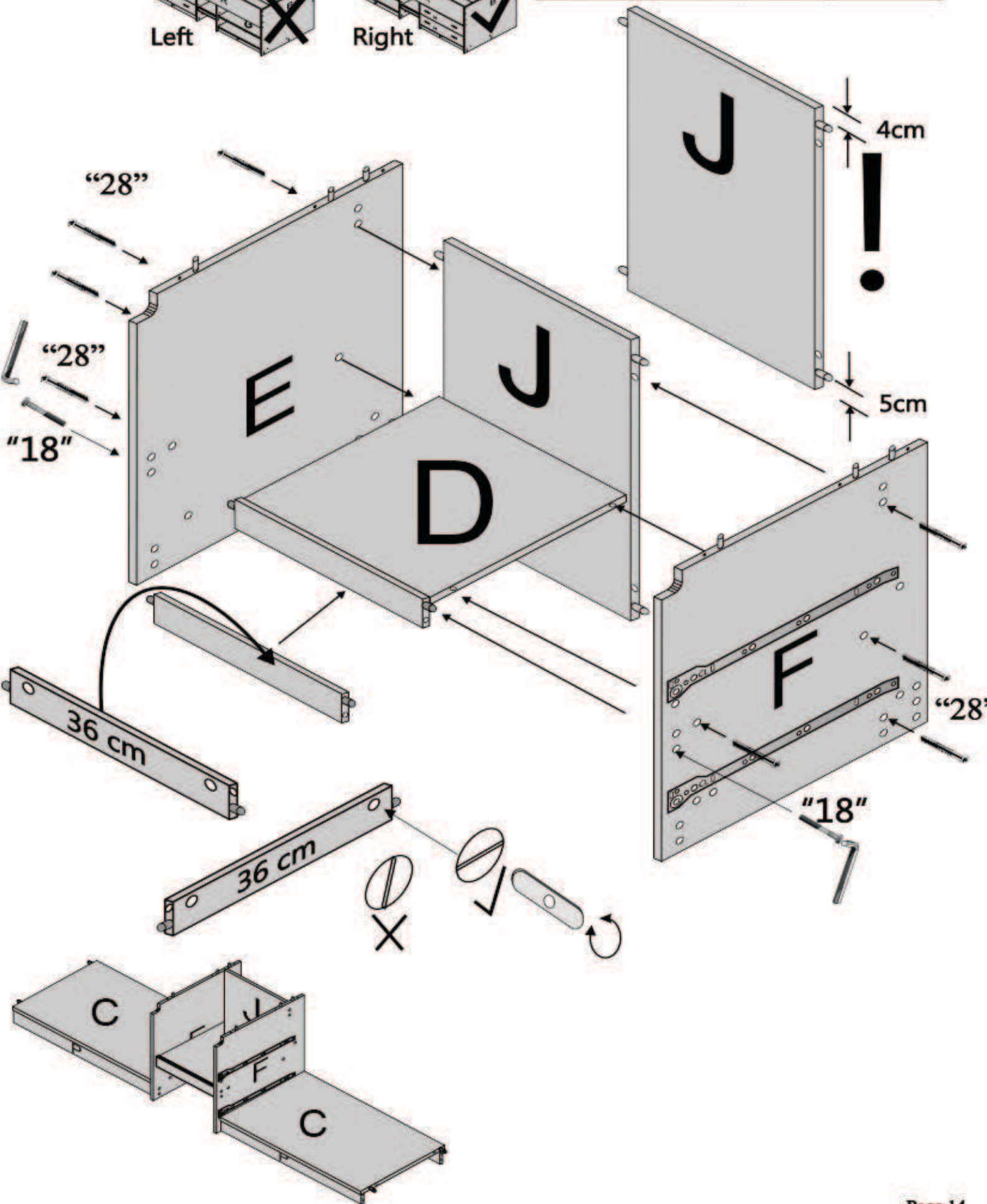




**Tinwell**  
**Step 9 Right hand**

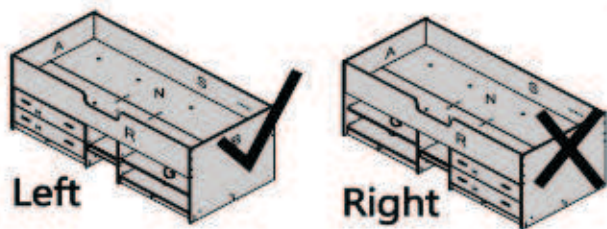






			
8 x "28"	50mm x M6 2 x "18"	1 x "25"	1 x "151"

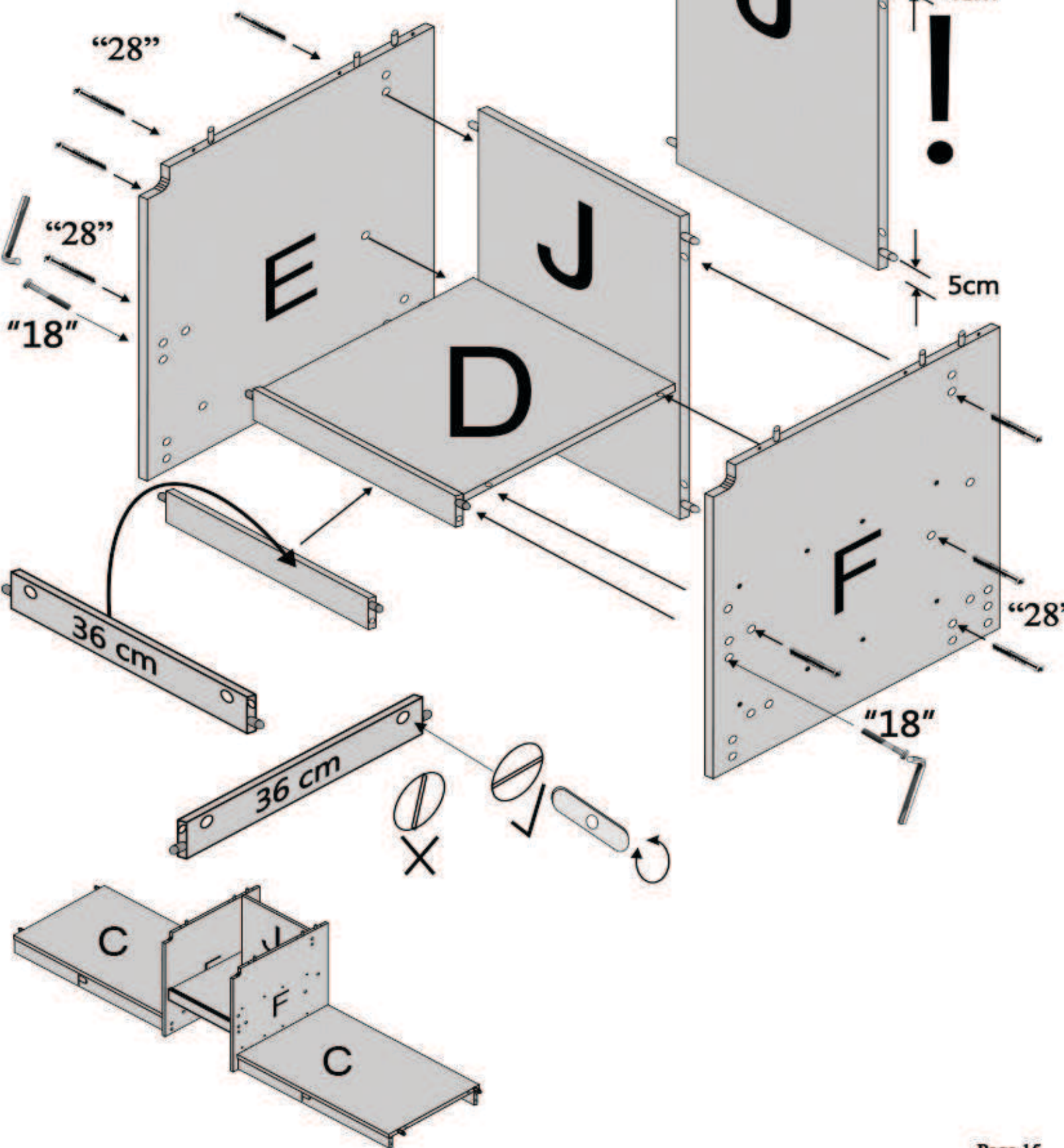




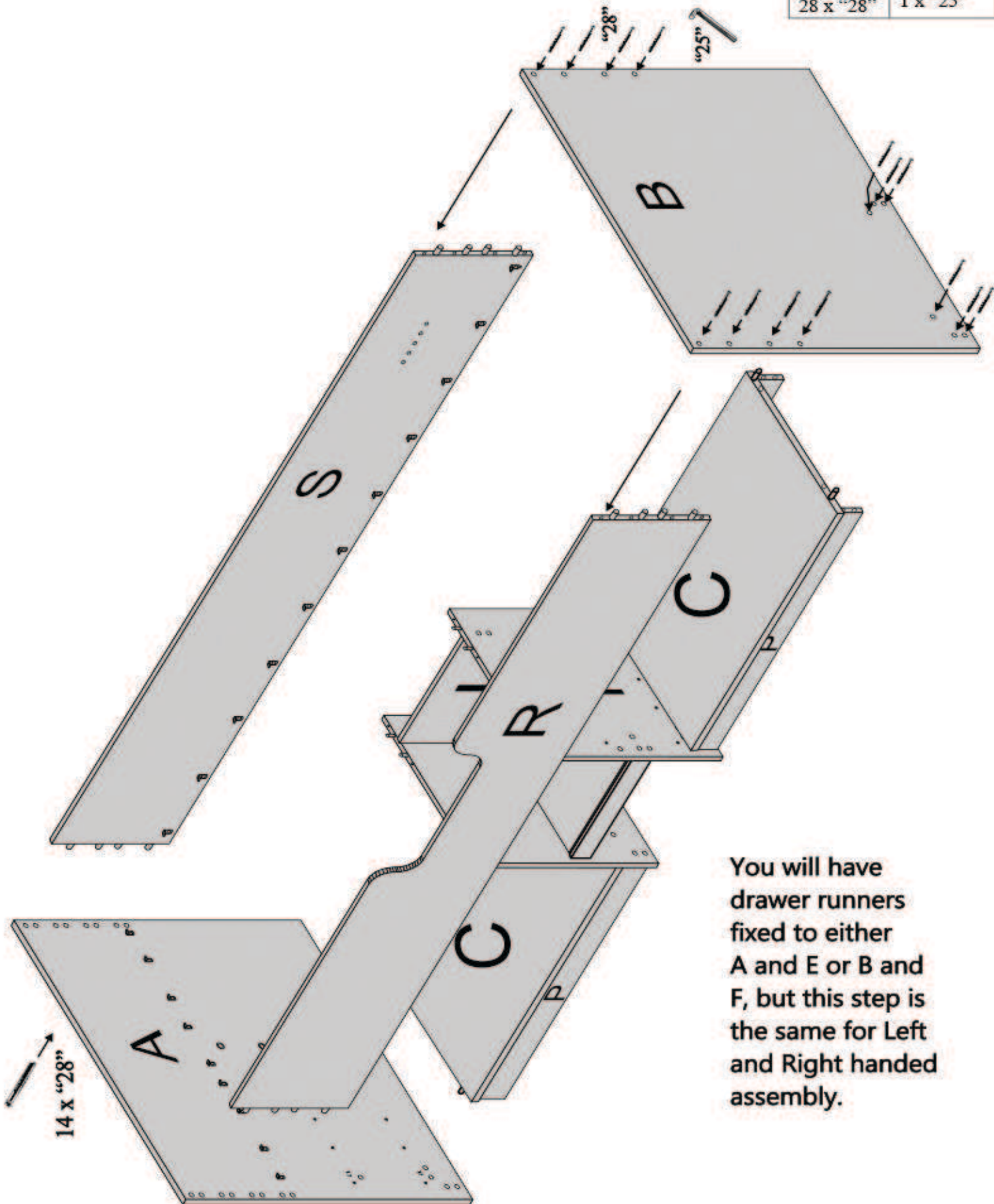
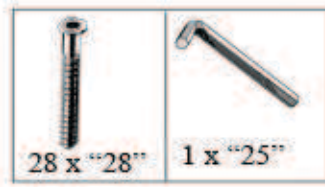
Tinwell  
Step 9 Left hand



 8 x "28"	 50mm x M6 2 x "18"	 1 x "25"	 1 x "151"
--	---	---	--

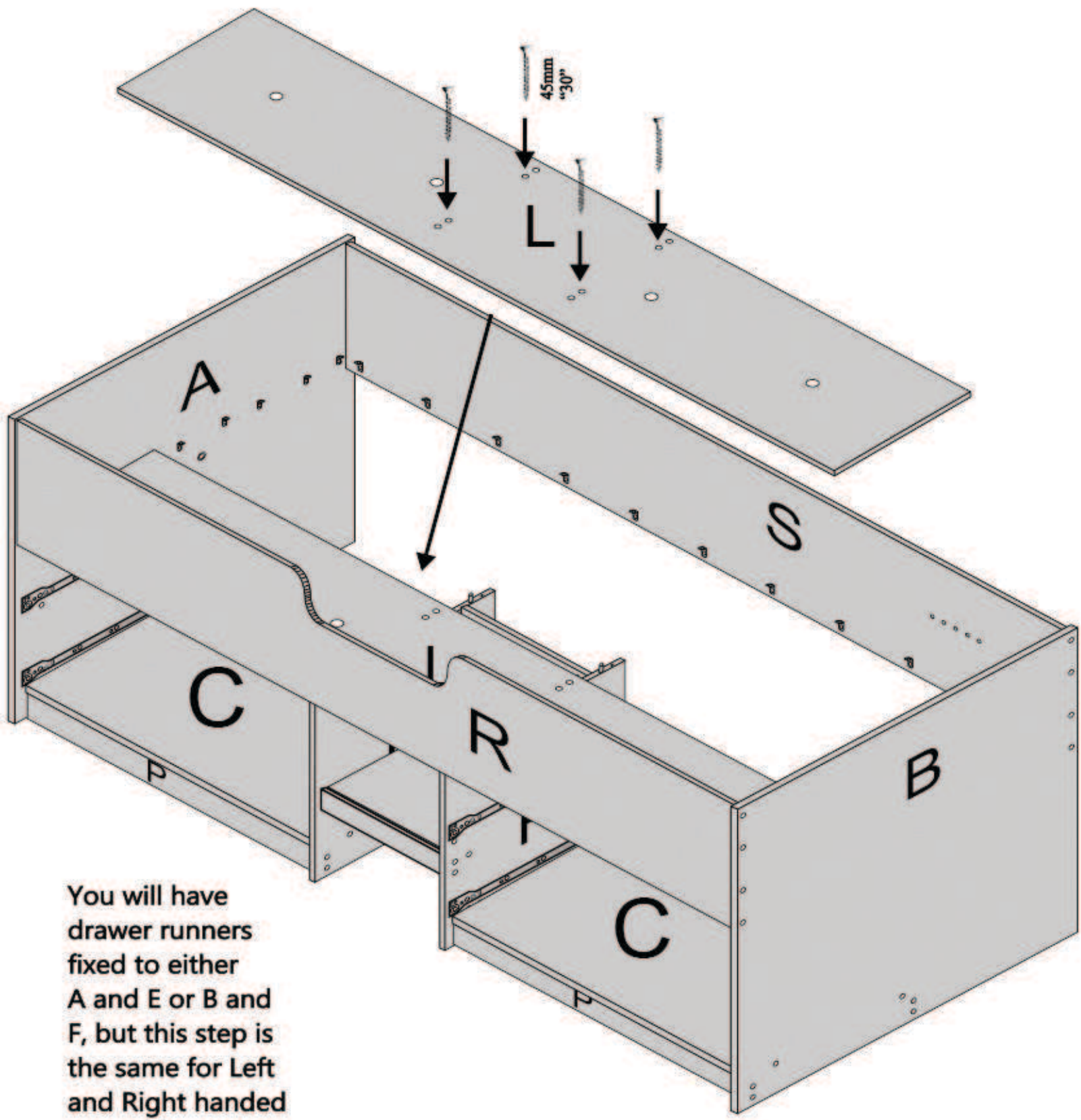


Tinwell  
Step 10 Left and Right



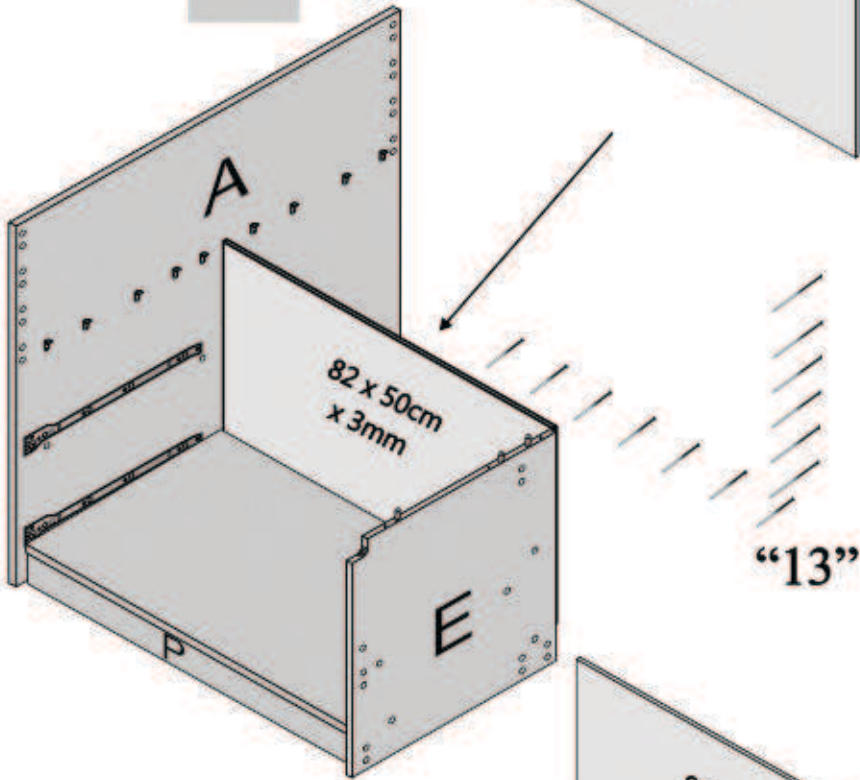
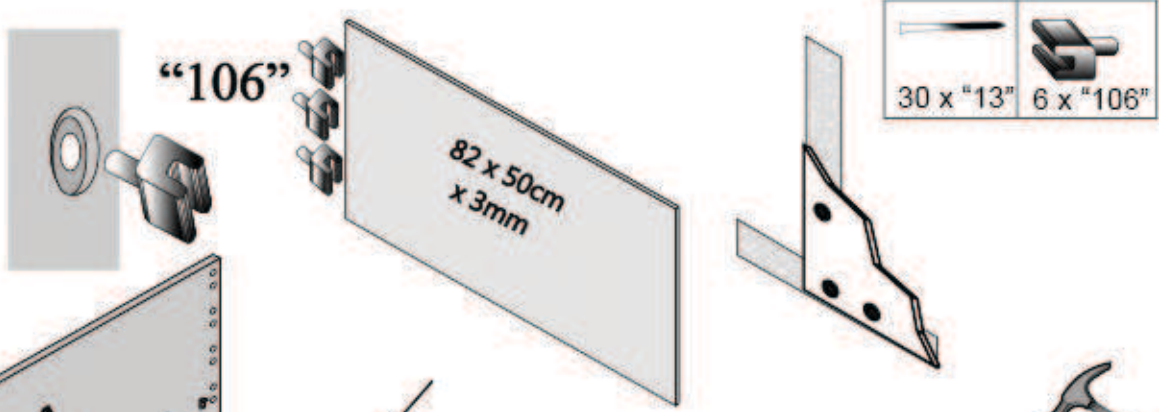
You will have drawer runners fixed to either A and E or B and F, but this step is the same for Left and Right handed assembly.





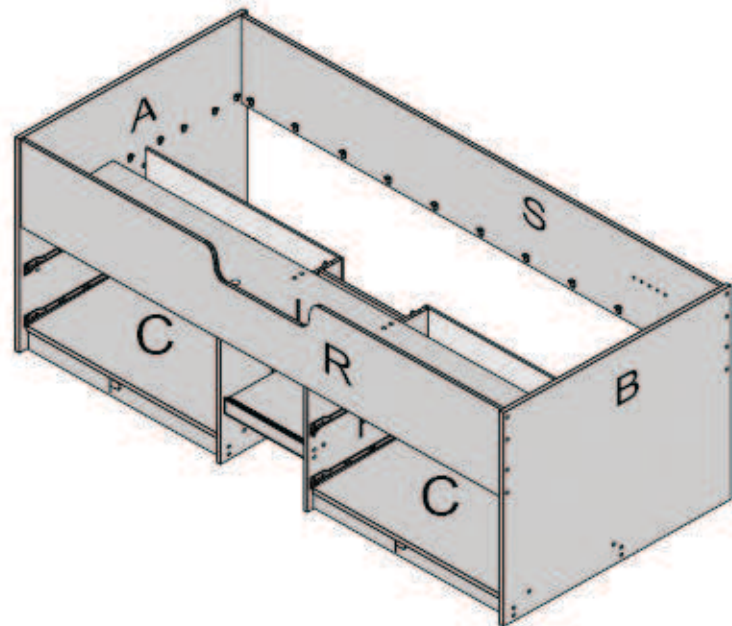
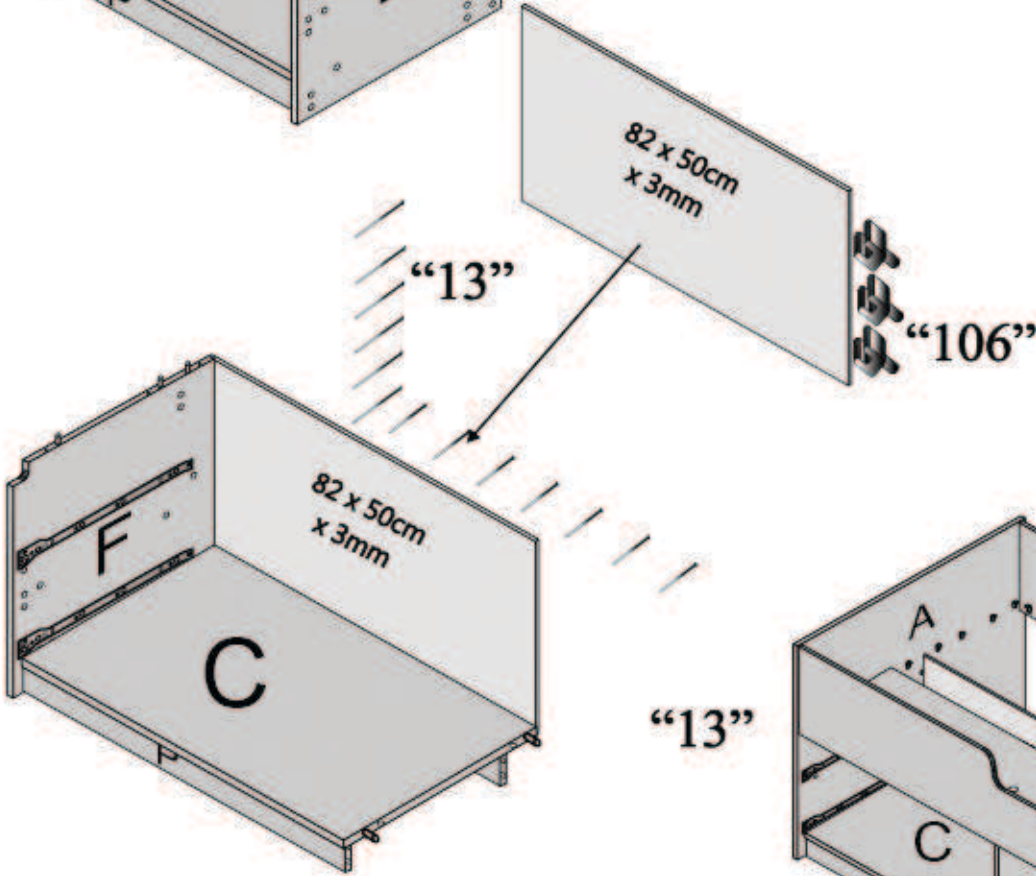
You will have  
drawer runners  
fixed to either  
A and E or B and  
F, but this step is  
the same for Left  
and Right handed  
assembly.





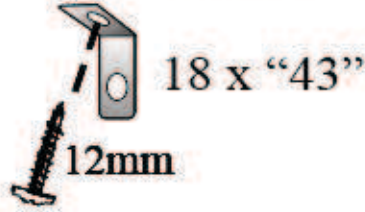
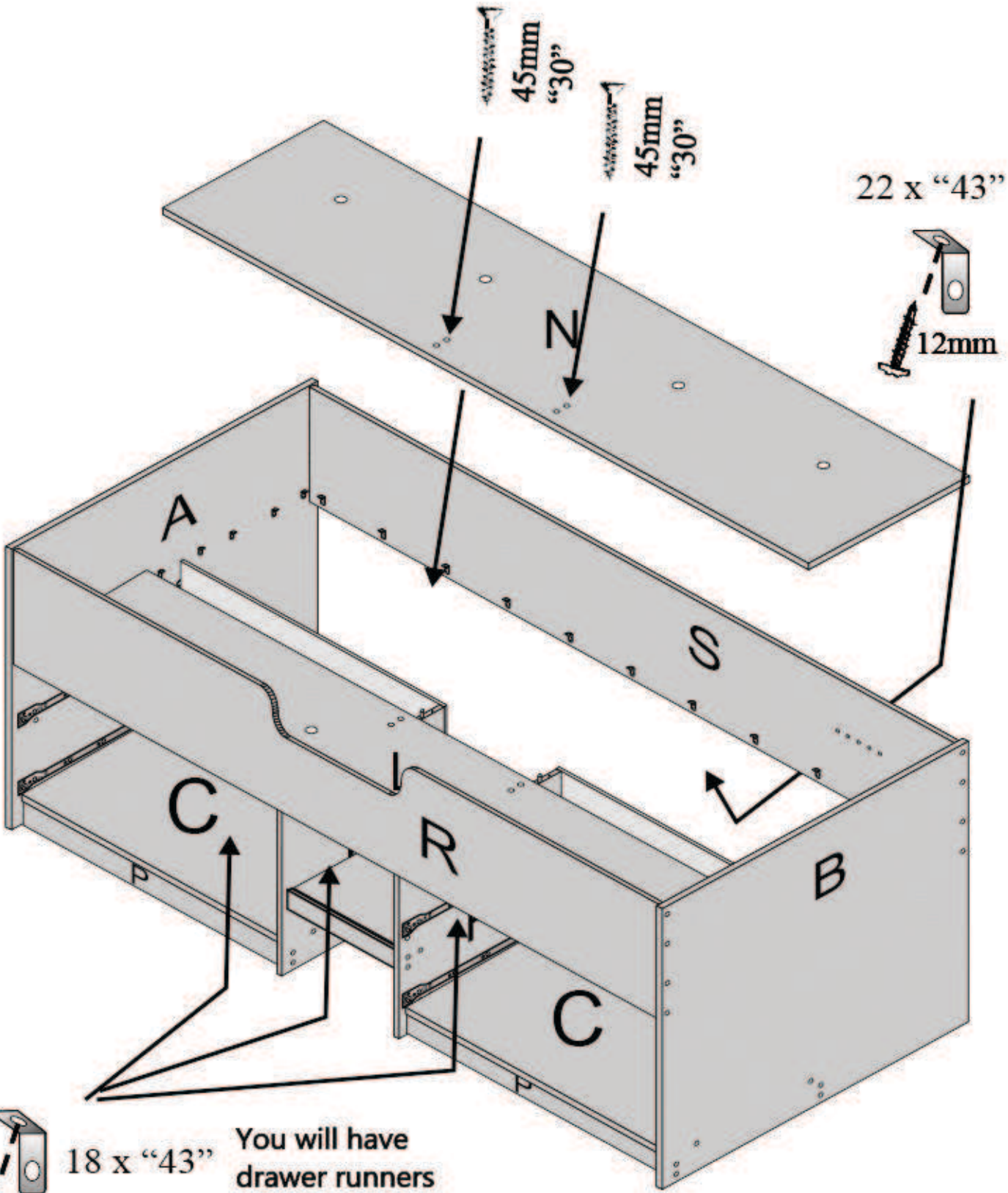


Nail  
Clou  
Spijker  
Nagel  
Sprik

You will have  
drawer runners  
fixed to either  
A and E or B and  
F, but this step is  
the same for Left  
and Right handed  
assembly.






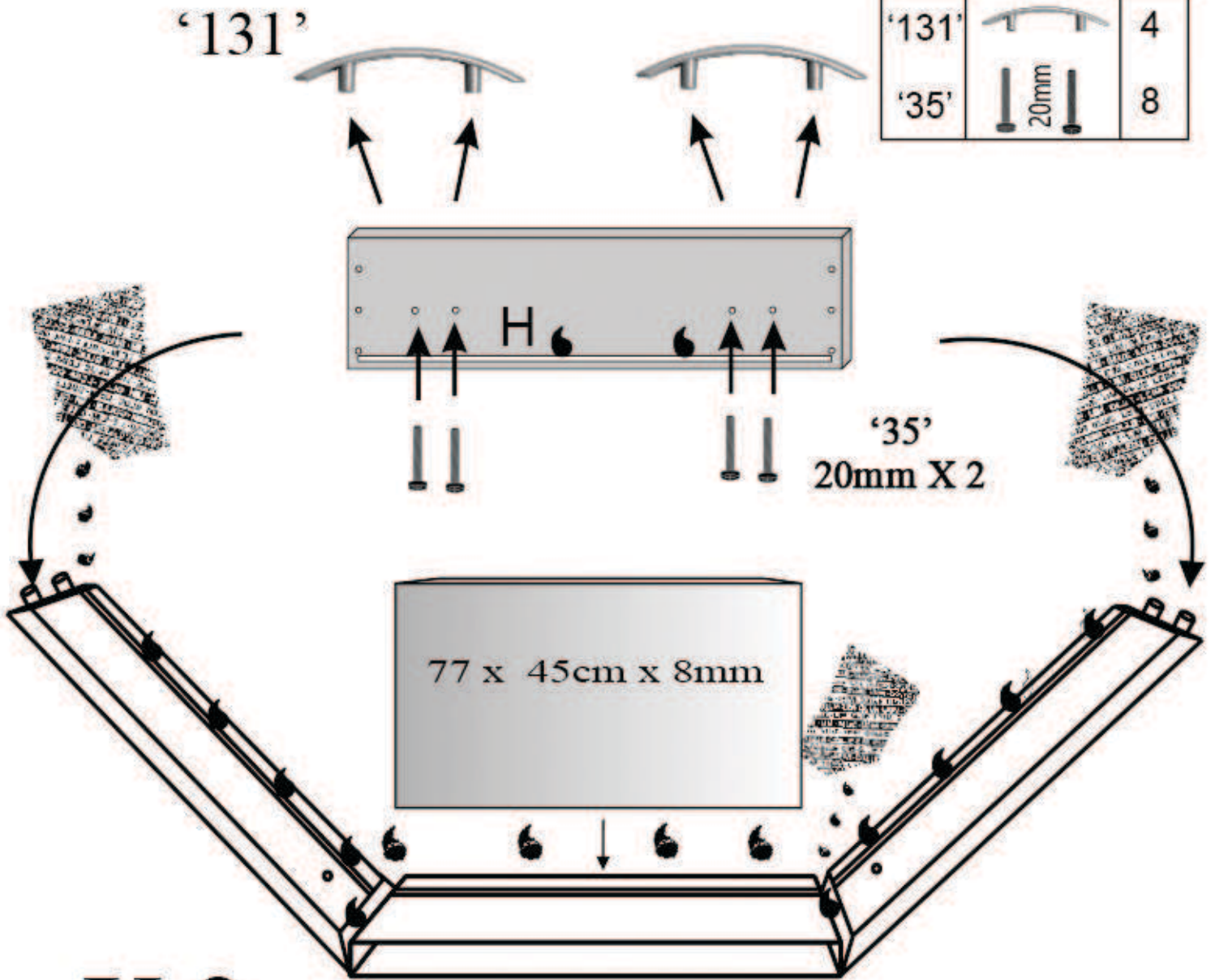
 45mm 2 x "30"	 12mm 40 x "43"
---	--



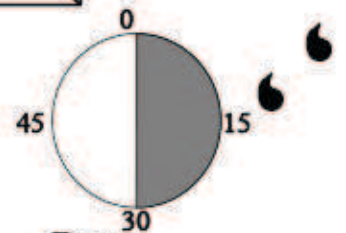
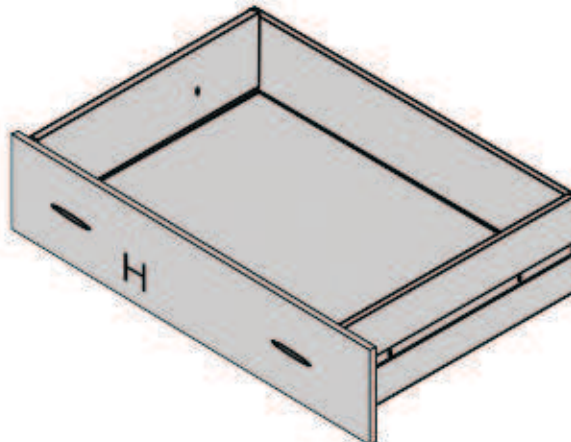
You will have drawer runners fixed to either A and E or B and F, but this step is the same for Left and Right handed assembly.



'219'		2
'131'		4
'35'	 20mm 	8



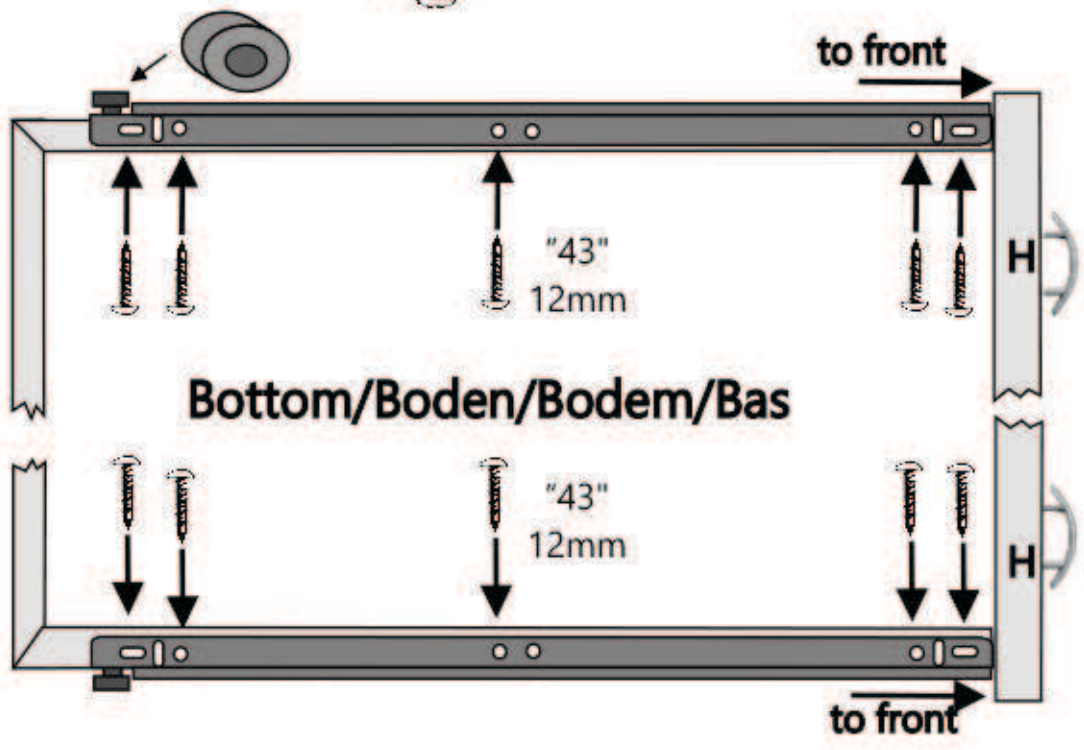
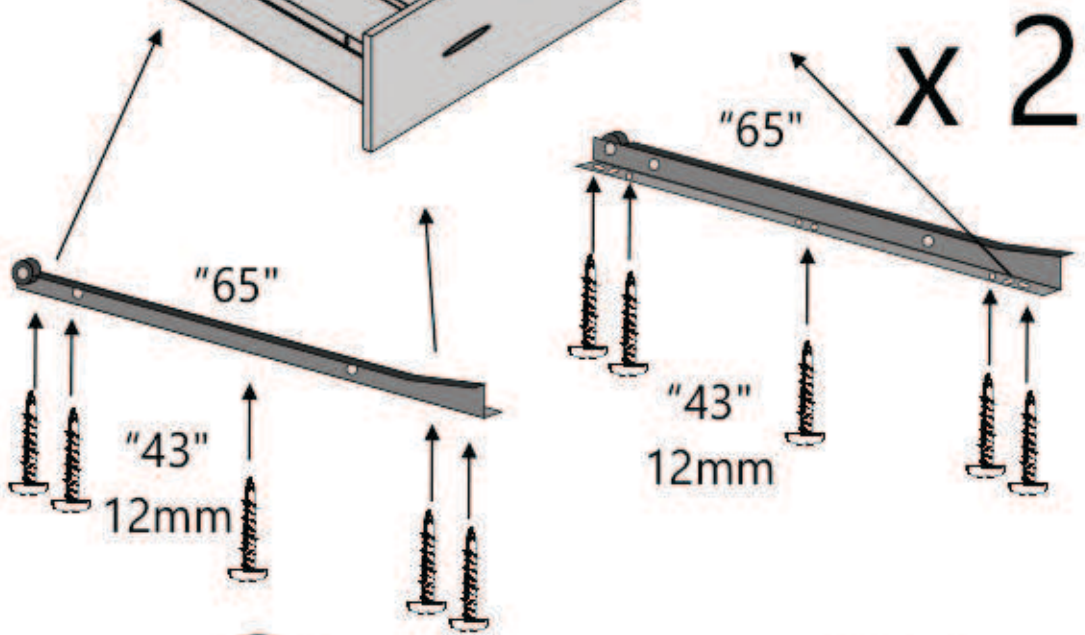
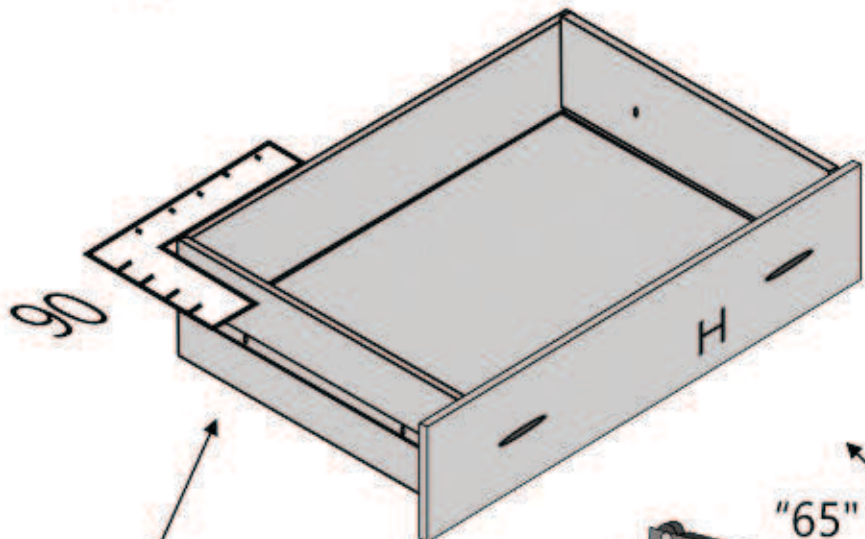
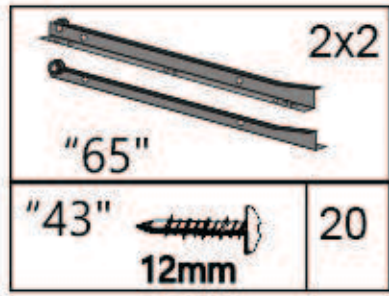
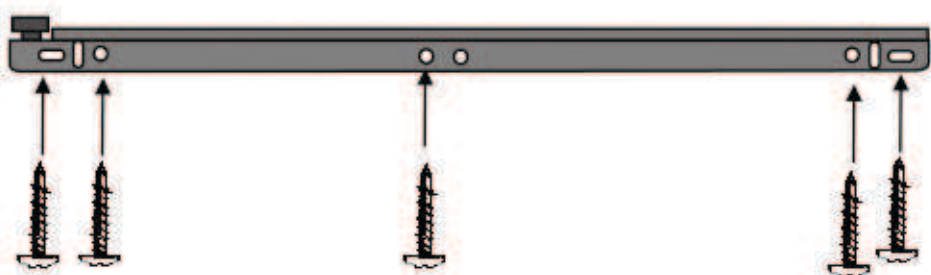
X 2

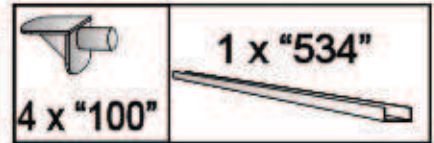
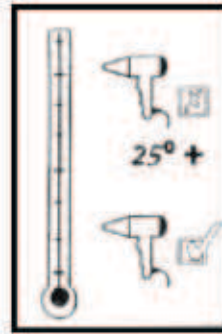
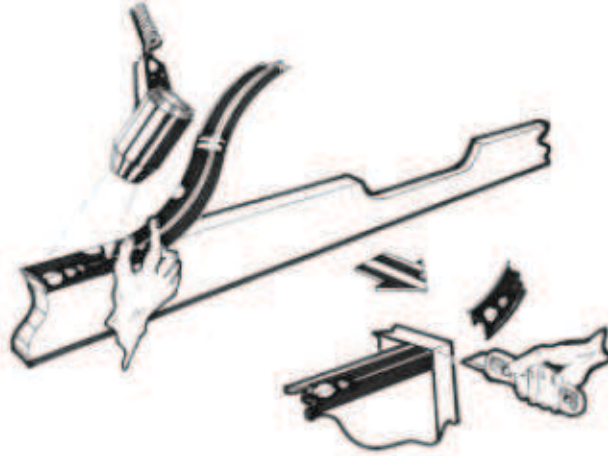


Dry  
Droog  
Trocknen  
Secher

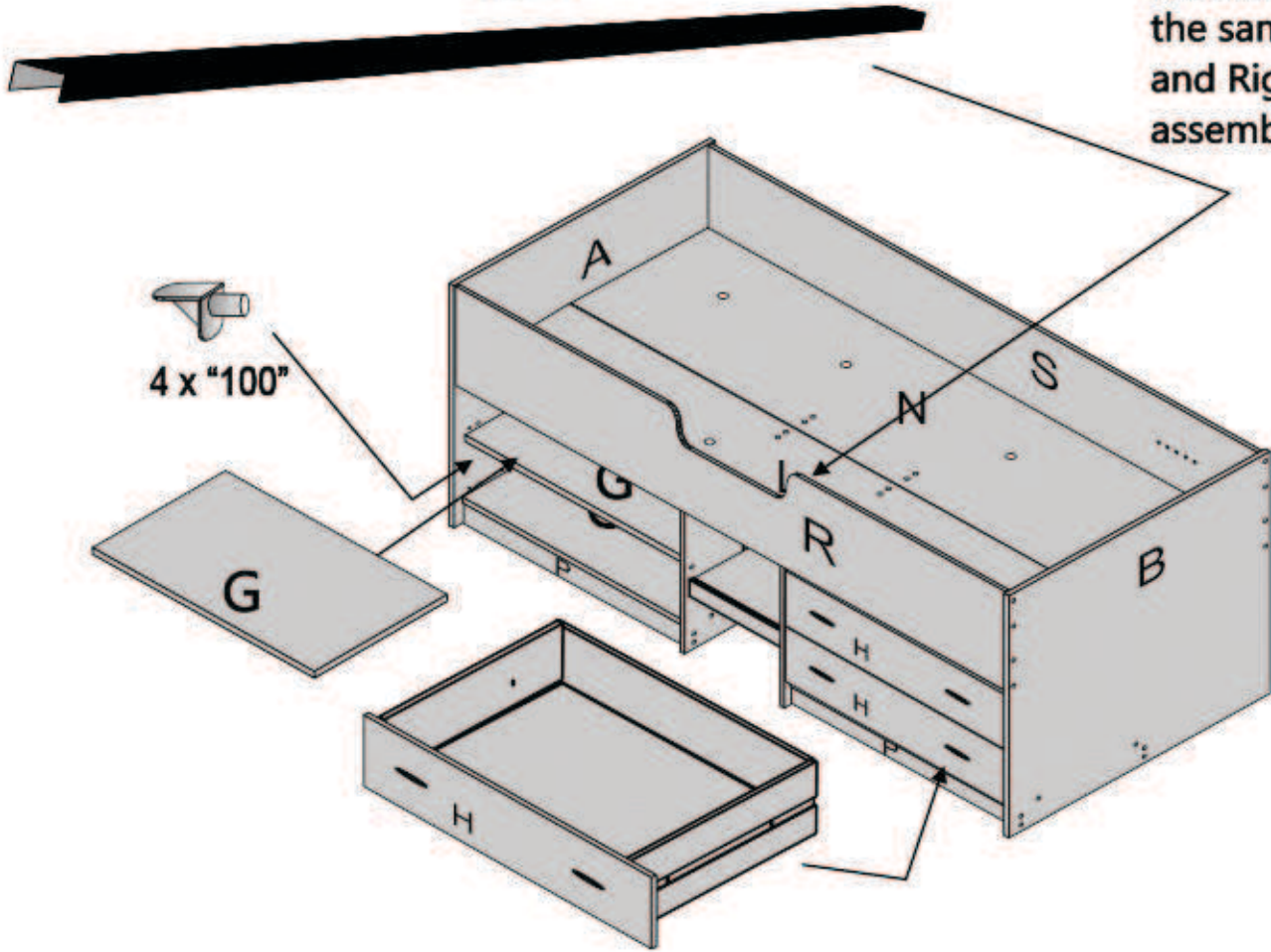


Tinwell  
Step 15  
Left and  
Right





You will have drawer runners fixed to either A and E or B and F, but this step is the same for Left and Right handed assembly.



- 1. **WARNING;** Do not use the bed if any structural part is broken or missing.
- 2. Always follow the manufacturers instructions to assemble the bed.
- 3. The recommended size of mattress for this bed is 200 x 90 x 15cm, for younger children as that keeps the safety rail at a maximum, but for older children and adults it can be thicker. The maximum suggested height for younger children is marked on the back panel of the bed.
- 4. Ventilation of the room is necessary in order to keep the humidity low and to prevent mould in and around the bed.
- 5. All assembly fastenings, including screws, should be regularly checked to ensure they are properly tightened.