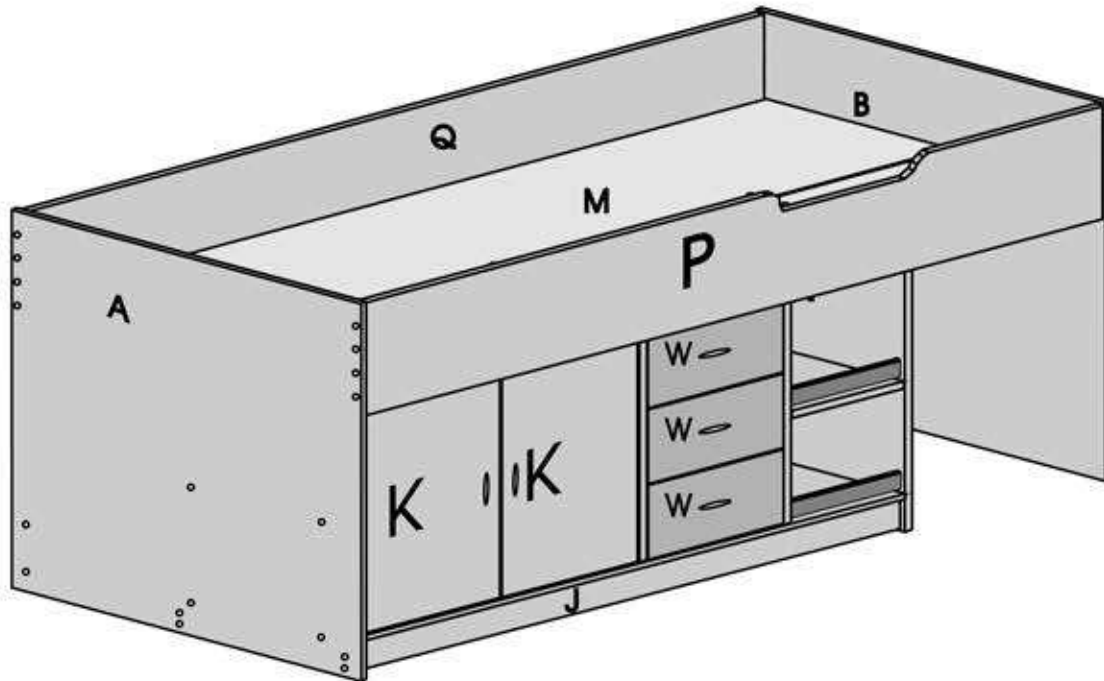
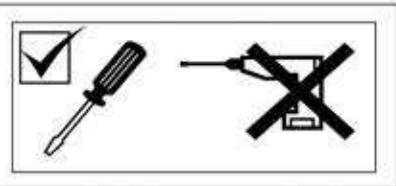
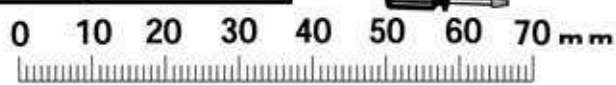
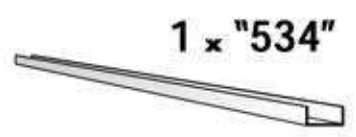
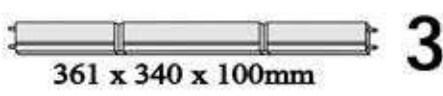
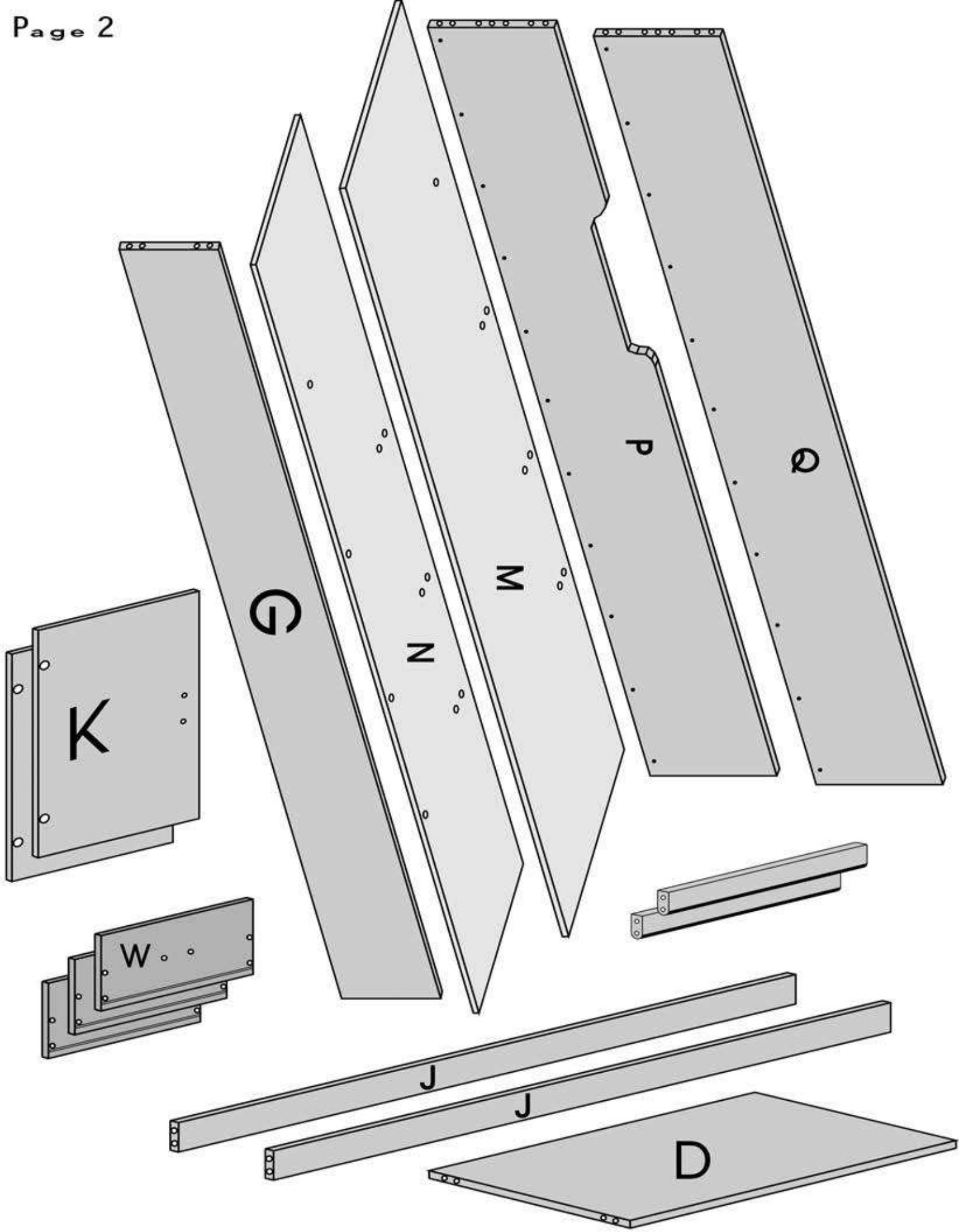


# Wolf Bed

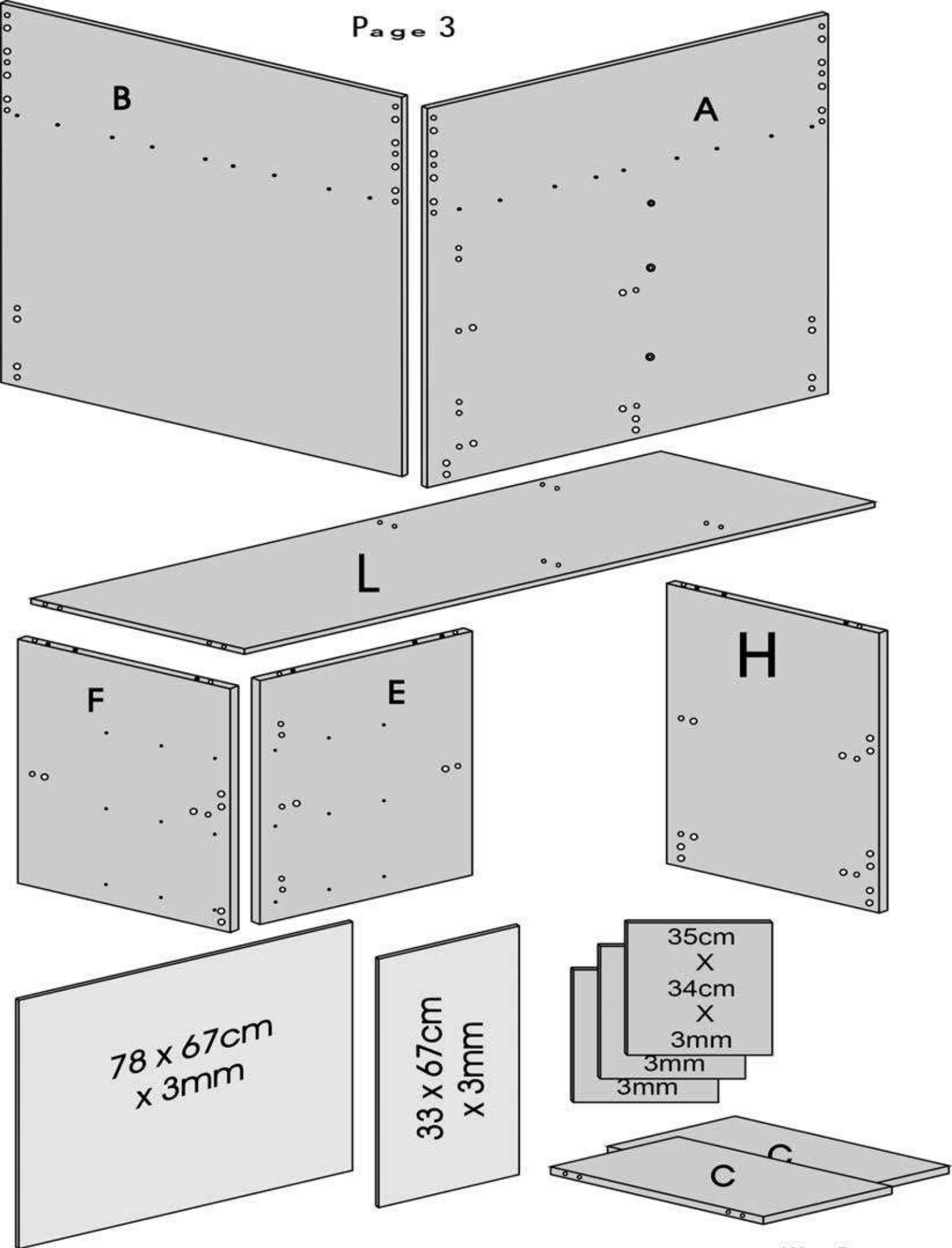


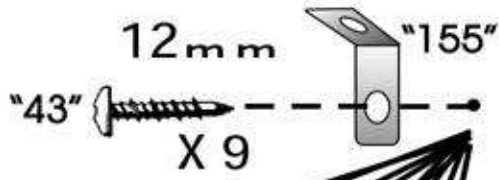
A — 1	13 45 mm x 30 mm	40 "155" DF 484	82 12 mm x 43 mm	30 "13" Pin	26 12 mm x 44 mm 12 x No.6.8029 mm, CSK	1 "25" 4 mm Pin tray	1 "999"
B — 1							
C — 1	38 "220" 38 mm end	40 "28" 50 mm Connet at	3 "106" 1 Cap Bed Support	2 "24" 25 x 6 mm Bed	6 "6" 10 mm x 6 mm	2 "14" 6 mm Lockout	5 "131" Hole for side Cover
D — 1							
E — 1							
F — 1	51mm '18' 4 M6 x 51 mm Woodless Screw	4 '23' Base Rail	2 '111' Base Rail	3 "219" Cush	1 "165" F-62 hole	6 "61" Hole for side Cover	
G — 1							
H — 1							
J — 2	W — 3						
K — 2							
L — 1							
M — 1	1 x 78 x 67 cm x 3 mm						
N — 1	3 x 35 x 34 cm x 3 mm						
P — 1	1 x 33 x 67 cm x 3 mm						
Q — 1							



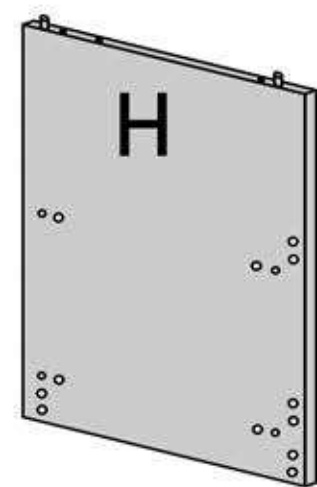
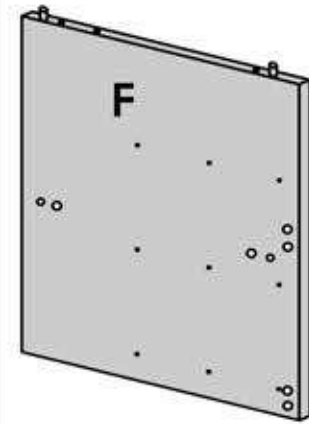
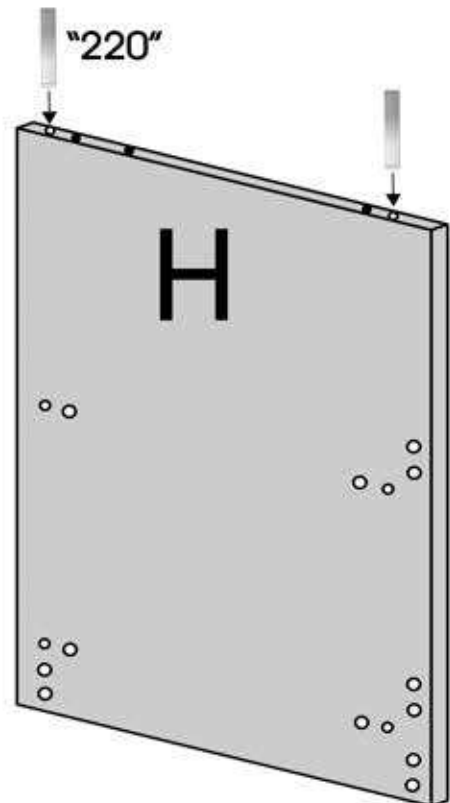
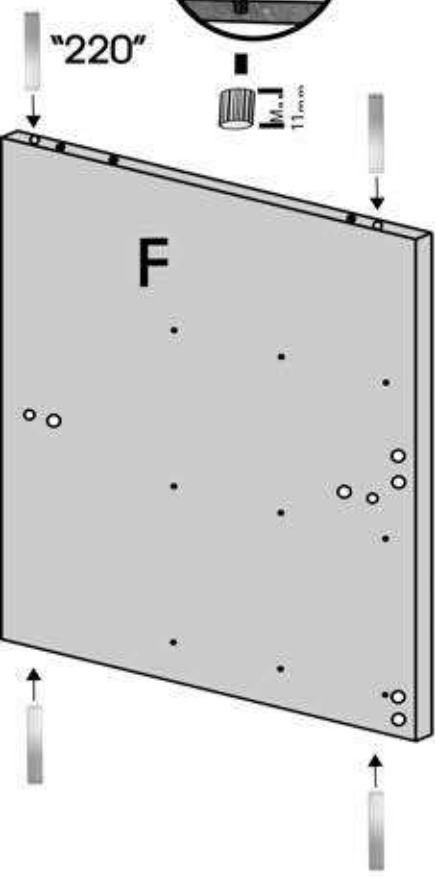
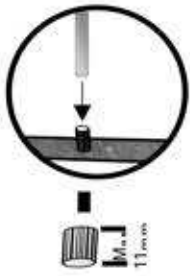
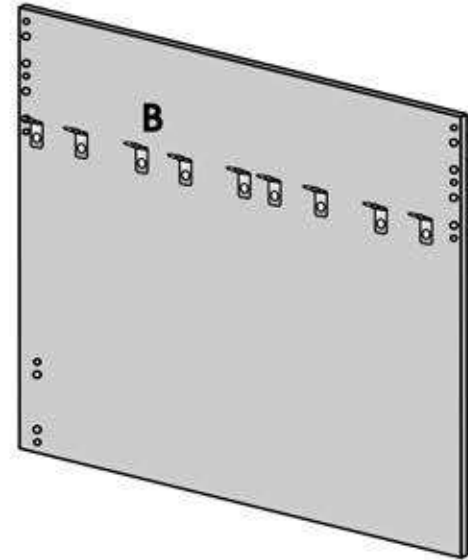
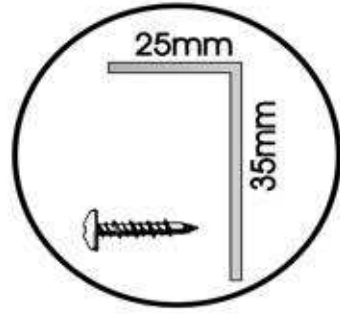
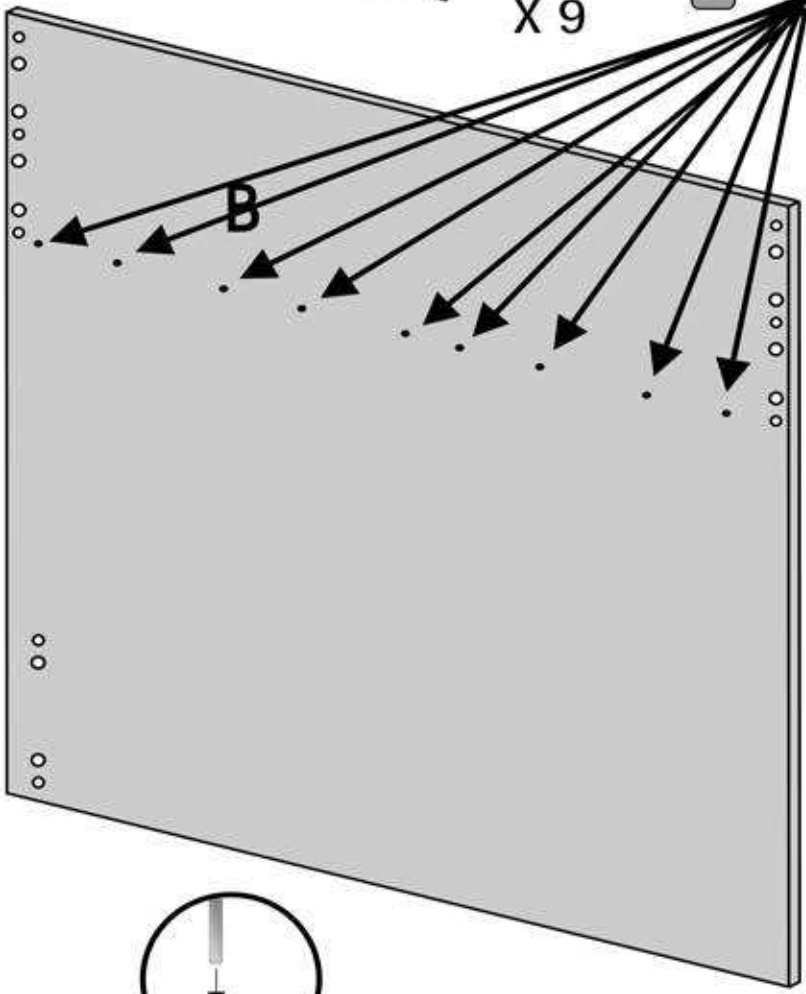


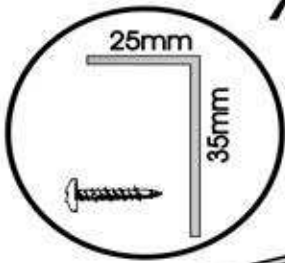
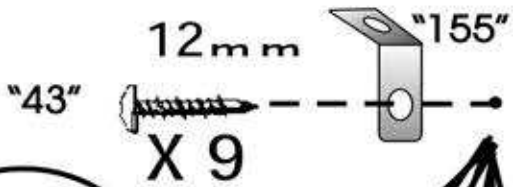
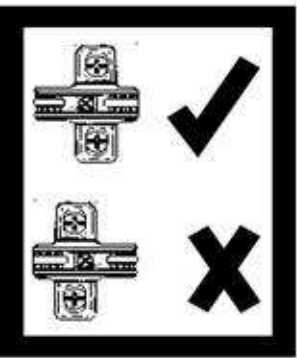
Weir Bed



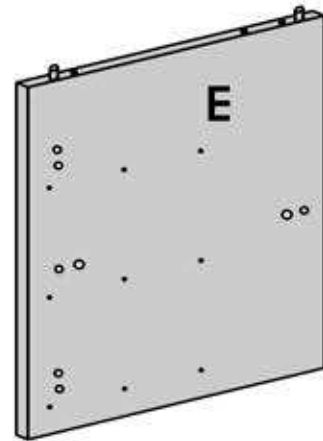
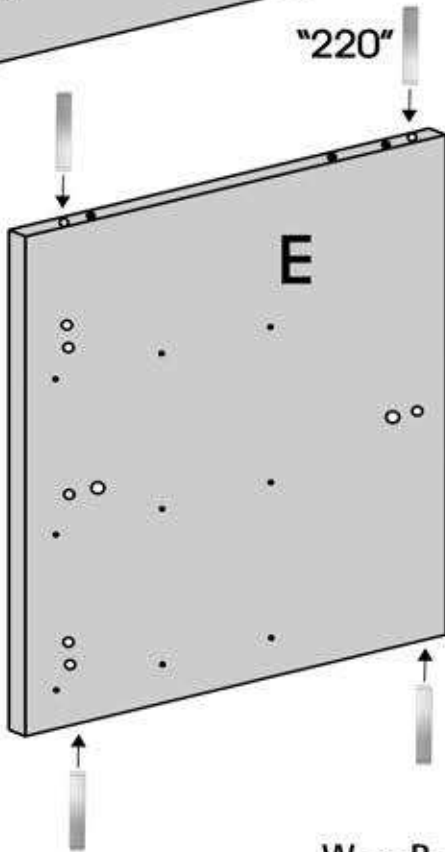
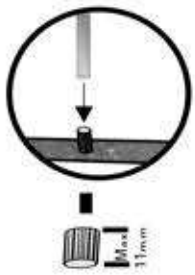
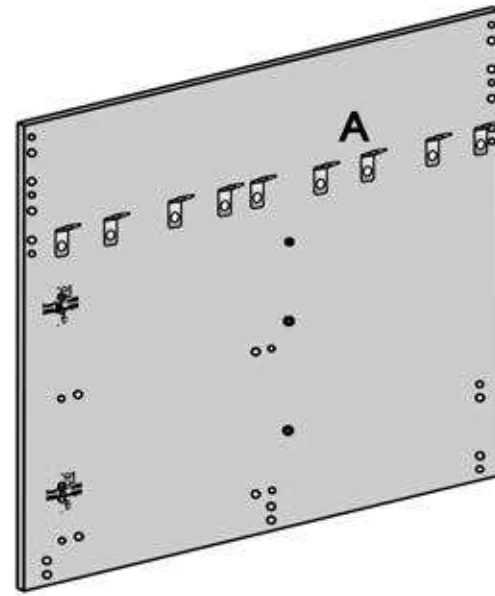
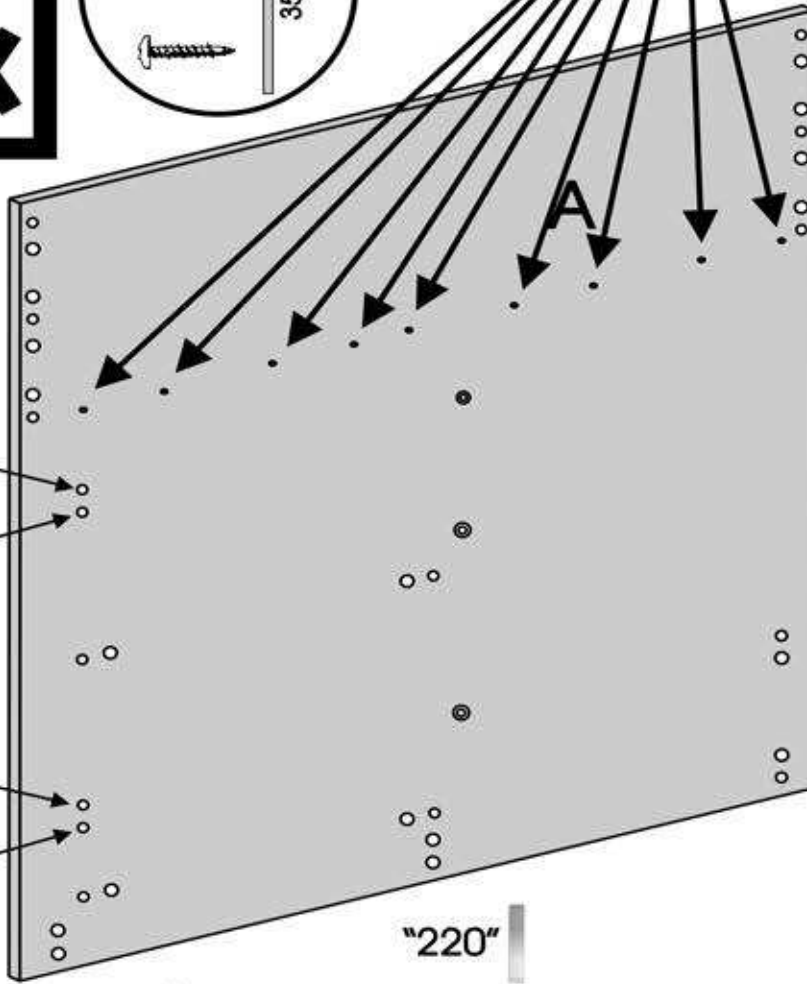
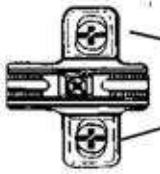




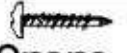
'220'		6
'145'		9
'43'		9

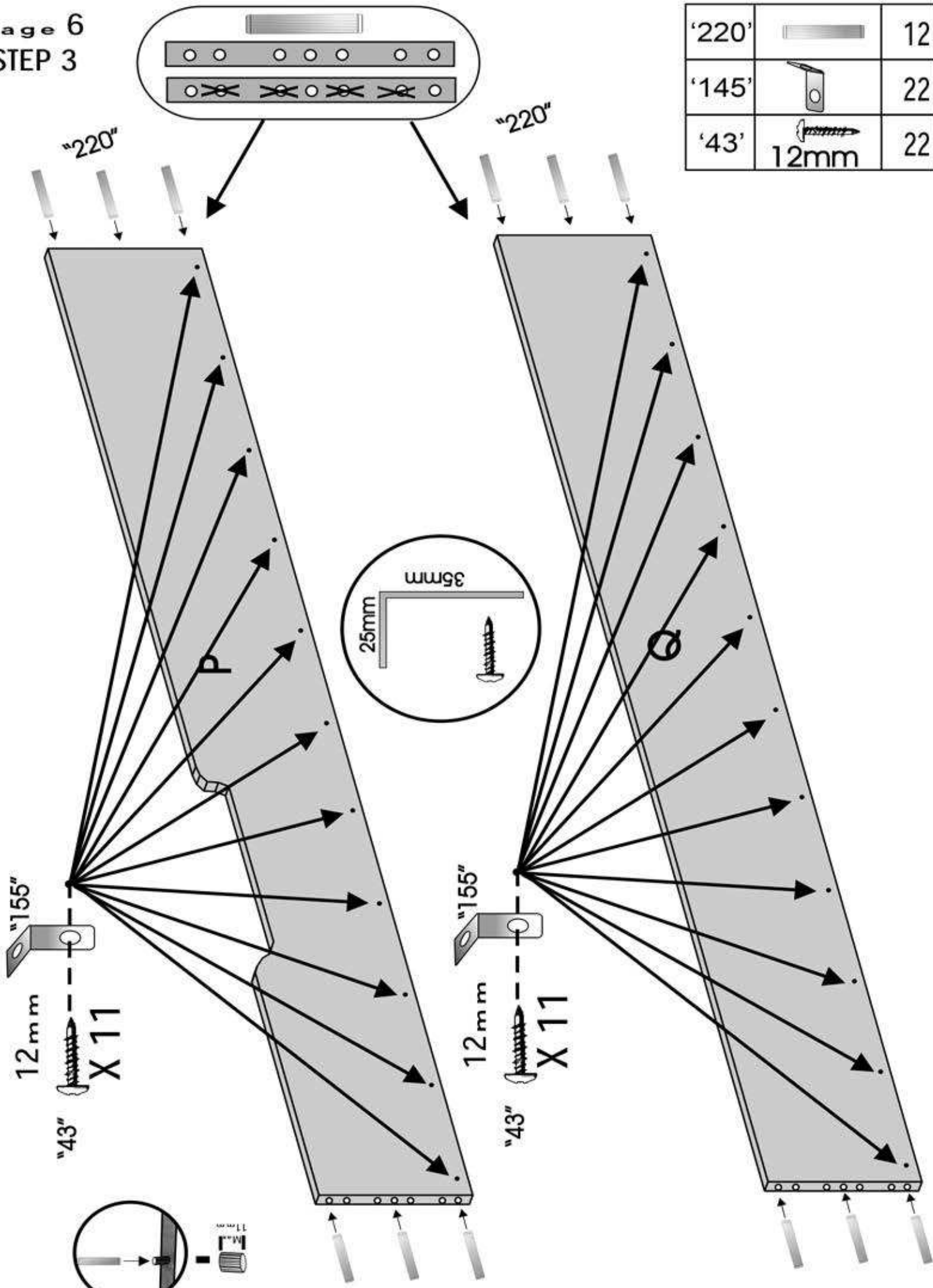




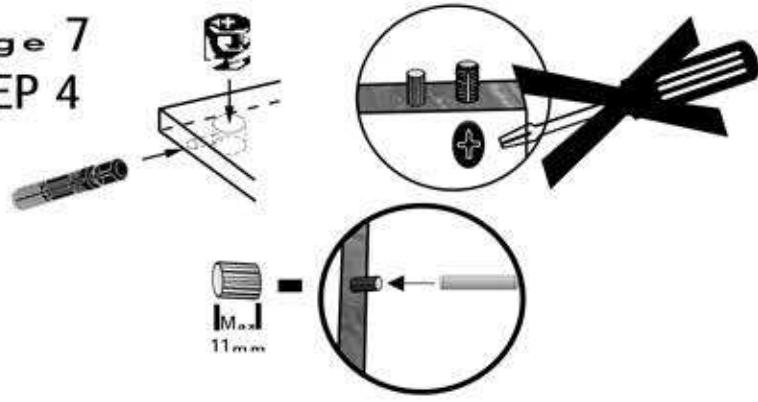
'220'		4
'145'		9
'43'		9
'206'		2



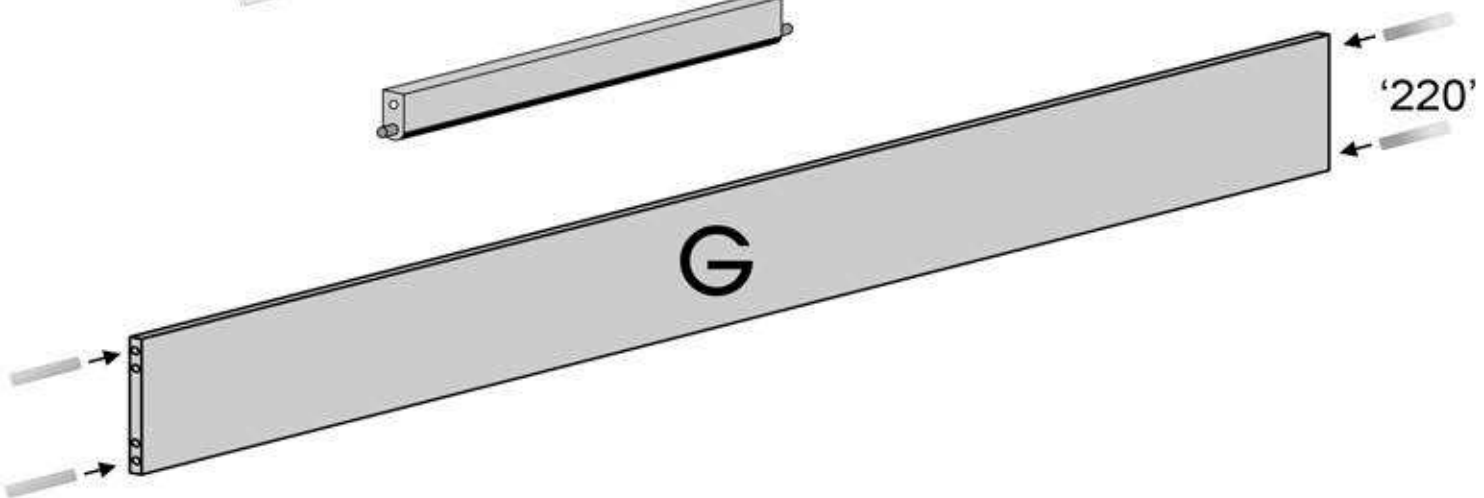
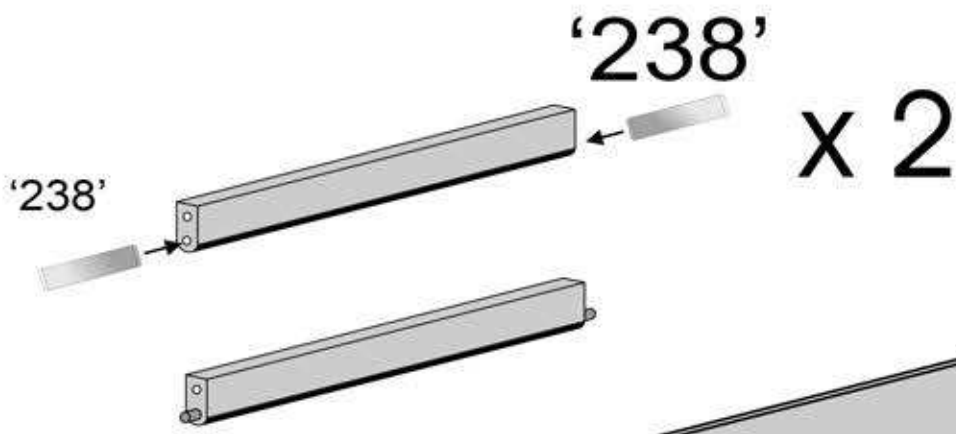
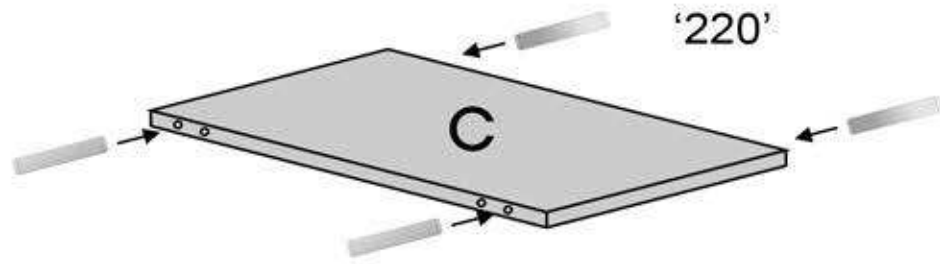
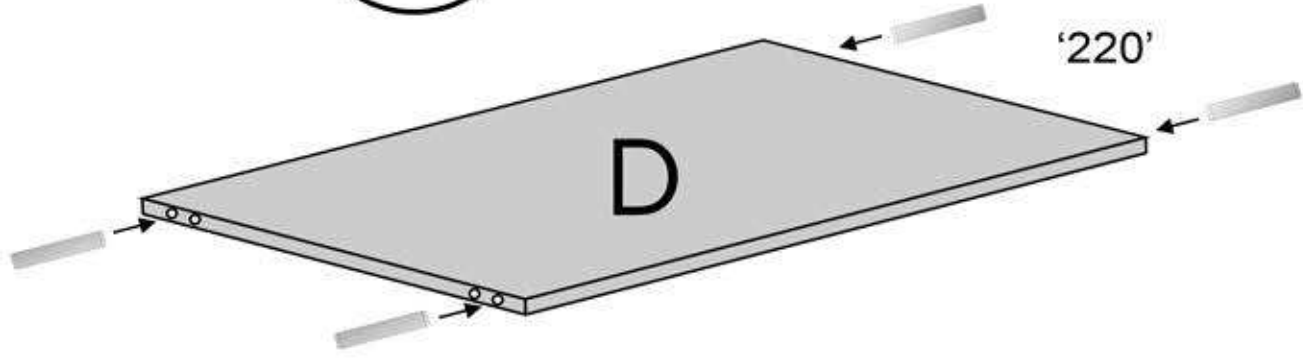
'220'		12
'145'		22
'43'	 12mm	22



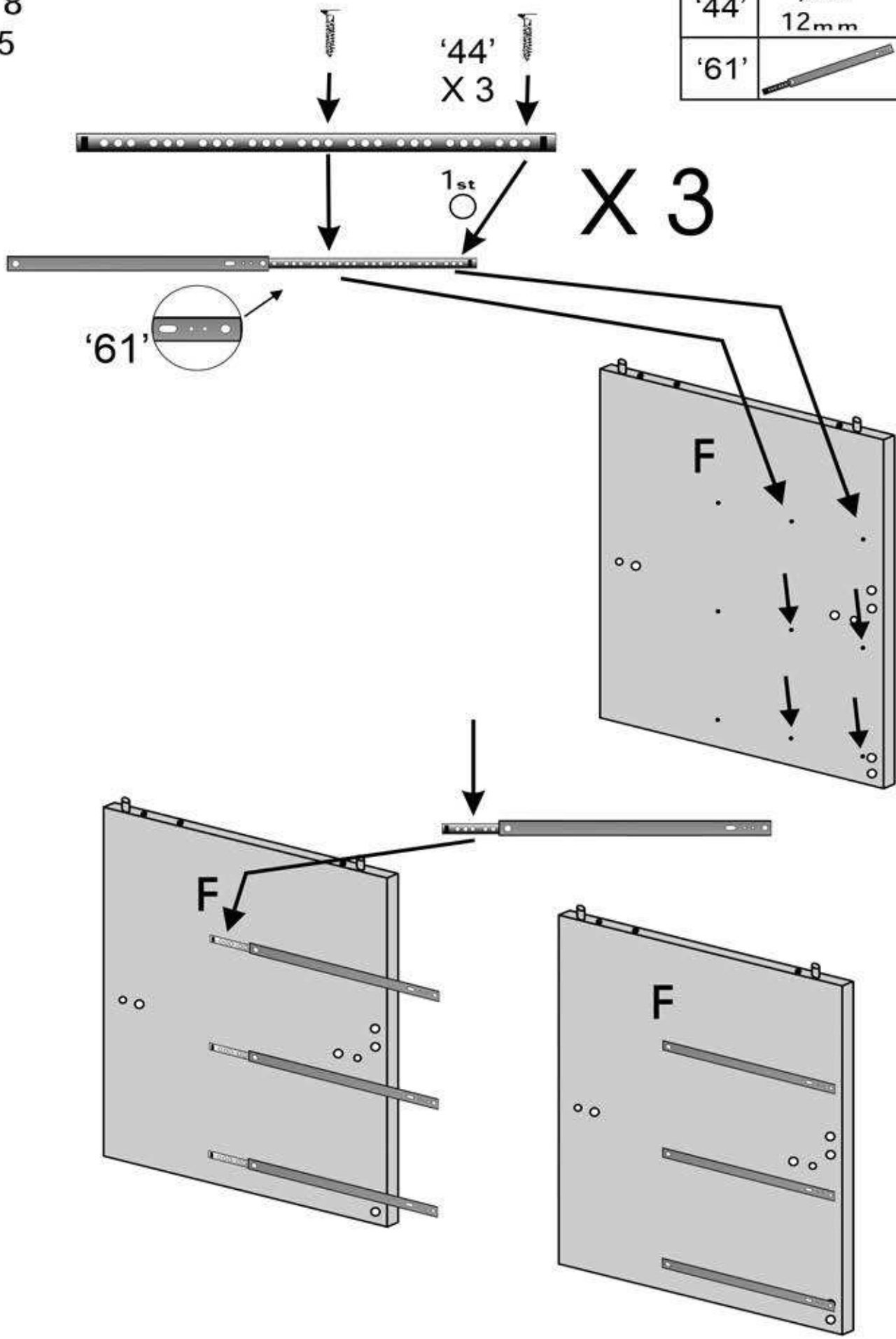
Woir Bed



'220'		12
'238'		4




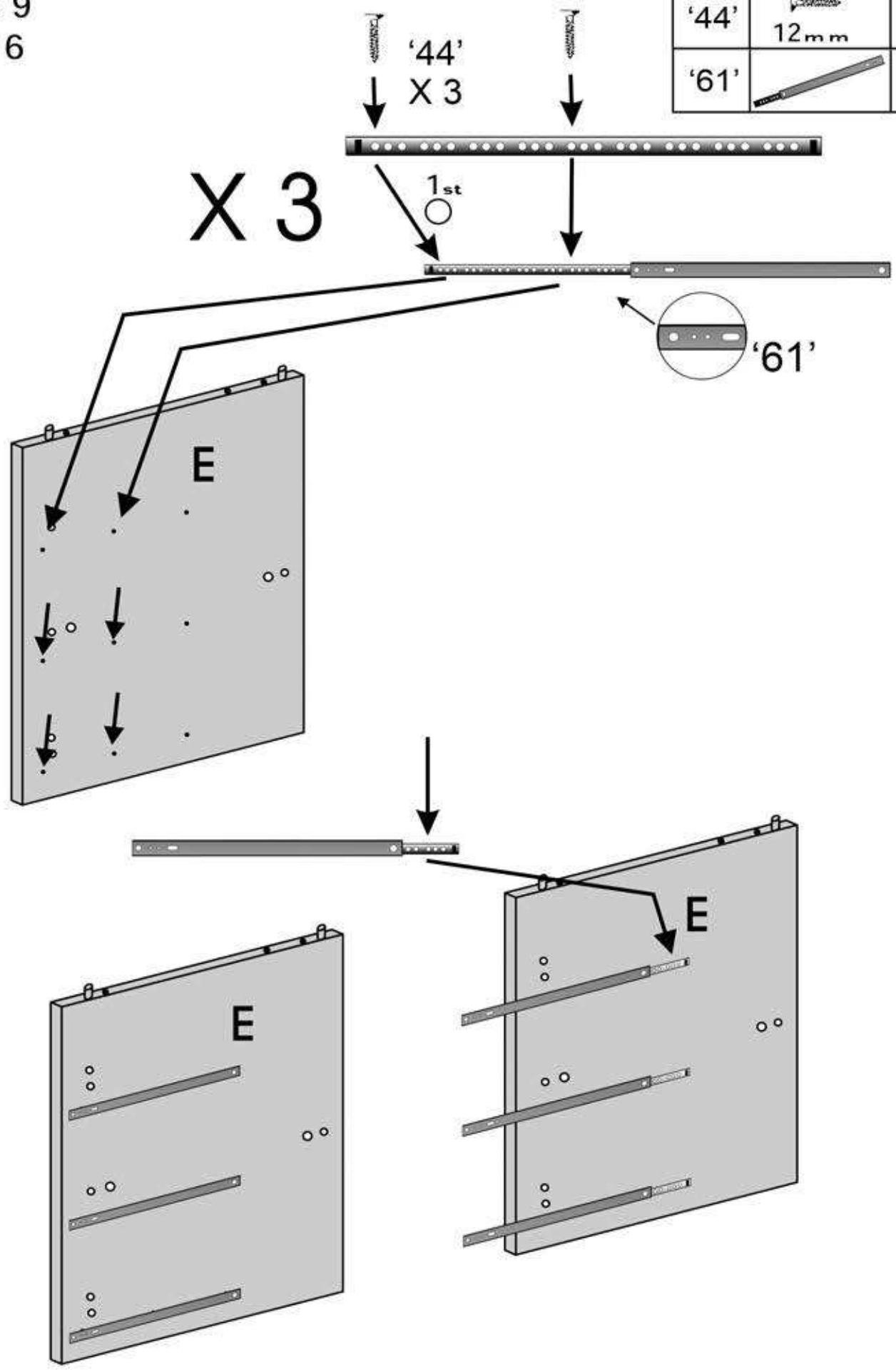
'44'	12mm	9
'61'		3





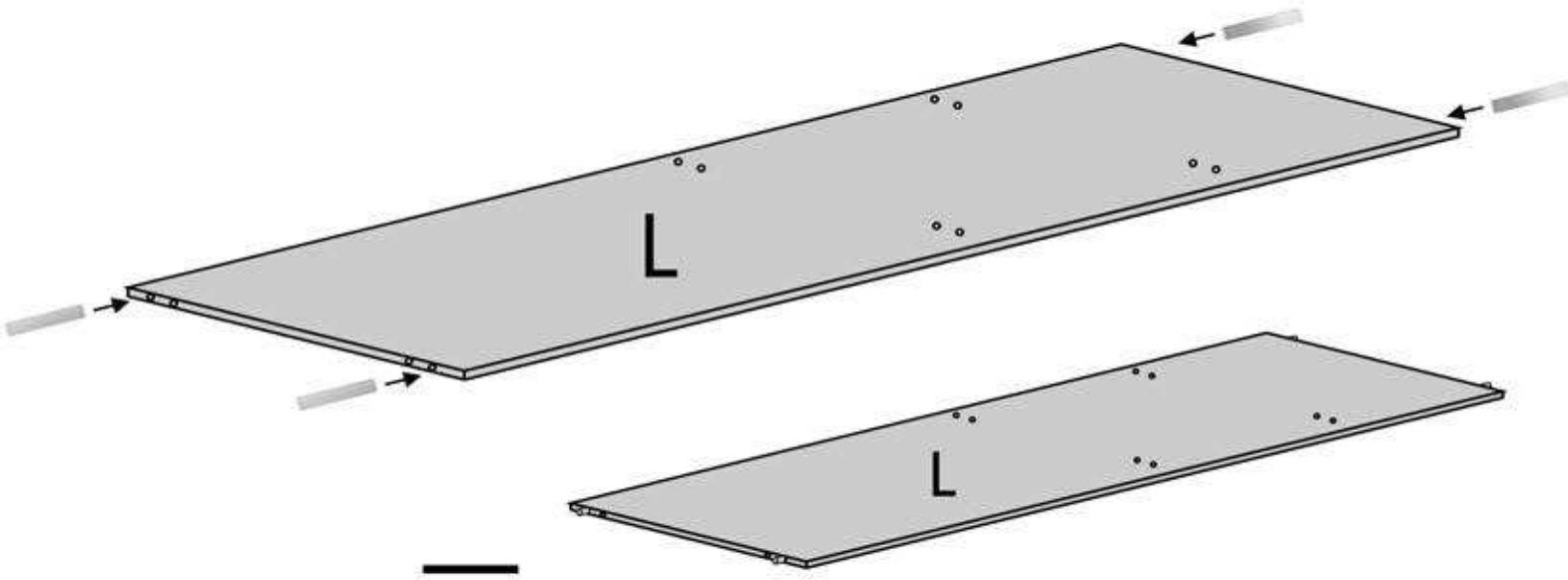
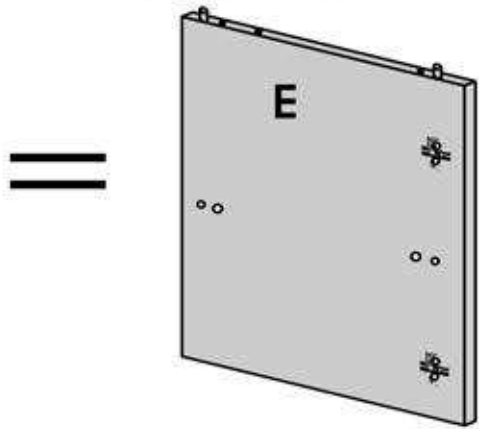
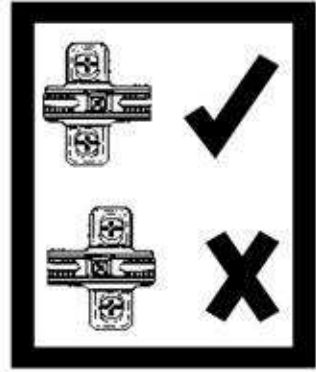
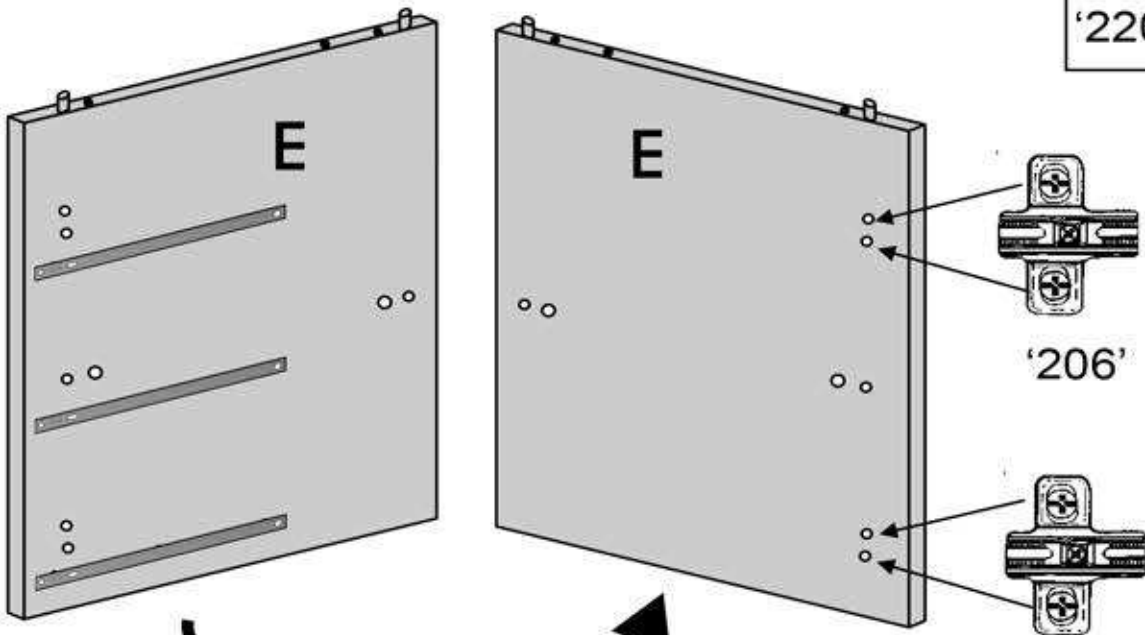
Weir Bed



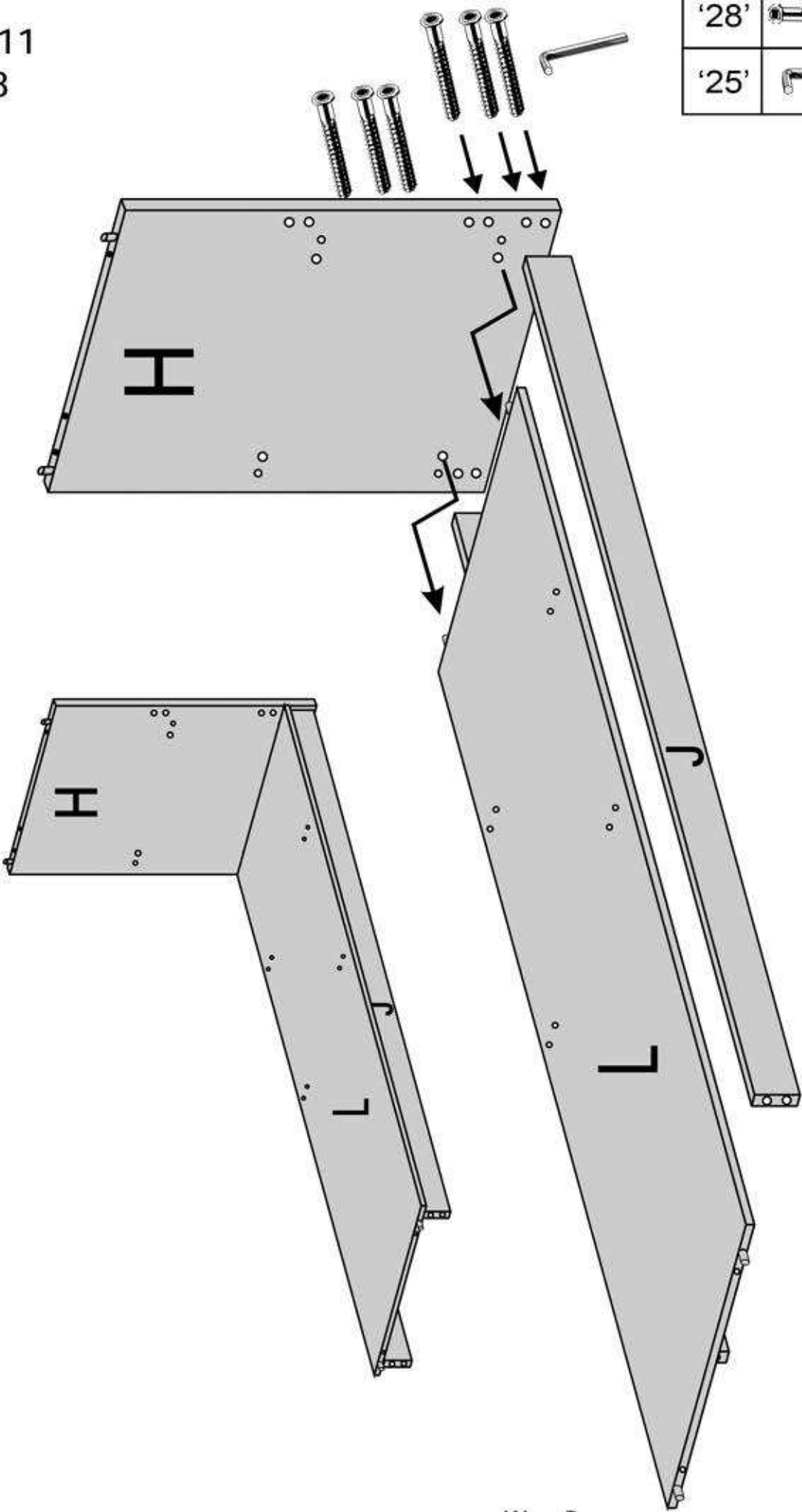
'44'	12mm	9
'61'		3


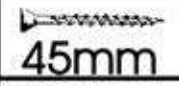




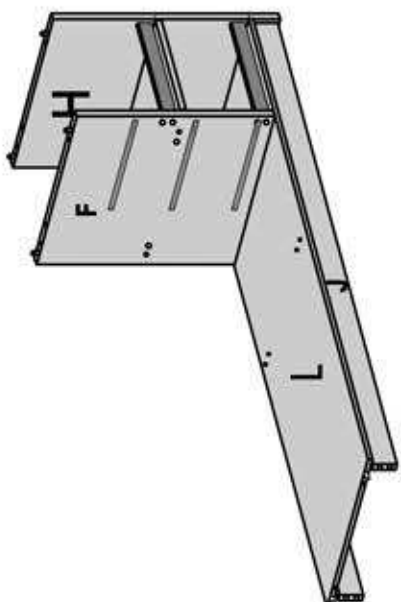
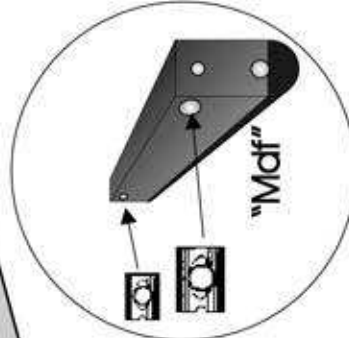
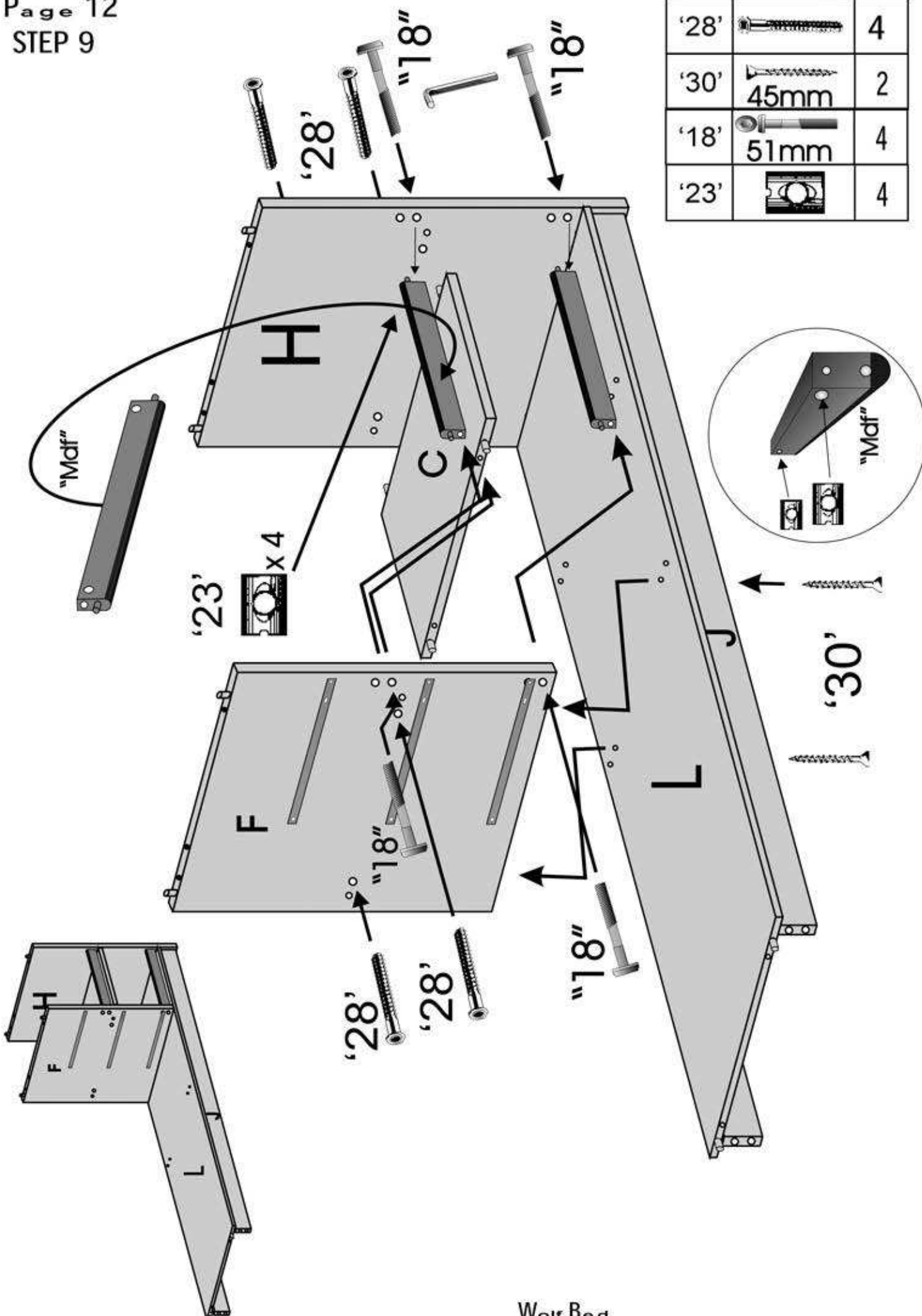
'206'		2
'220'		4



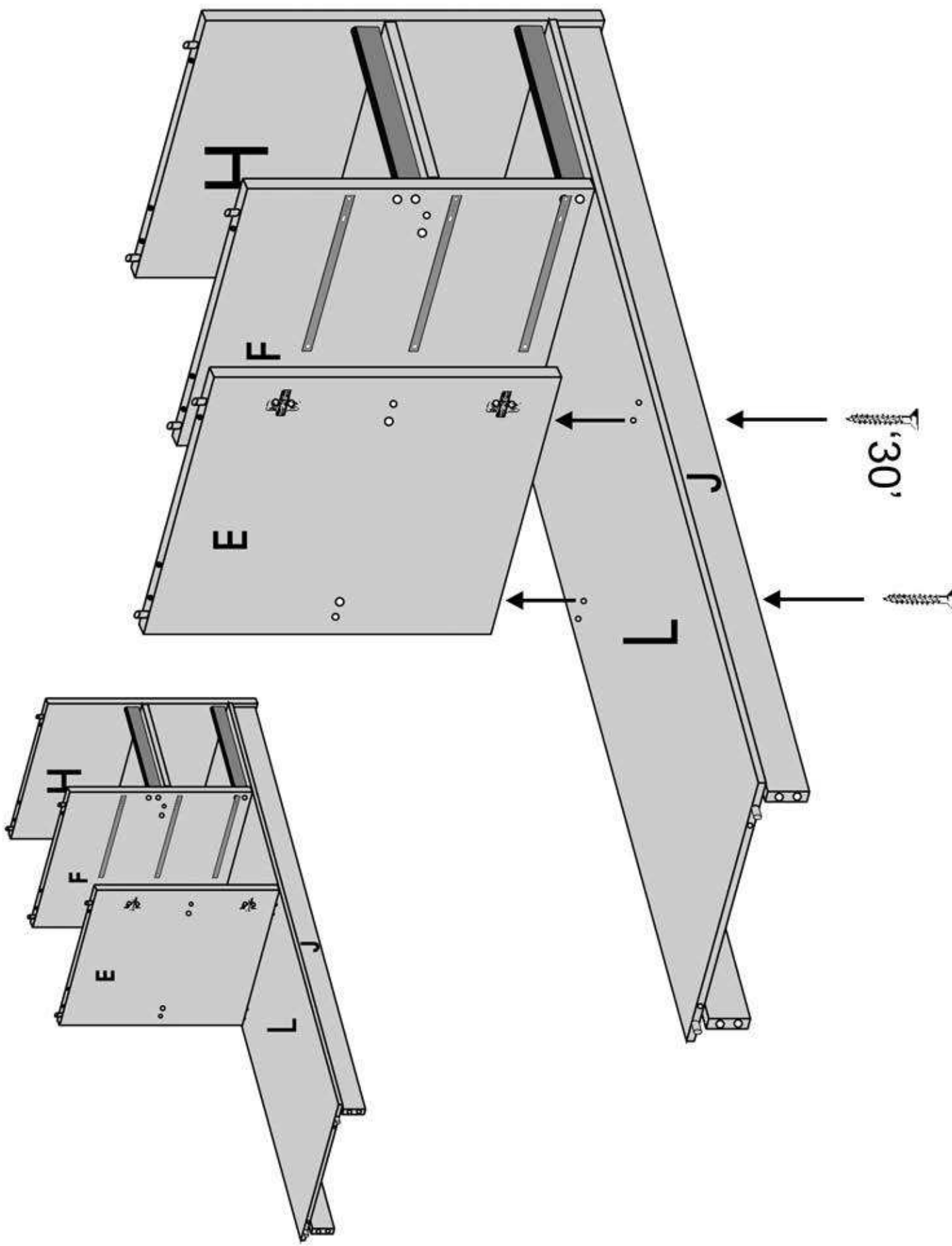
'28'		6
'25'		1

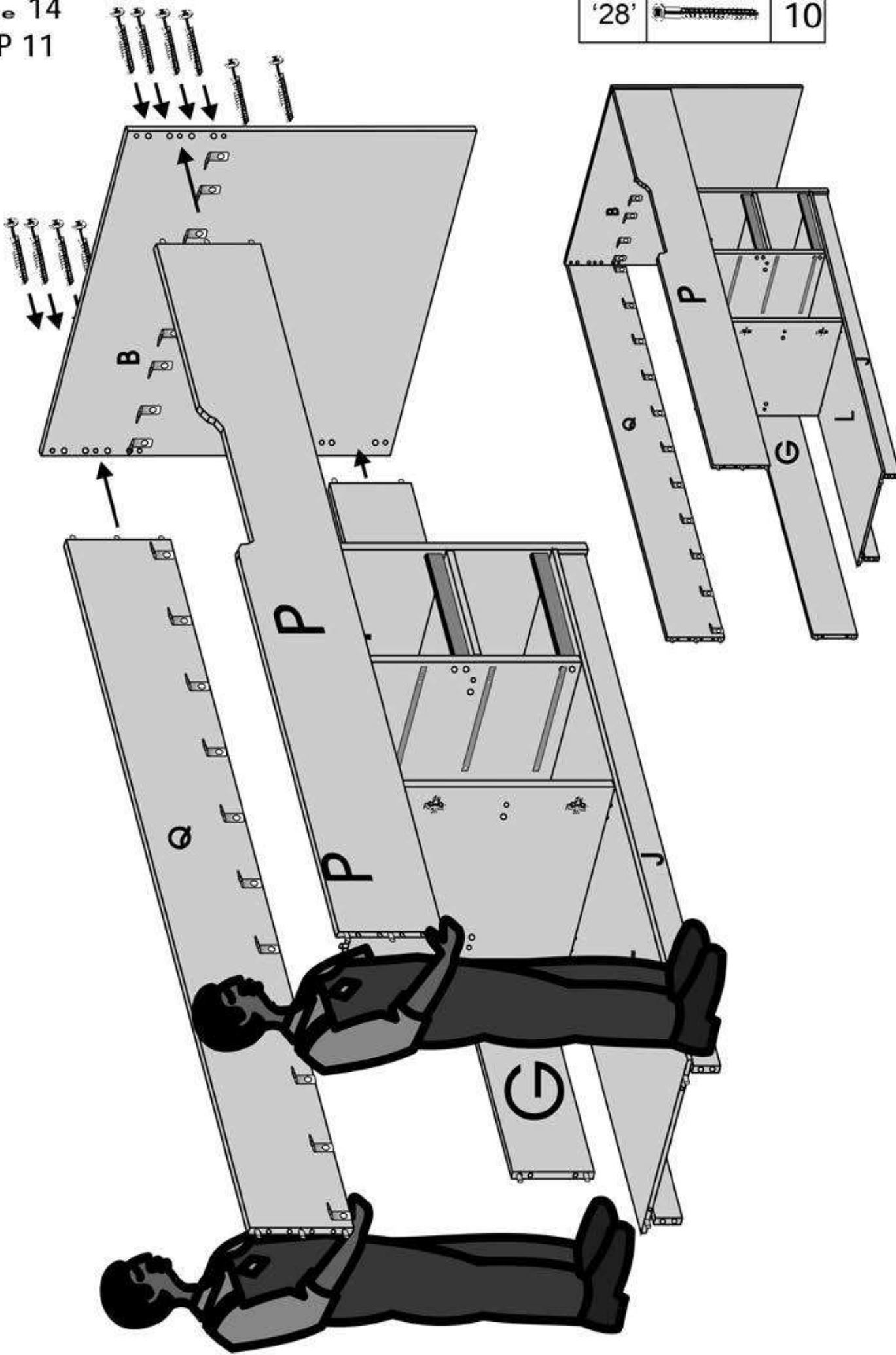


'28'		4
'30'	 45mm	2
'18'	 51mm	4
'23'		4


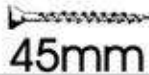


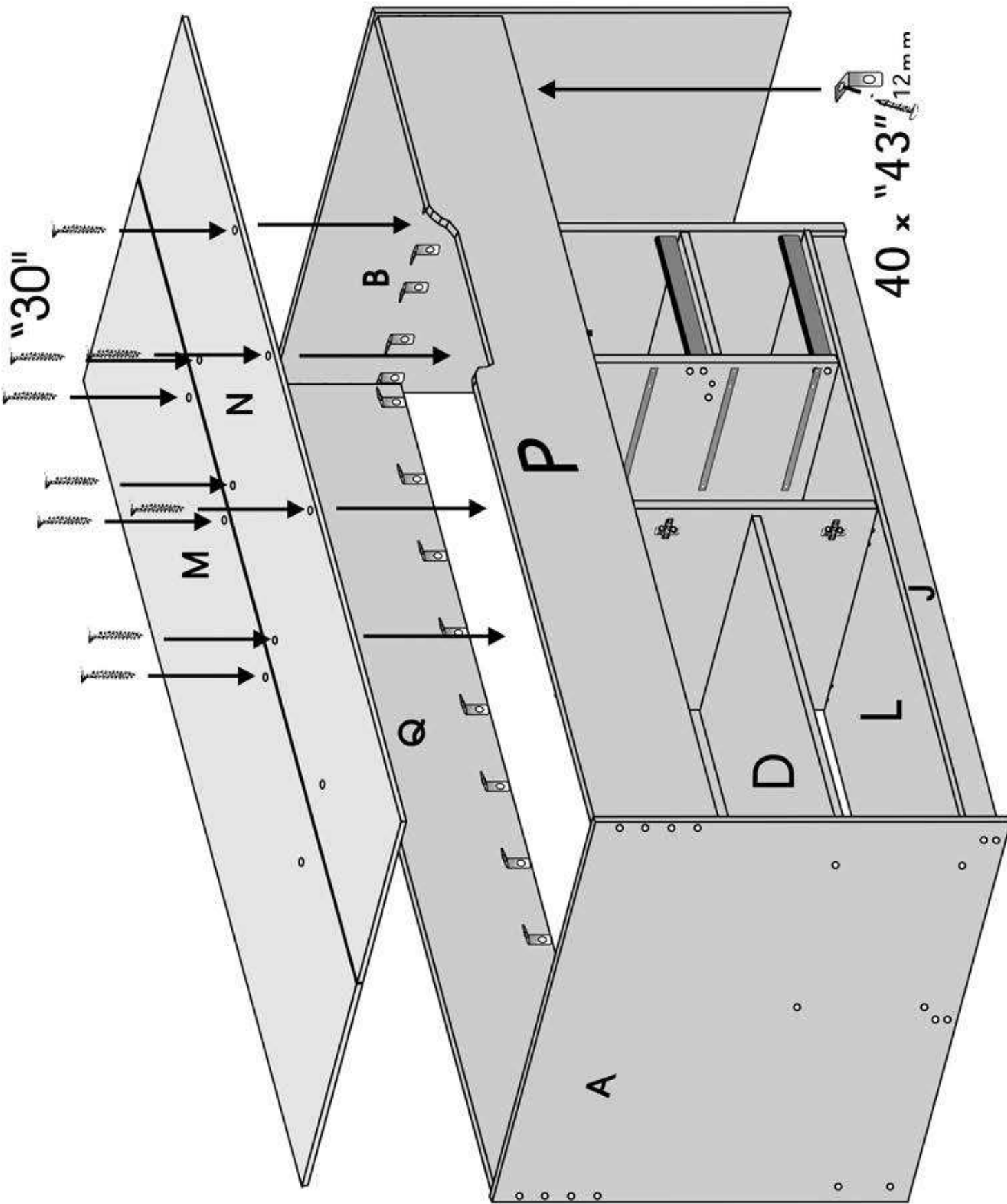
'30'	 45mm	2
------	--	---









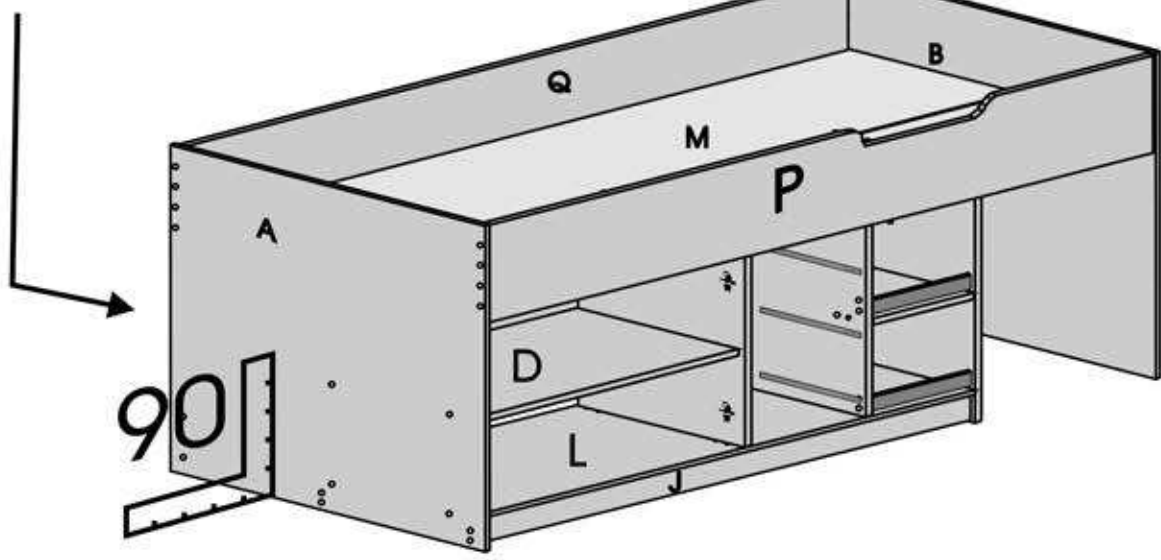
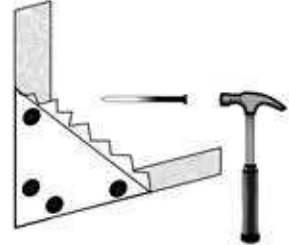
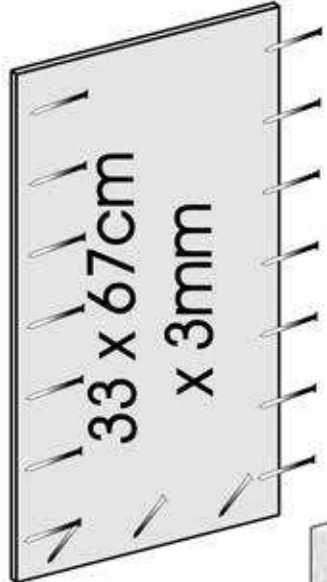
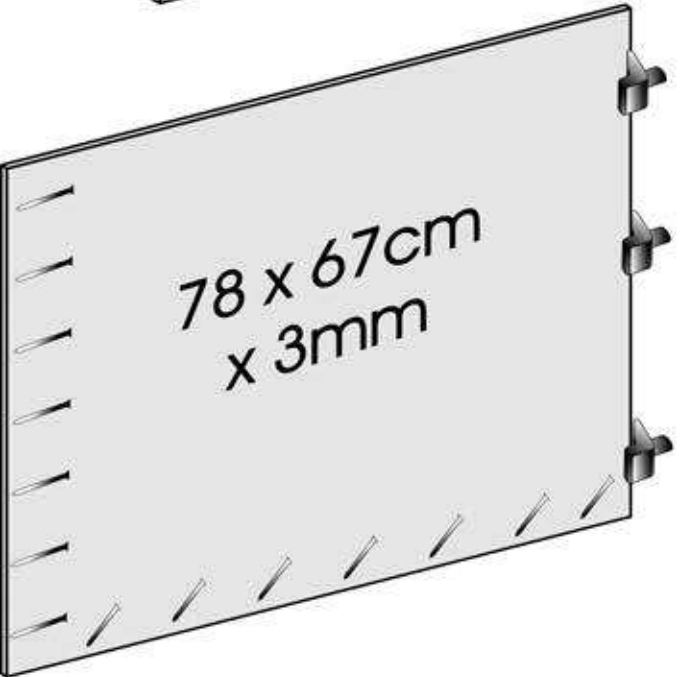
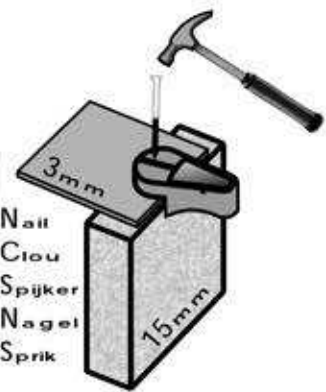
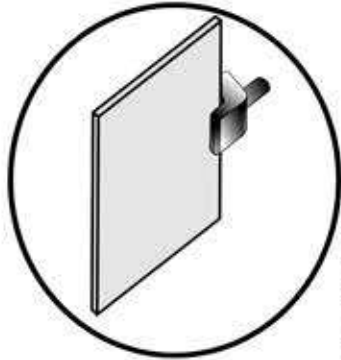
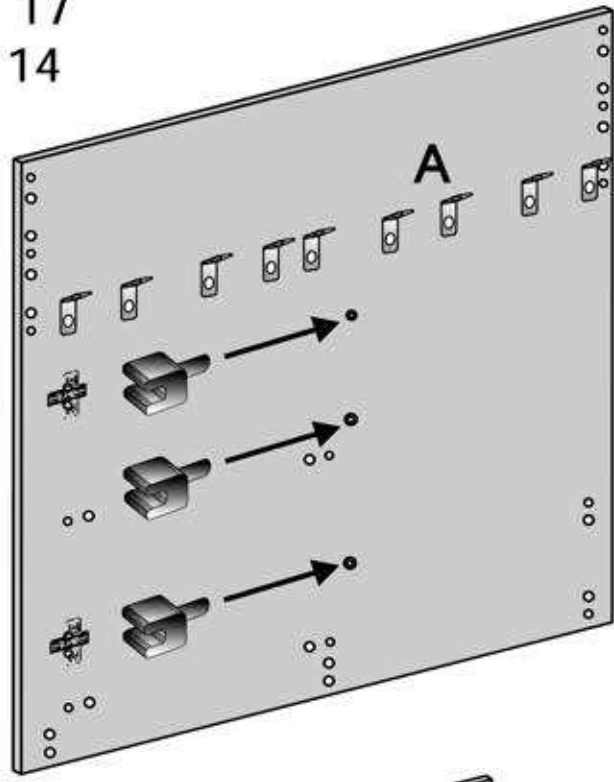
'43'		40
'30'		9








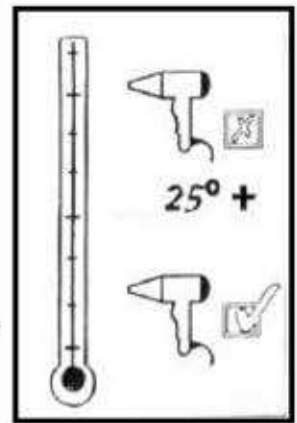
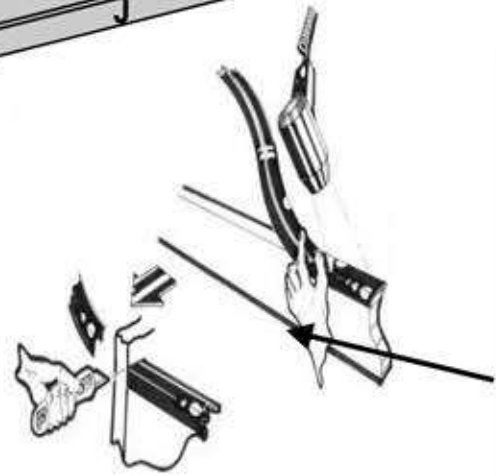
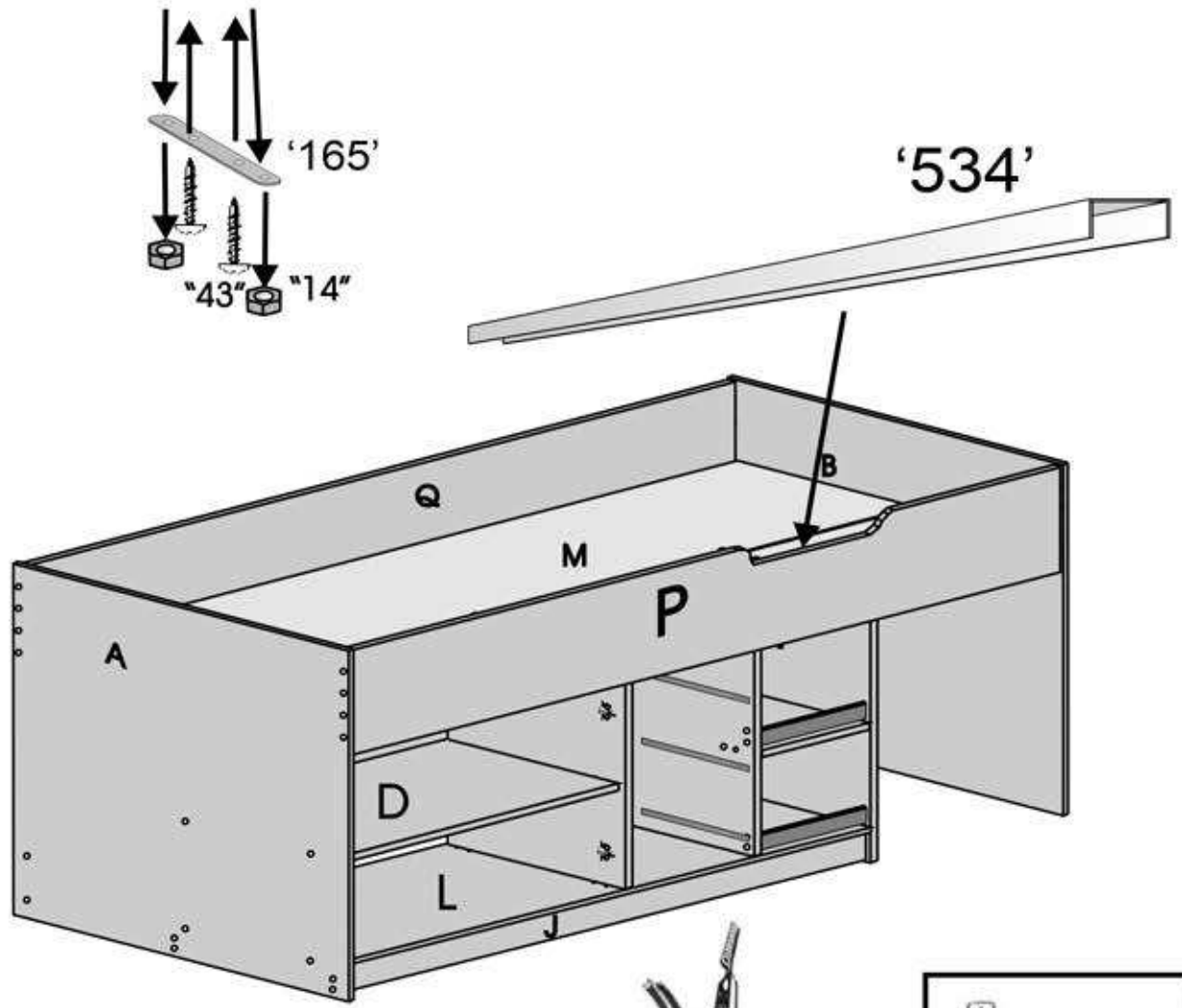
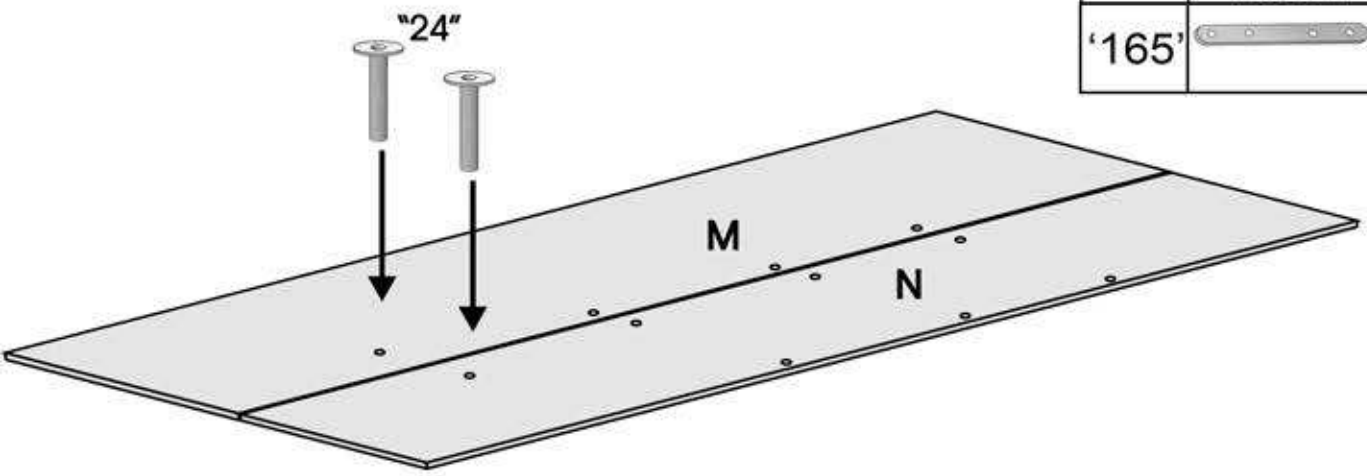
Weir Bed







'13'		30
'106'		3

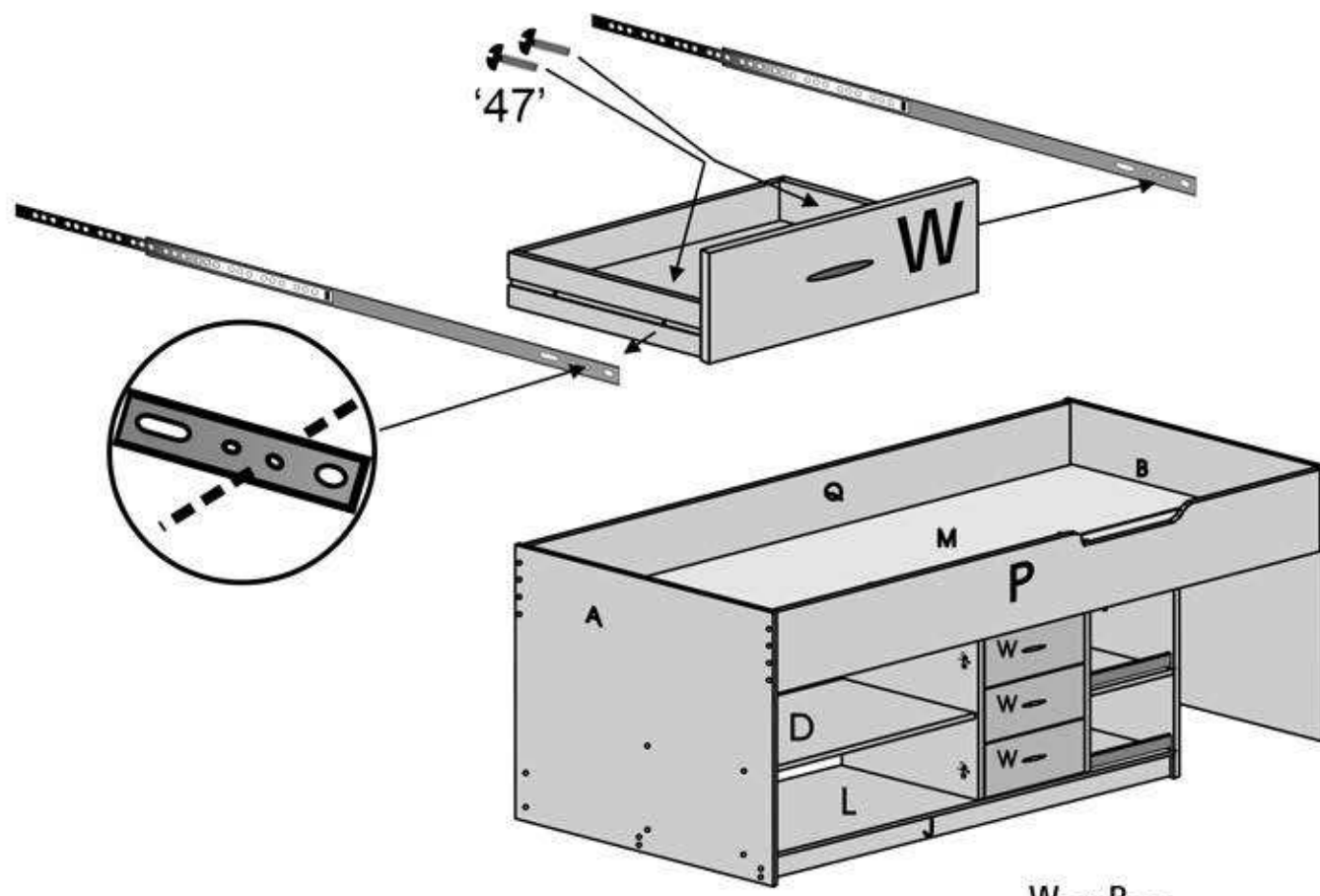
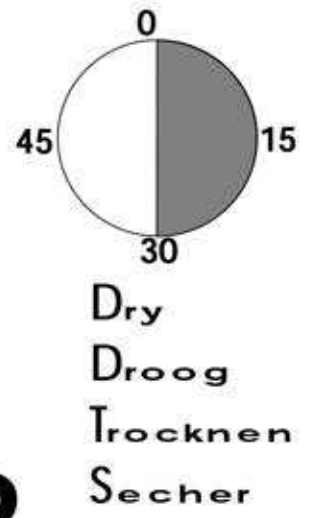
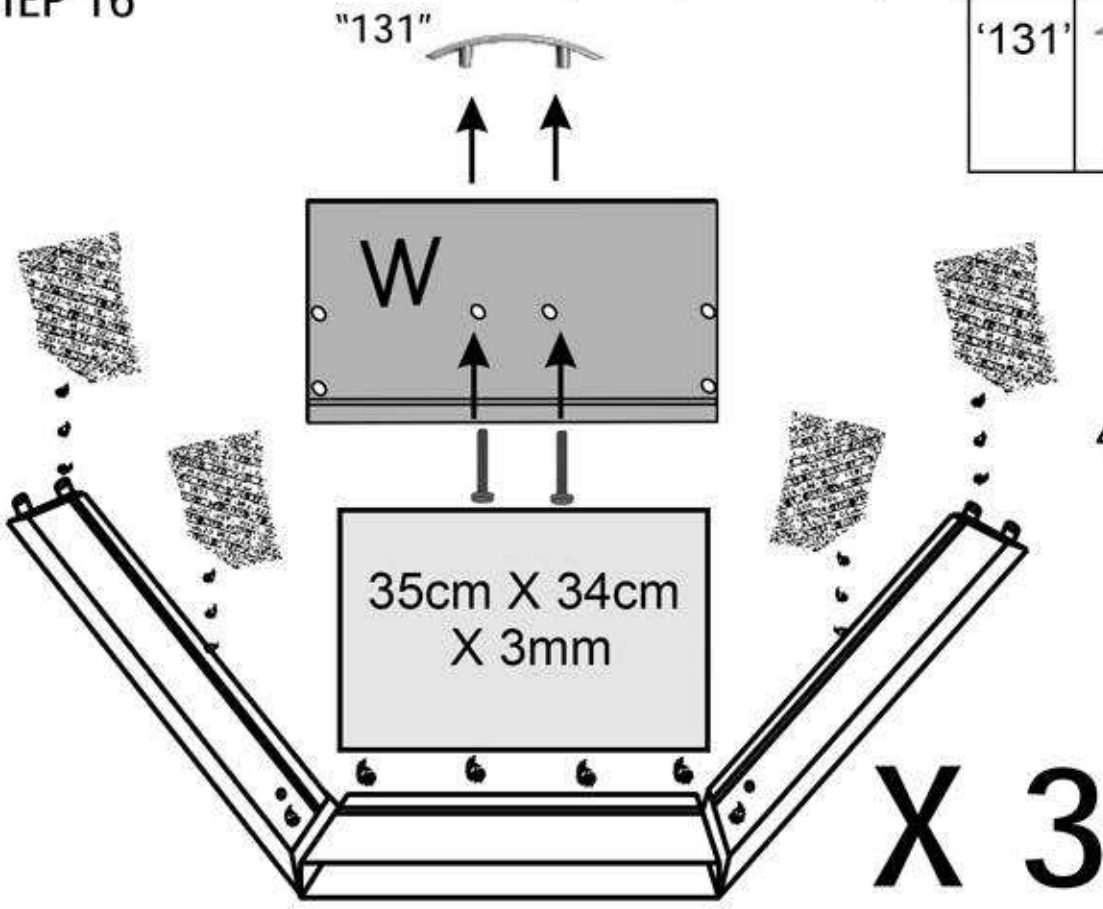


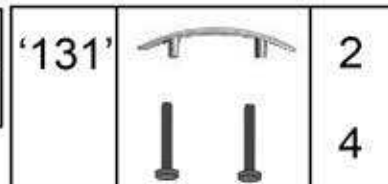
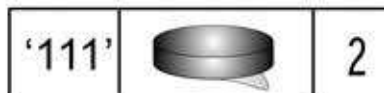
'14'		2	'534'		1	'43'		2
						'24'		2
						'165'		1



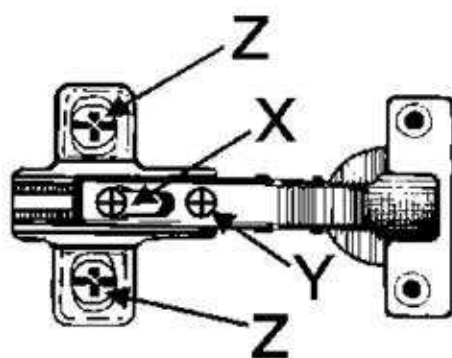
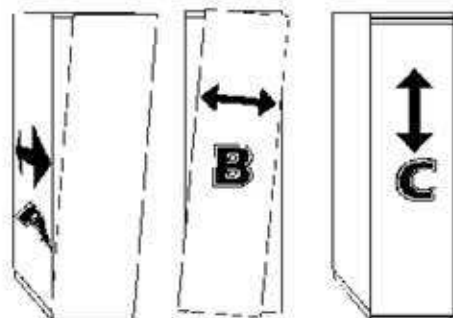
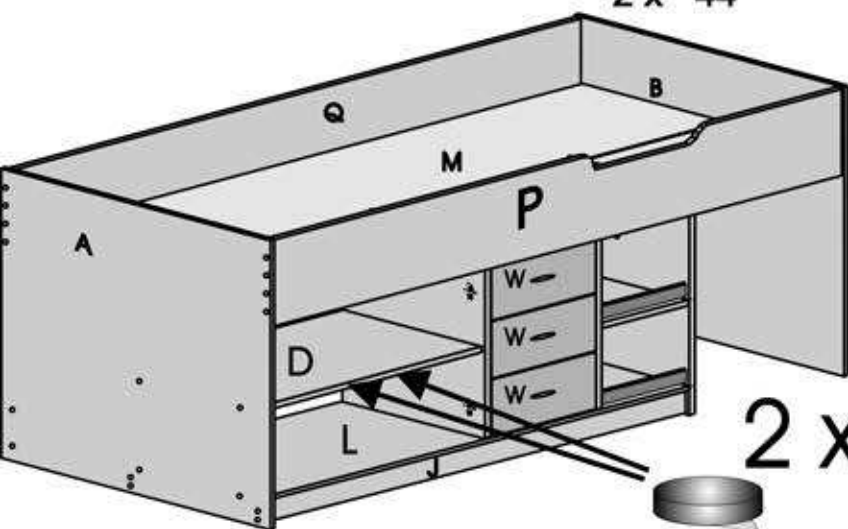
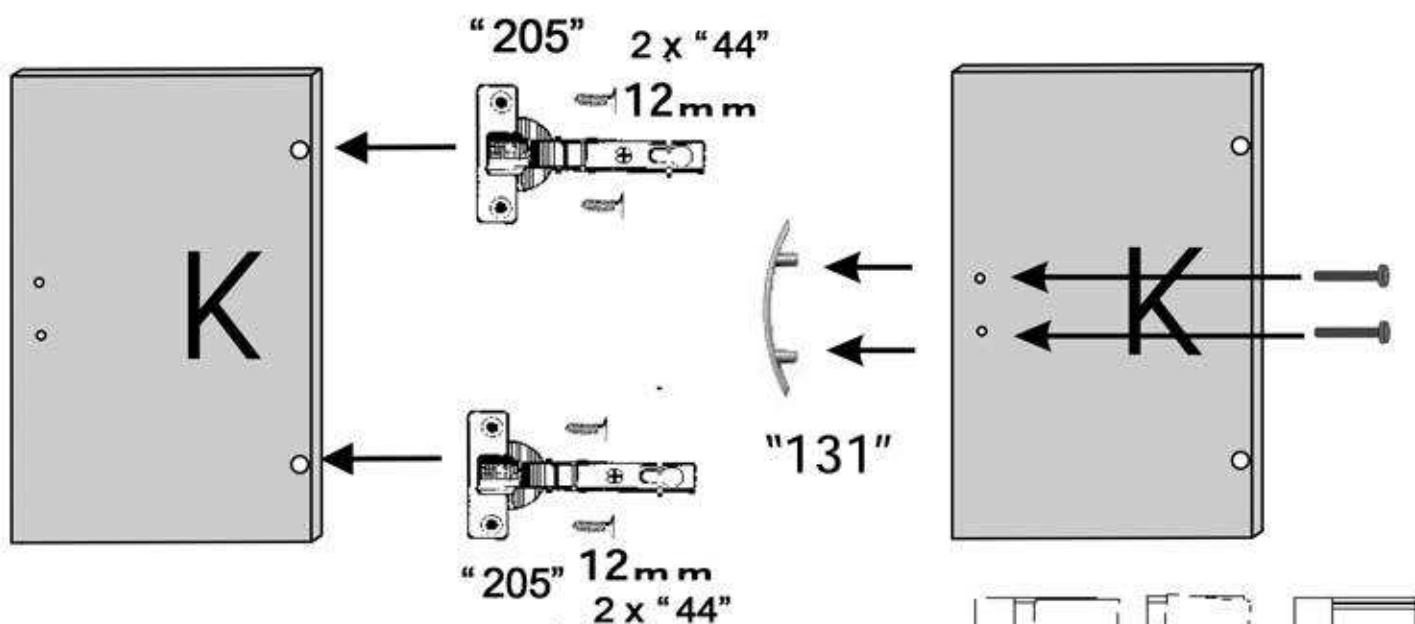
Wool Bed

'47'	 10mm	6	'219'		3
			'131'		3
					6





X 2



After assembly discard any extra fittings.

In het componenten pak zitten extra schroeven etc., na de opbouw kunnen deze weggegooid worden.

Après assemblage, se débarrasser de pièces de plus.

UK Spares and Assembly  
HELPLINE 01572 755110

