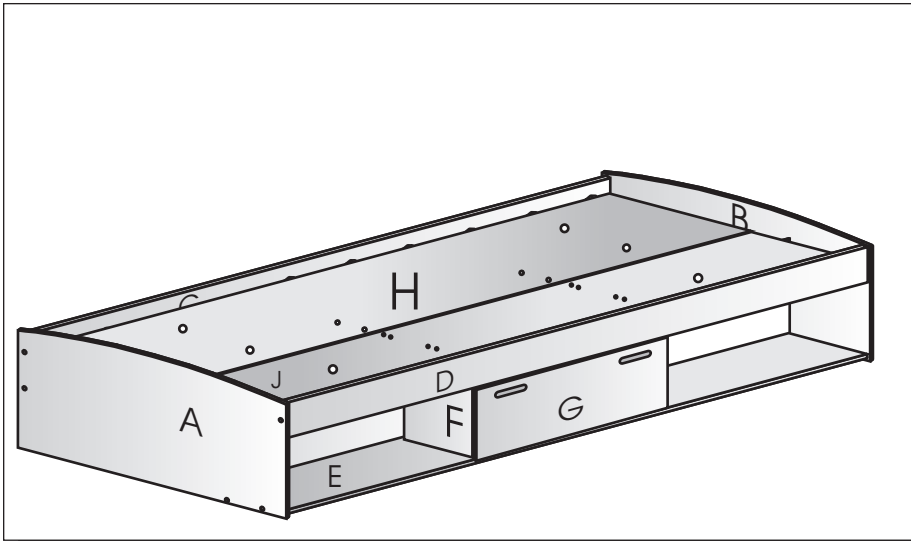
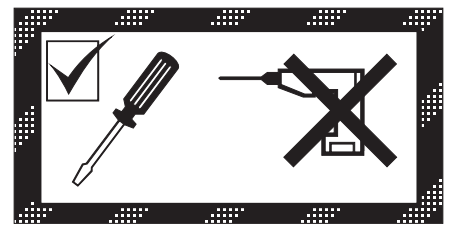


York Bed

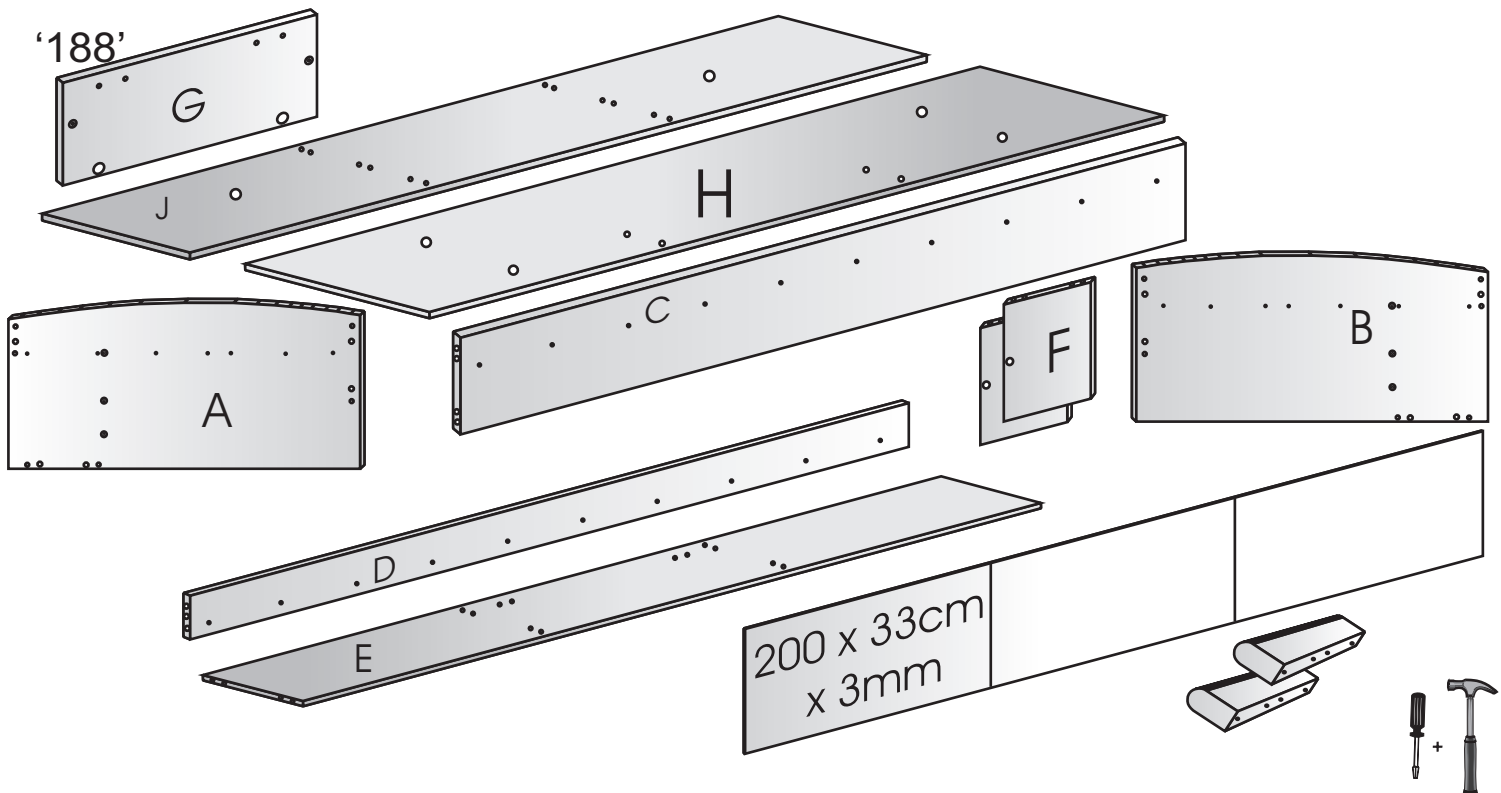


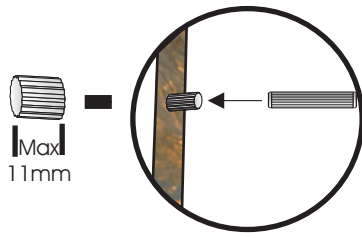
A - 1	G - 1	
B - 1	H - 1	
C - 1	J - 1	
D - 1		
E - 1		
F - 2		

1 - 200 x 33cm x 3mm

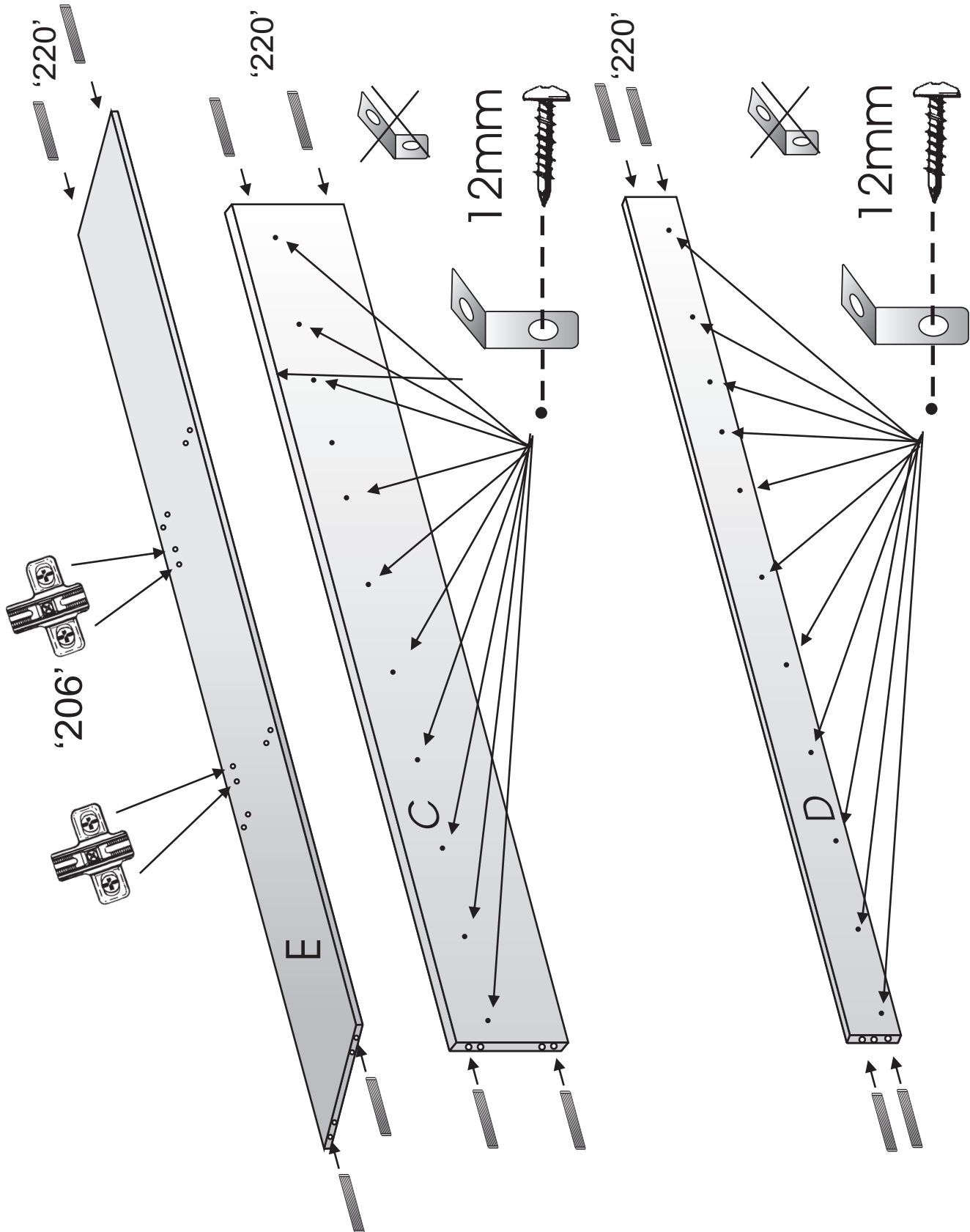
'Stay 20cm'		1
-------------	--	---

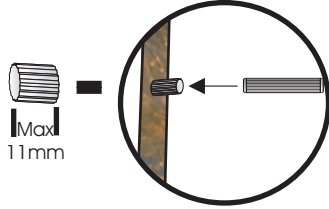
 20 '220'	 30 '13'	 8 12mm '44'	 '205'	 72 12mm '43'	 10 '29'	 6 '106'	 1 '25'
 2	 4 30mm '56'	 2 '206'	 '86'	 4 10mm '55'	 16 45mm '30'		 36 '155'







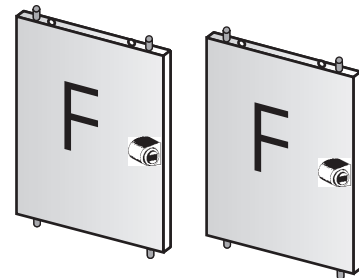
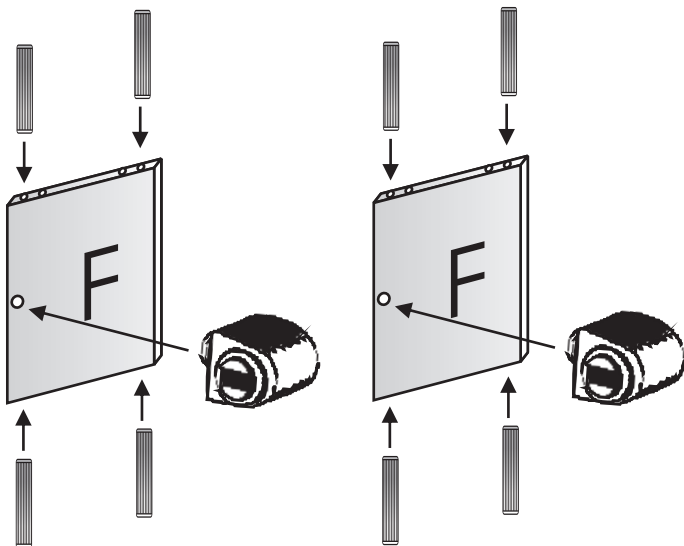
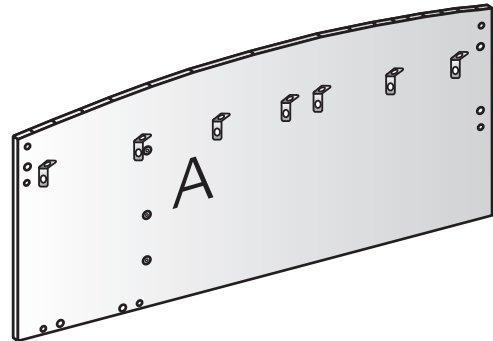
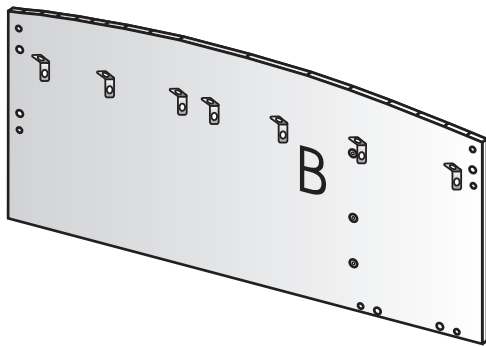
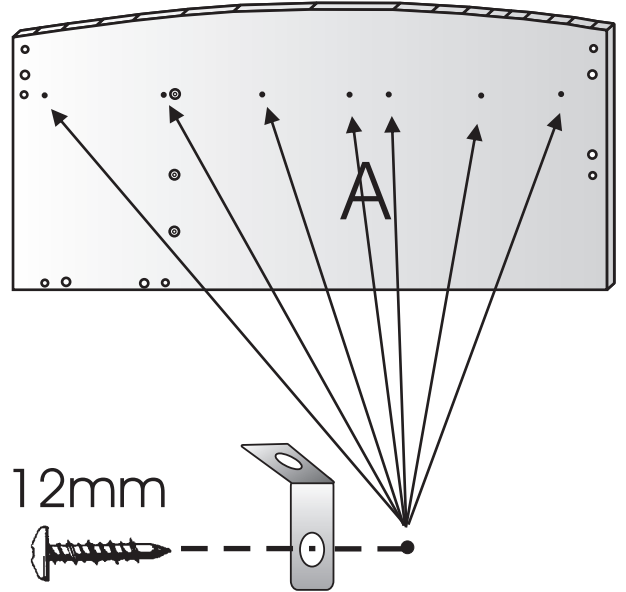
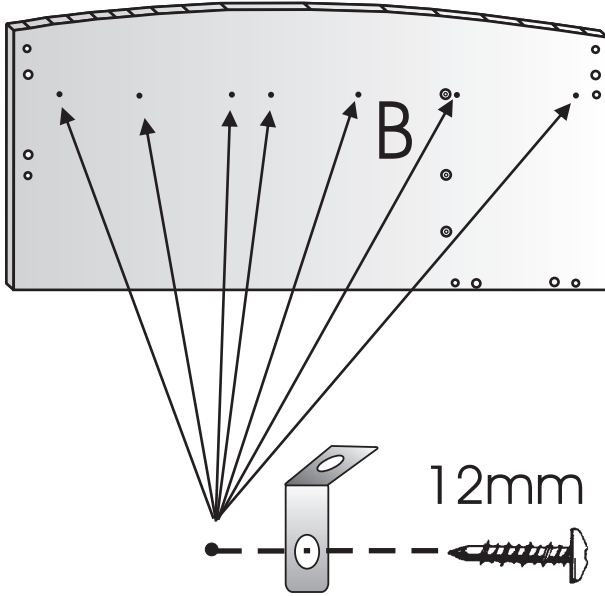




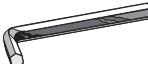
'155'		22	'220'		12
'43'		22	'206'		2

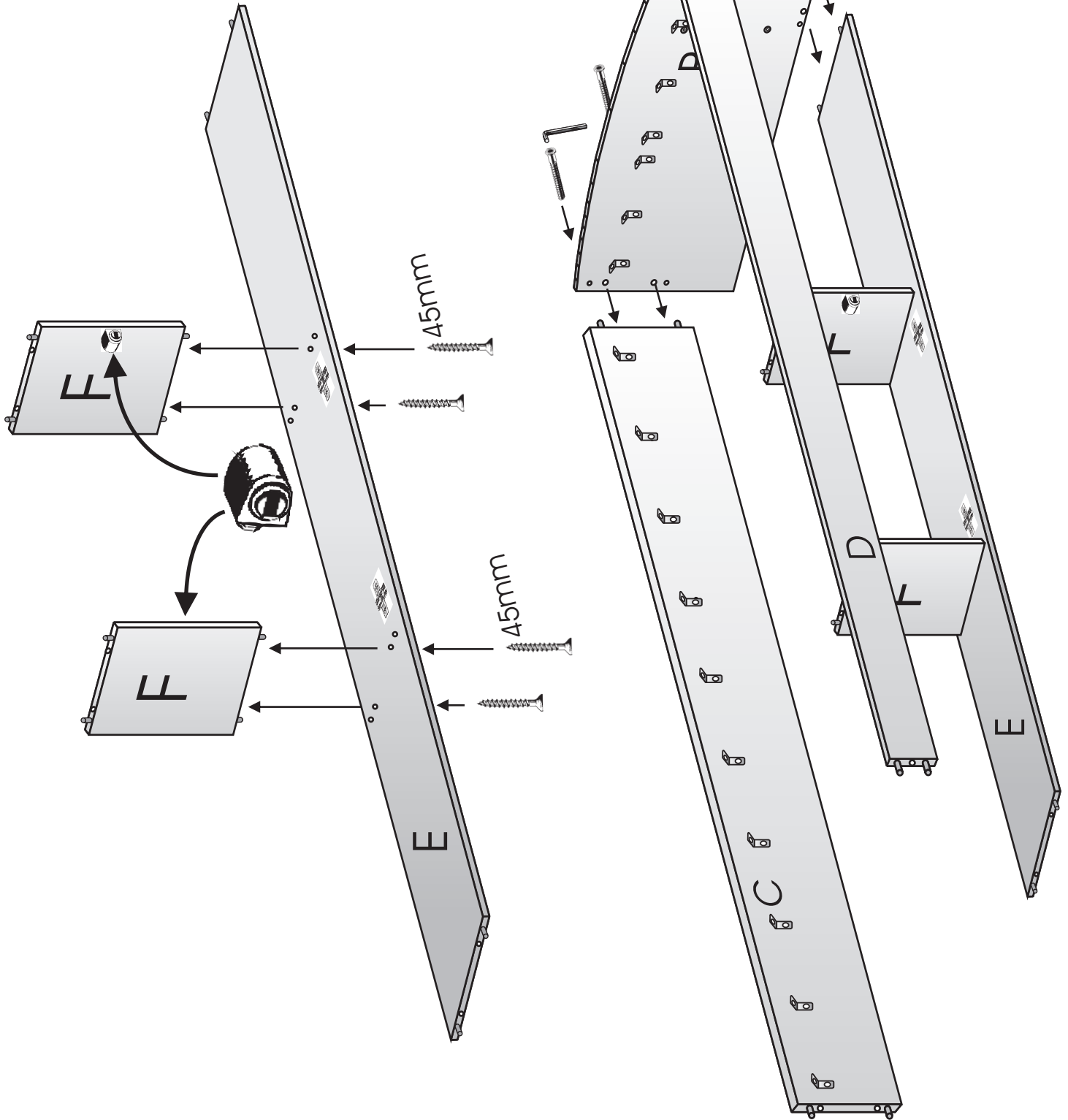






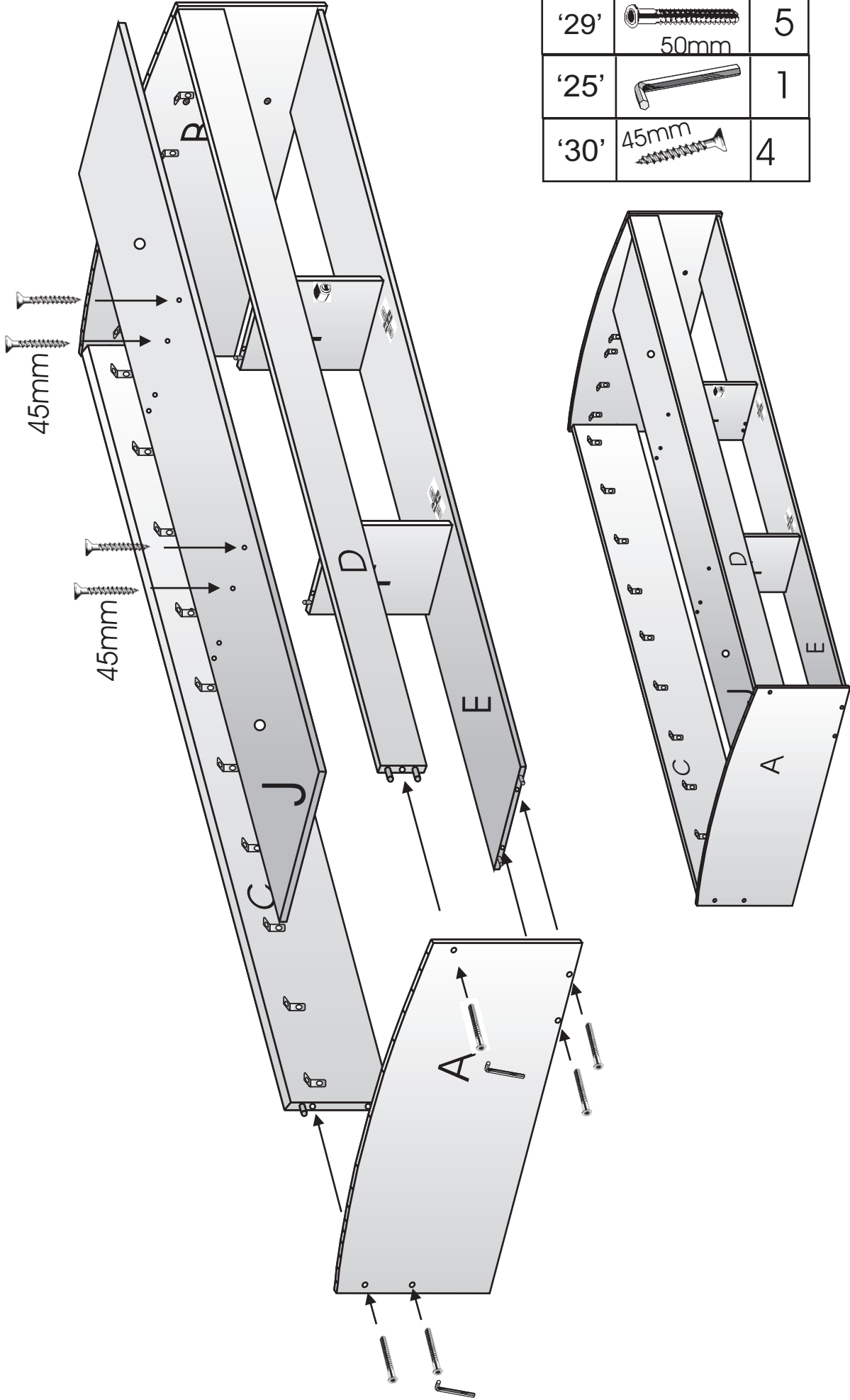
'220'		8	'155'		14
'188'		2	'43'		14





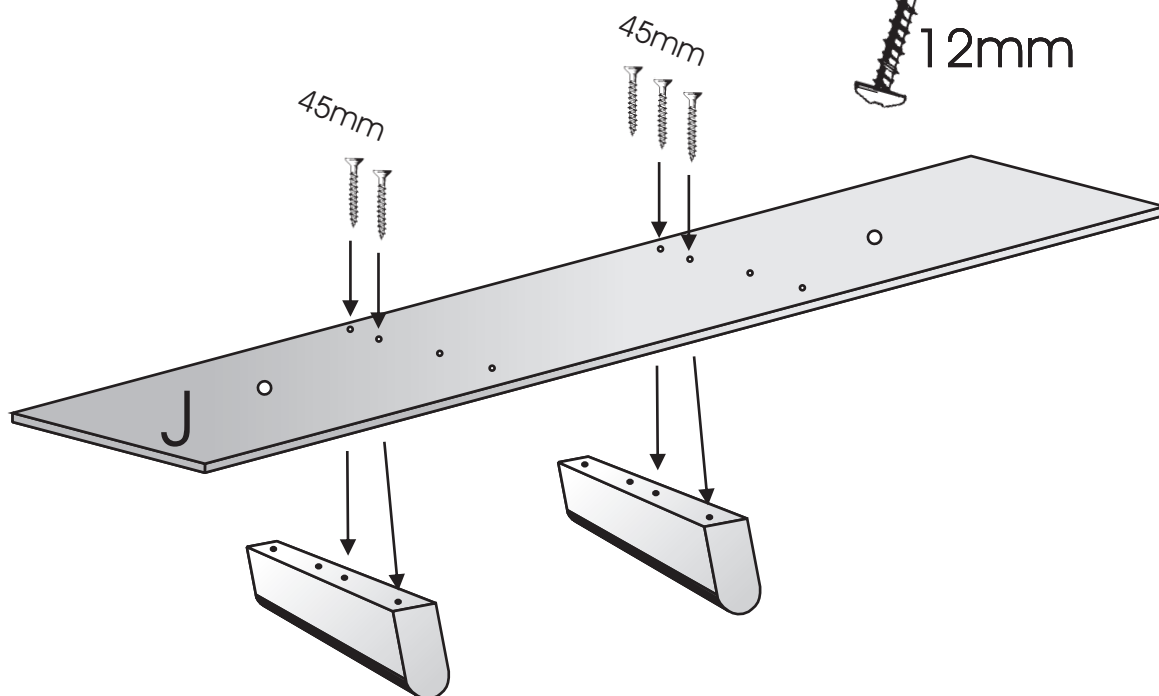
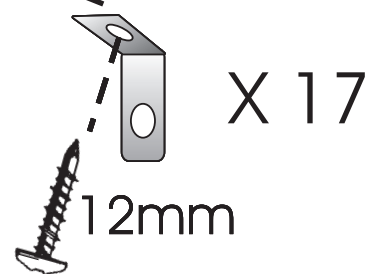
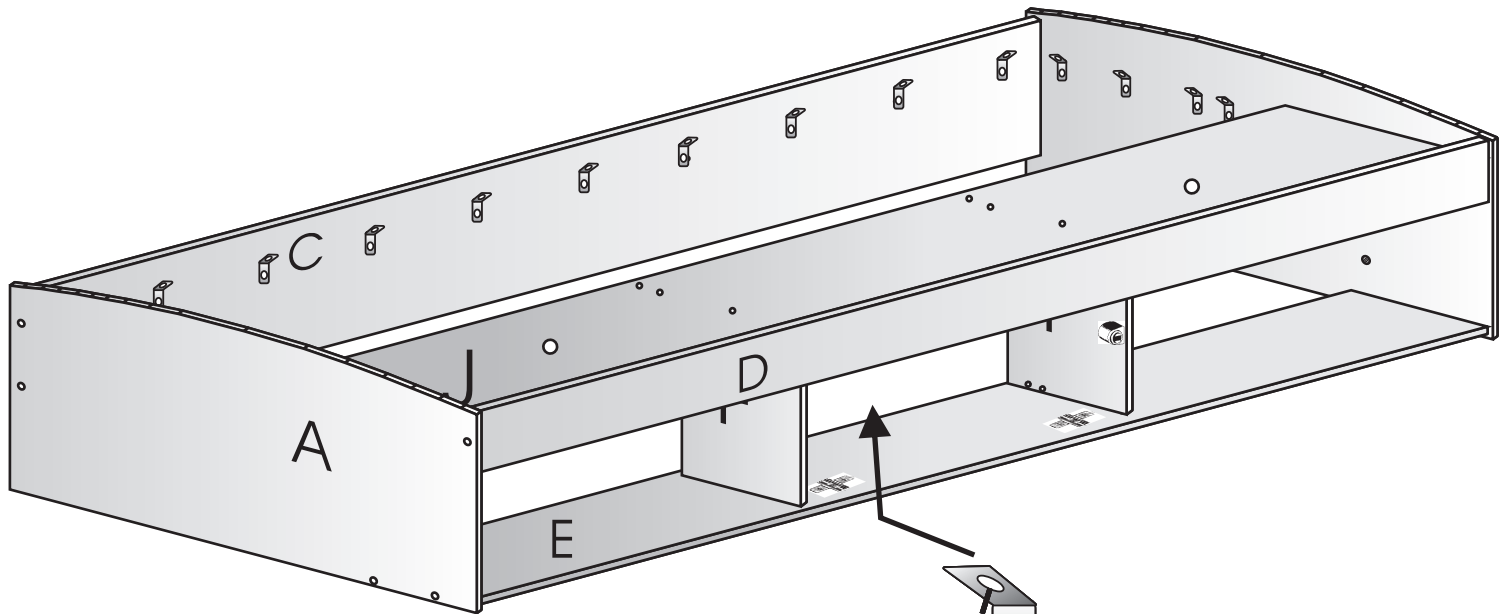
'30'	45mm 	4
'29'	50mm 	5
'25'		1





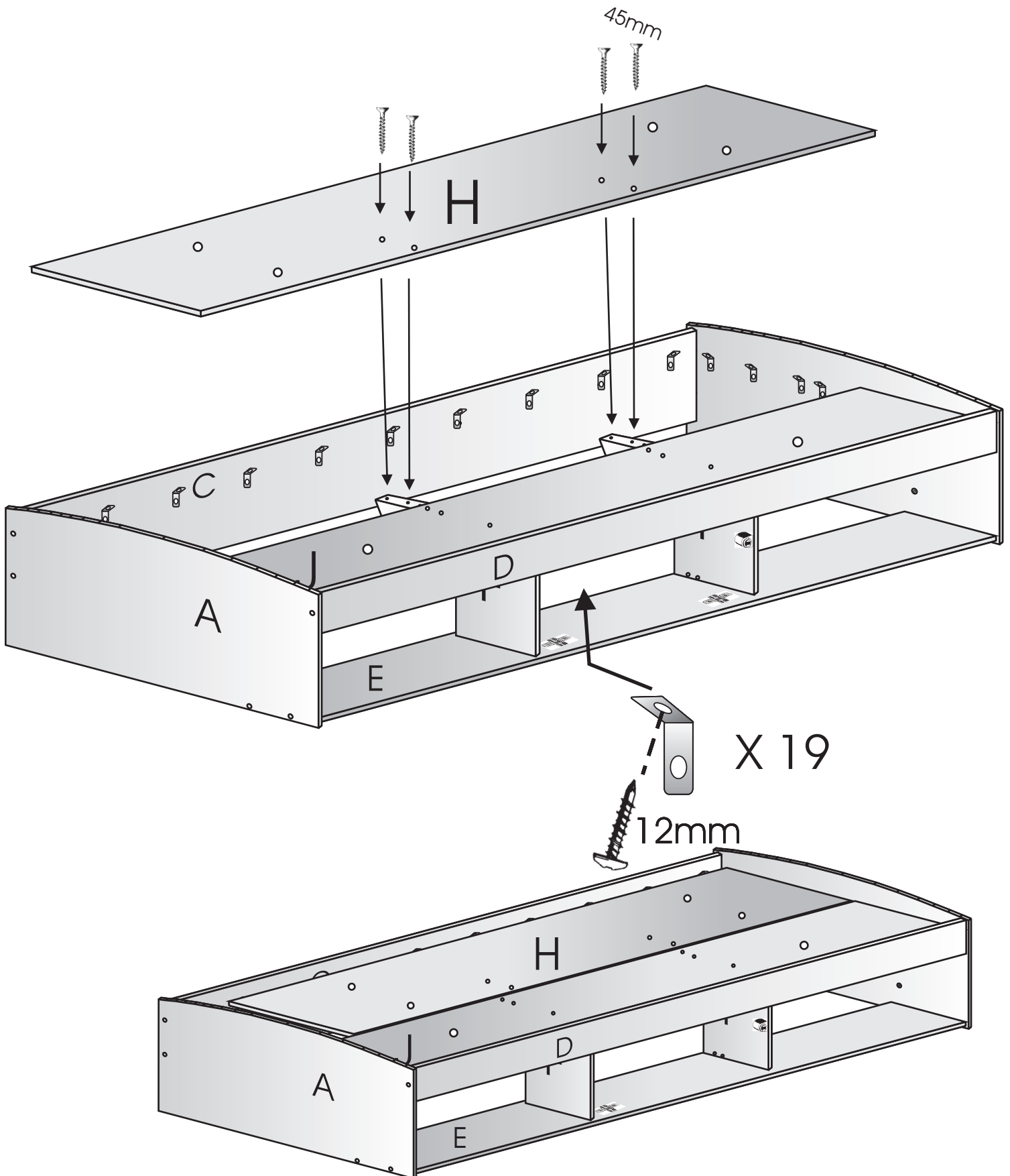
'29'		5
'25'		1
'30'		4





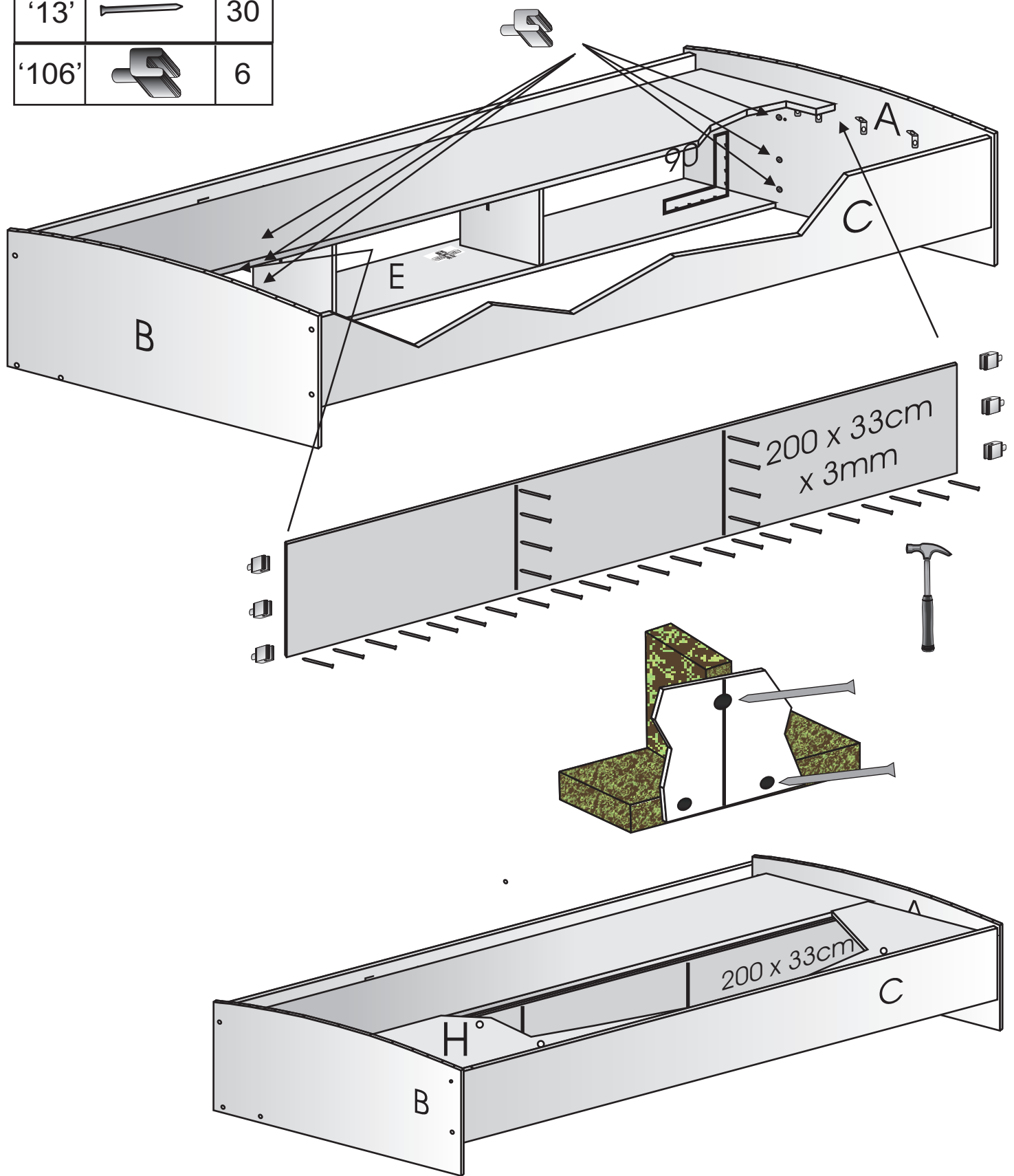
'30'	 45mm	4
'43'	 12mm	17

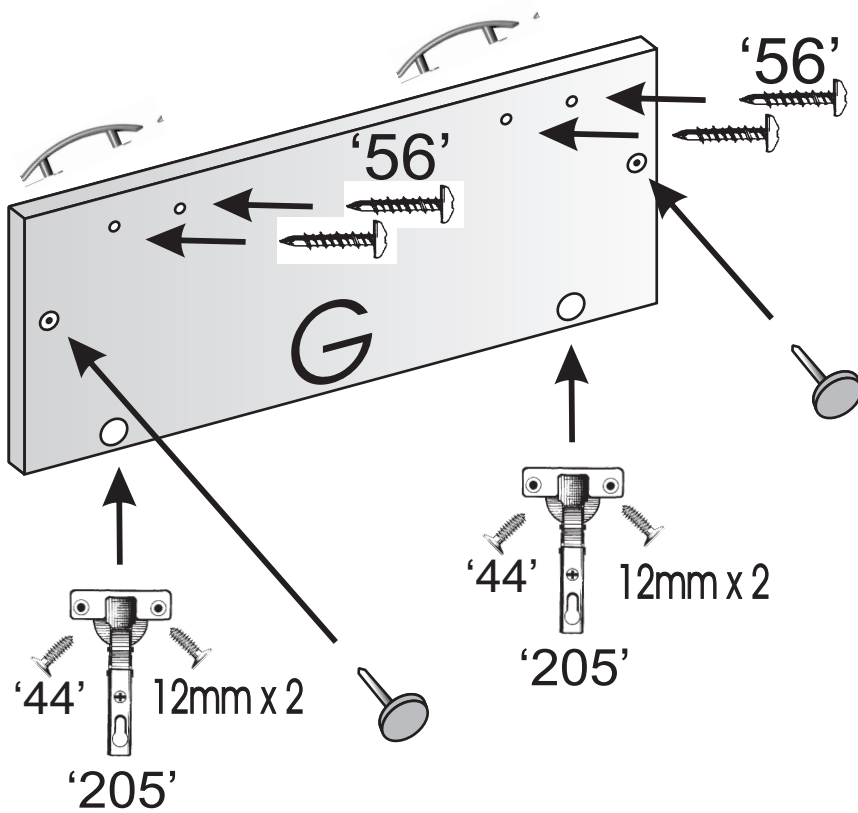


'30'	 45mm	4
'43'	 12mm	19

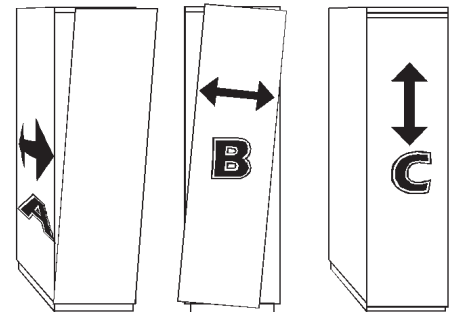


'13'		30
'106'		6





'56'	30mm	4
'86'		2
'205'		2
'44'	12mm	4
'188B'		2



**ENGLISH
DOOR ADJUSTMENT**

Fit the door when the cabinet is in the final position.

A DEPTH ADJUSTMENT

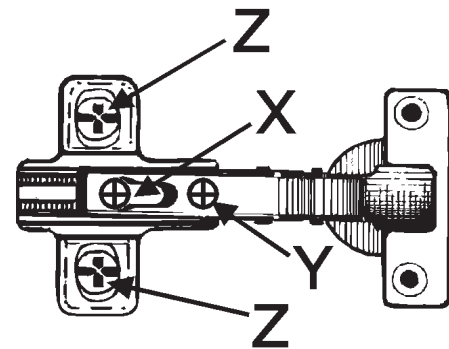
Release the screw X to adjust the door for forward or back movement. Tighten the screw X when correct.

B SIDE ADJUSTMENT

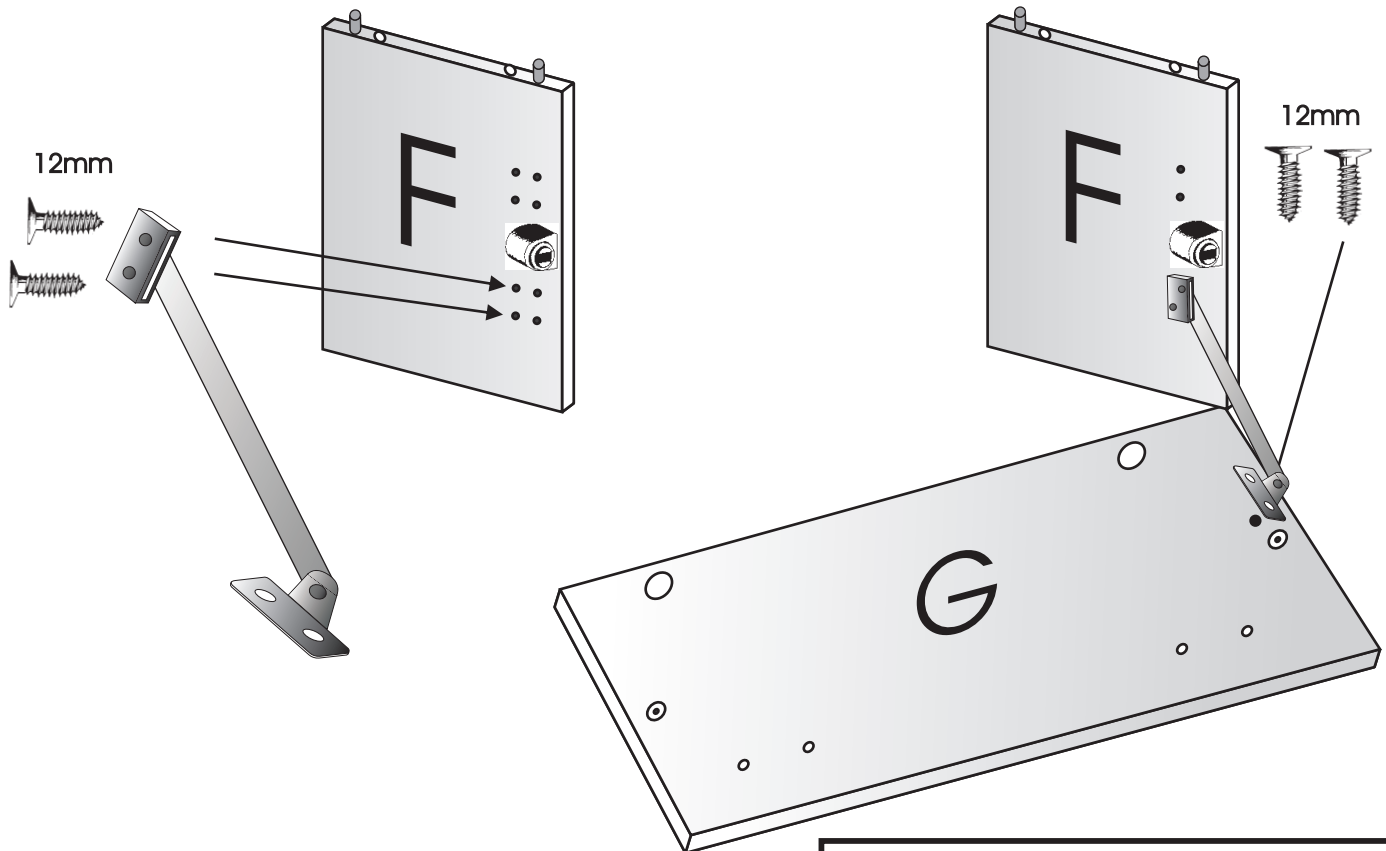
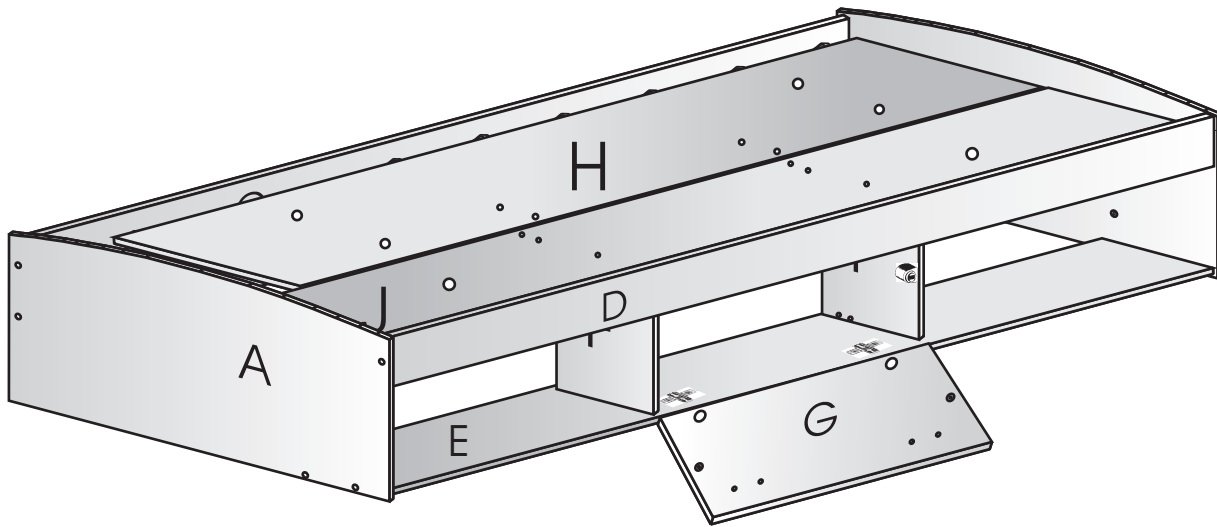
Loosen screw X, adjust screw Y in or out, tighten screw X.

Z HEIGHT ADJUSTMENT

Release the hinge plate screws and adjust up or down. Tighten when correct.



'Stay 20cm'		1	'44'		4
-------------	---	---	------	--	---



After assembly discard any extra fittings.

In het componenten pak zitten extra schroeven etc., na de opbouw kunnen deze weggegooid worden.

Après Assemblage, se débarrasser de pièces de plus.

UK Spares and Assembly HELPLINE 01572 755110